

NO. 4YU36 Sewage/Trash Centrifugal Pump

Nonsubmersible sewage/trash pumps are self-priming with up to 20-ft. lift and suitable for liquid transfer, irrigation, clear or gray water transfer, sewage treatment, and process applications. These manually operated pumps are designed for permanent installation and close coupled to continuous-duty motors. Pumps are ideal for use with water and nonflammable liquids compatible with pump component materials in industrial and commercial facilities.



PRODUCT SPECIFICATIONS			
HP	3	GPM of Water @ 70 Ft. of Head	—
Voltage	208-230/460	GPM of Water @ 80 Ft. of Head	—
Amps	8.3-7.6/3.8	GPM of Water @ 90 Ft. of Head	—
Phase	3	Max. Head (Ft.)	60
Motor Enclosure	TEFC	Max. Suction Lift	20 ft.
Motor RPM	3450	Max. Case Pressure (PSI)	60
NEMA/IEC Frame	56J	Max. Dia. Solids (In.)	1
Motor Type	3 Phase	Max. Fluid Viscosity	100 SSU
Hz	60	Max. Liquid Temp. (F)	160
Overload Protection	No	Impeller Type	Semi-Open
Max. Ambient Temp.	40°C	Seal Type	Mechanical
Bearing Type	Ball	Housing Material	Cast Iron
Duty	Continuous	Impeller Material	Stainless Steel CF8M
Inlet/Outlet (In.)	2	Seal Material	Carbon/Ceramic/Buna-N
Height (In.)	8 ²³ / ₃₂	Shaft Material	Stainless Steel
Length (In.)	21 ¹⁷ / ₆₄	Volute Material	Cast Iron
Width (In.)	8 ⁵ / ₈	O-Ring Material	Buna-N
GPM of Water @ 20 Ft. of Head	110	Agency Compliance	cULus
GPM of Water @ 25 Ft. of Head	100	Application	Process, Liquid Transfer, Irrigation, Clear or Gray Water and Sewage Treatment
GPM of Water @ 30 Ft. of Head	77	Includes	Strainer
GPM of Water @ 40 Ft. of Head	54	Manufacturers Warranty Length	1 Year
GPM of Water @ 50 Ft. of Head	30		
GPM of Water @ 60 Ft. of Head	—		

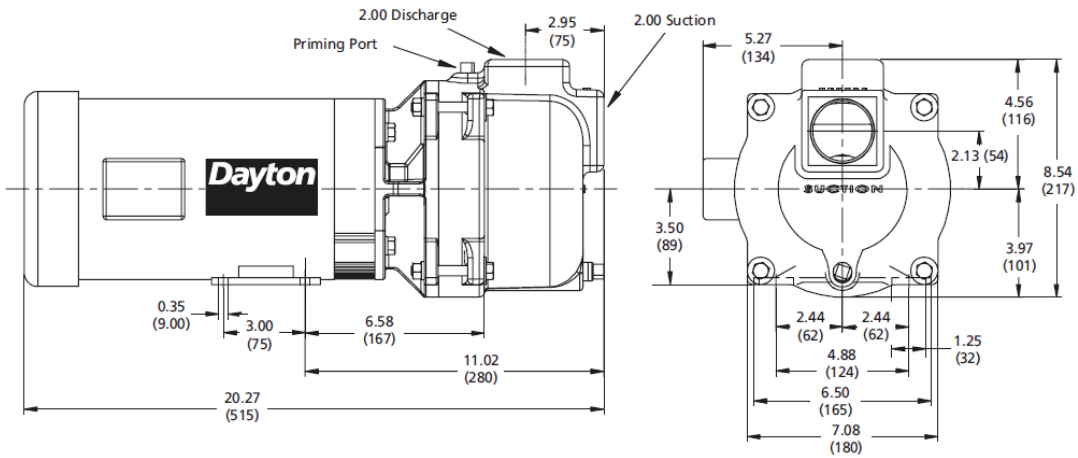


The Grainger Choice badge signals a broad selection of products that deliver quality and value, brought to you by Grainger.

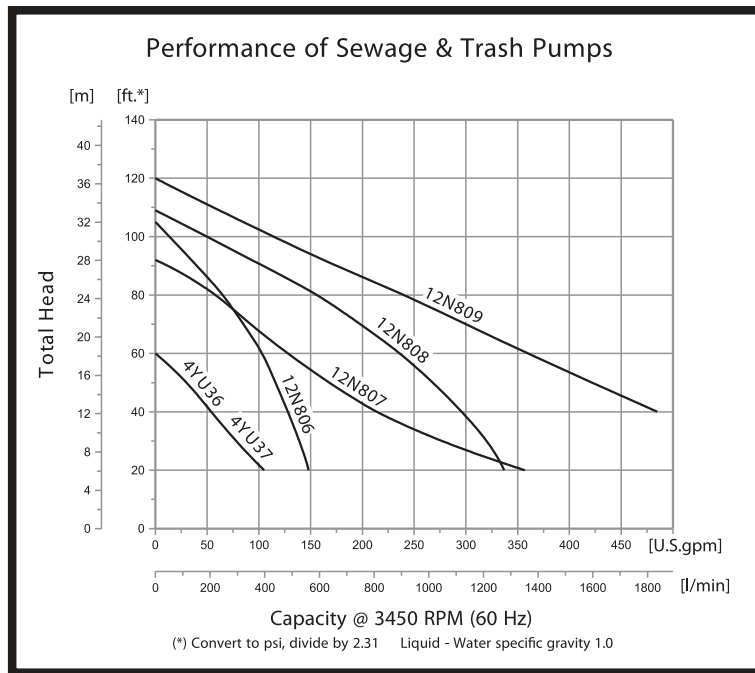
PRODUCT DIMENSIONS

Dimensions

Models 4YU36A and 4YU37A



PRODUCT PERFORMANCE



This associated information and specifications are provided for reference and evaluation purposes only, and is subject to change without notice. Please visit Grainger.com® for the latest specifications.

Call or visit your local branch or go to grainger.com/dayton for complete product line information.

