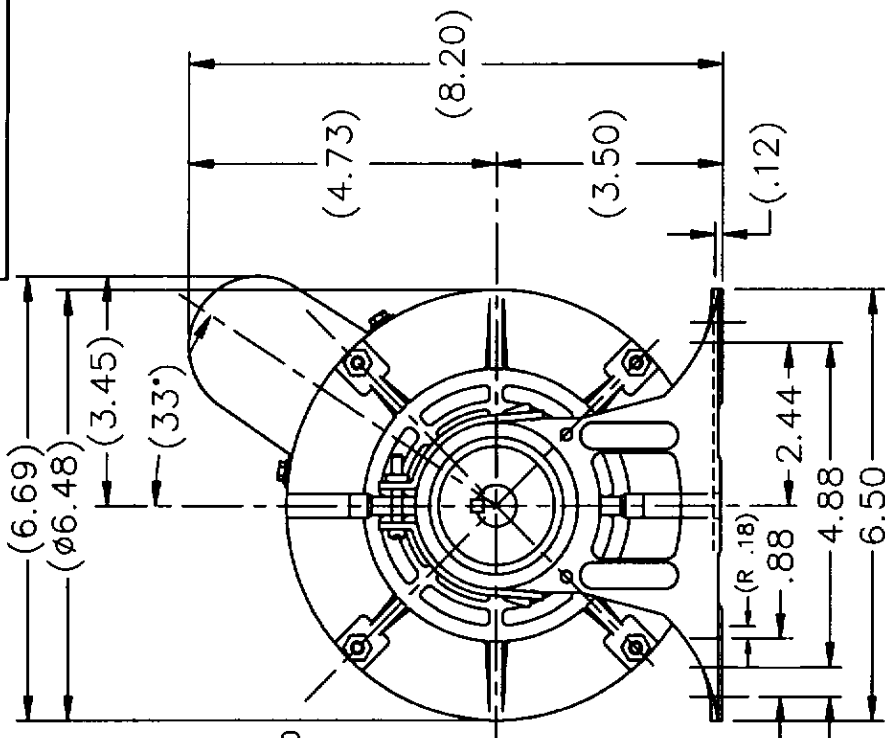
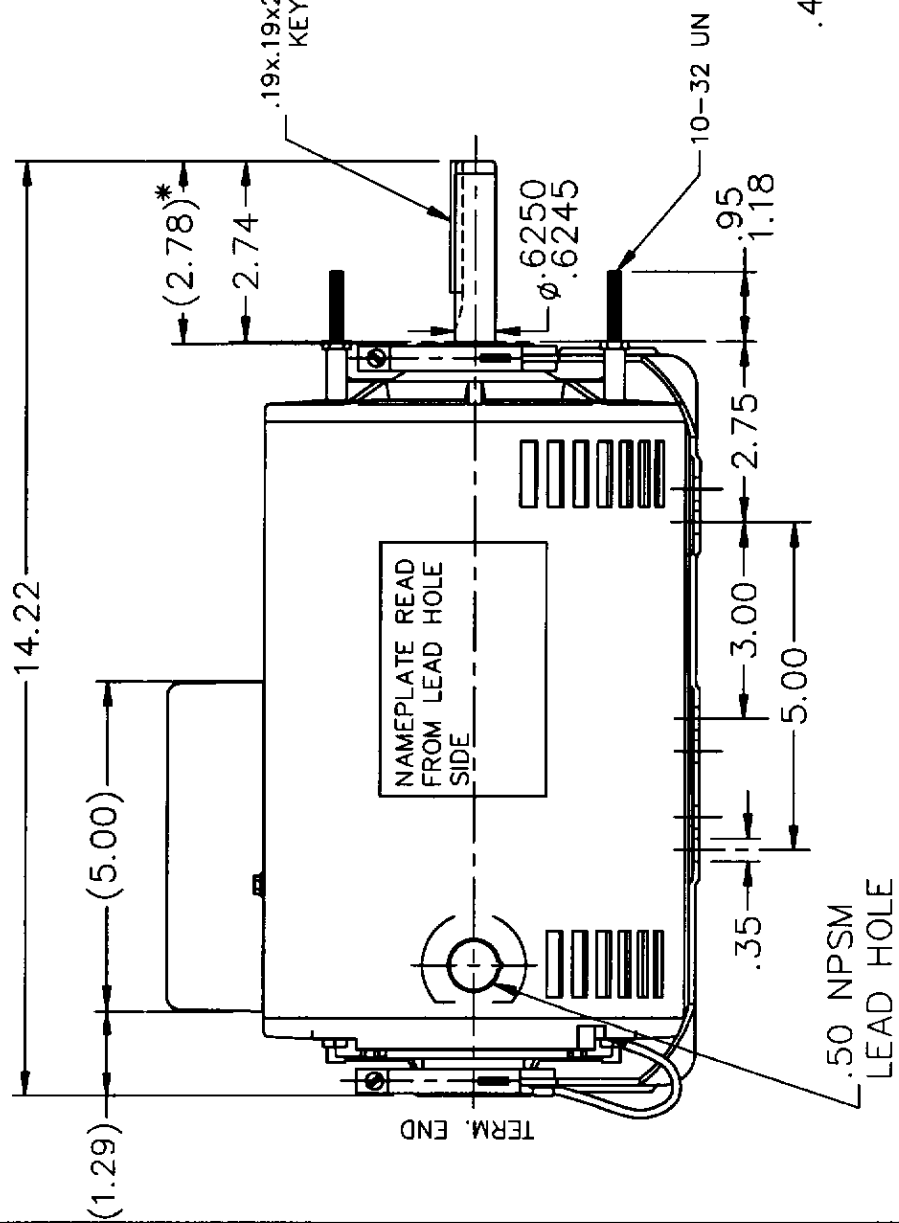


4YU21-0D



\* DIMENSION IS FROM RESILIENT RING END CAP TO END OF SHAFT

NOTES:  
1. MOTOR MUST BE ROTATED TO PROVIDE SOCKET CLEARANCE FOR GROUND SCREW, MAXIMUM (10 DEGREES).



TOLERANCES UNLESS SPECIFIED		DAYTON ELECTRIC MFG. CO. 5859 WEST HOWARD ST. MILES, IL 60714 USA		DRAWN NJS 02-28-2005
DEC.	INCHES	TITLE OUTLINE		CHK ML 03-02-2005
.X	±.1	56 FR. - BB - DR.PR. - RESIL. BASE		APPD TOM 03-02-2005
.XX	±.03	MATERIAL		SCALE 11=32
.XXX	±.005	FINISH		REF
.XXXX	±.0005	CAD FILE 4YU21_0D		FNF
CHK	ANG ±7'30"	DIST WP		PREV
BY & DATE		RFP 03-02-2005		REV.
THIS DRAWING IN DESIGN AND DETAIL IS OUR PROPERTY AND MUST NOT BE USED EXCEPT IN CONNECTION WITH OUR WORK. ALL RIGHTS OF DESIGN AND INVENTION ARE RESERVED. THIS IS AN ELECTRONICALLY GENERATED DOCUMENT - DO NOT SCALE THIS PRINT		SIZE A		4YU21-0D