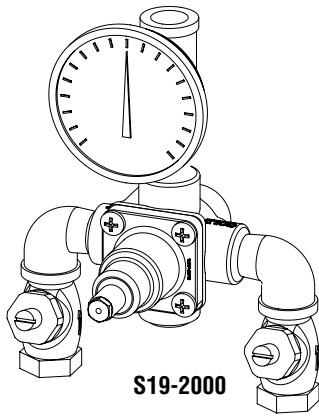


Parts & Service

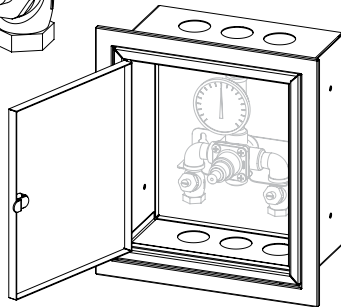
S19-2000, S19-2000EFX Series Thermostatic Mixing Valve with Optional Cabinet

Table of Contents

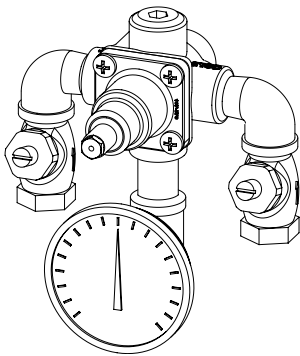
| | |
|--|---|
| Parts Breakdown - Prior to June 2008 | 2 |
| Parts Breakdown - June 2008 to July 2012 | 3 |
| Parts Breakdown - After July 2012 | 4 |



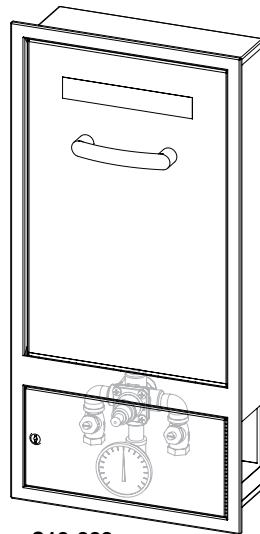
S19-2000



**S86-066
(Cabinet Only)**

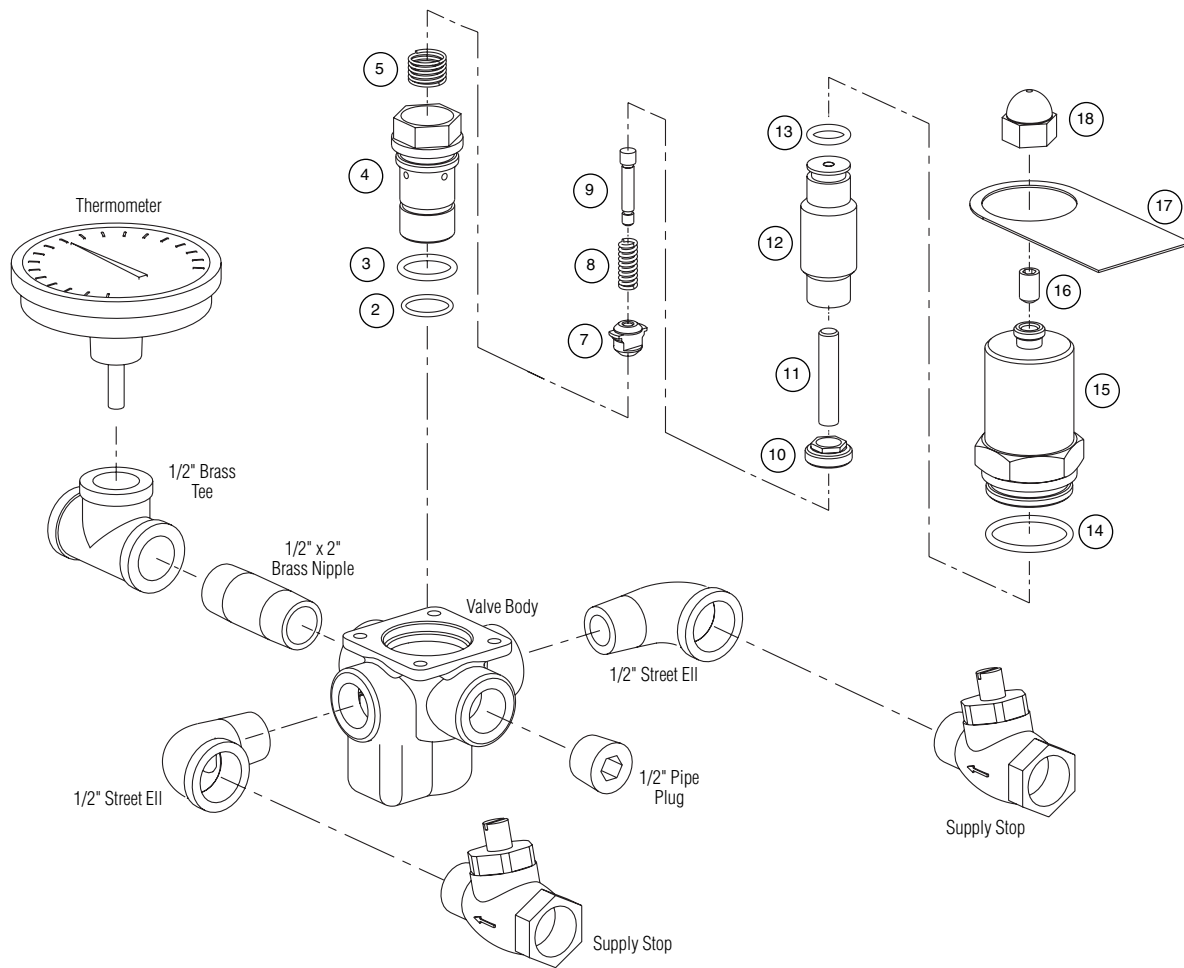


S19-2000EFX



**S19-292
(Cabinet Only)**

Parts Breakdown and Service Kits - Prior to June 2008



Thermostat Kit S65-171

| Item | Qty. | Description |
|------|------|-------------|
| 12 | 1 | Thermostat |
| 13 | 1 | O-Ring |
| 14 | 1 | O-Ring |

Piston & Liner Kit S65-172

| Item | Qty. | Description |
|------|------|----------------|
| 2 | 1 | O-Ring |
| 3 | 1 | O-Ring |
| 4 | 1 | Liner |
| 5 | 1 | Spring |
| 7 | 1 | Piston |
| 8 | 1 | Spring |
| 9 | 1 | Overheat Screw |

O-Ring Kit S65-170

| Item | Qty. | Description |
|------|------|-------------|
| 2 | 1 | O-Ring |
| 3 | 1 | O-Ring |
| 13 | 1 | O-Ring |
| 14 | 1 | O-Ring |

Center Section Kit S65-303

| Item | Qty. | Description |
|------|------|----------------|
| 2 | 1 | O-Ring |
| 3 | 1 | O-Ring |
| 4 | 1 | Liner |
| 5 | 1 | Spring |
| 7 | 1 | Piston |
| 8 | 1 | Spring |
| 9 | 1 | Overheat Screw |
| 10 | 1 | Upper Seat |
| 11 | 1 | Pushrod |
| 12 | 1 | Thermostat |
| 13 | 1 | O-Ring |
| 14 | 1 | O-Ring |
| 15 | 1 | Control Cap |
| 16 | 1 | Set Screw |
| 17 | 1 | Nameplate |
| 18 | 1 | Acorn Nut |

Flexible Connection Lines for S19-2000EFX

When used with S19-292, order Part No. 269-653 (3 supplied with unit).

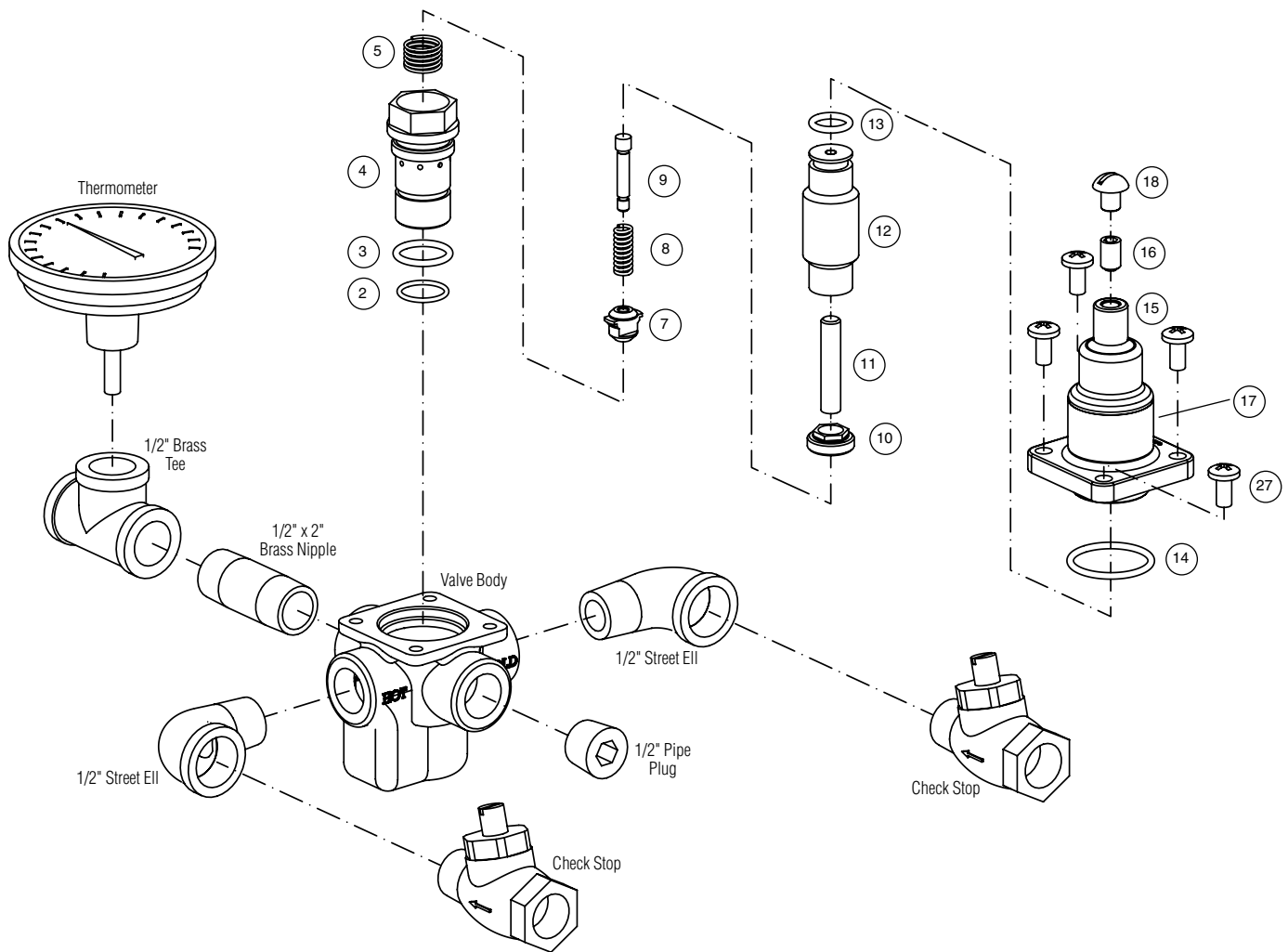


Kit numbers for rough brass finish and standard range thermostat. Contact Bradley for other configurations.



As of November 2001, the piston (Item 7) has replaced the seal holder and seal as a direct replacement.

Parts Breakdown and Service Kits - June 2008 to July 2012



Thermostat Kit S65-171

| Item | Qty. | Description |
|------|------|-------------|
| 12 | 1 | Thermostat |
| 13 | 1 | O-Ring |
| 14 | 1 | O-Ring |

Piston & Liner Kit S65-172

| Item | Qty. | Description |
|------|------|----------------|
| 2 | 1 | O-Ring |
| 3 | 1 | O-Ring |
| 4 | 1 | Liner |
| 5 | 1 | Spring |
| 7 | 1 | Piston |
| 8 | 1 | Spring |
| 9 | 1 | Overheat Screw |

O-Ring Kit S65-170

| Item | Qty. | Description |
|------|------|-------------|
| 2 | 1 | O-Ring |
| 3 | 1 | O-Ring |
| 13 | 1 | O-Ring |
| 14 | 1 | O-Ring |

Center Section Kit S65-303

| Item | Qty. | Description |
|------|------|----------------|
| 2 | 1 | O-Ring |
| 3 | 1 | O-Ring |
| 4 | 1 | Liner |
| 5 | 1 | Spring |
| 7 | 1 | Piston |
| 8 | 1 | Spring |
| 9 | 1 | Overheat Screw |
| 10 | 1 | Upper Seat |
| 11 | 1 | Pushrod |
| 12 | 1 | Thermostat |
| 13 | 1 | O-Ring |
| 14 | 1 | O-Ring |
| 15 | 1 | Control Cap |
| 16 | 1 | Set Screw |
| 17 | 1 | Label |
| 18 | 1 | Screw |
| 27 | 4 | 1/4 Screw |

Flexible Connection Lines for S19-2000EFX

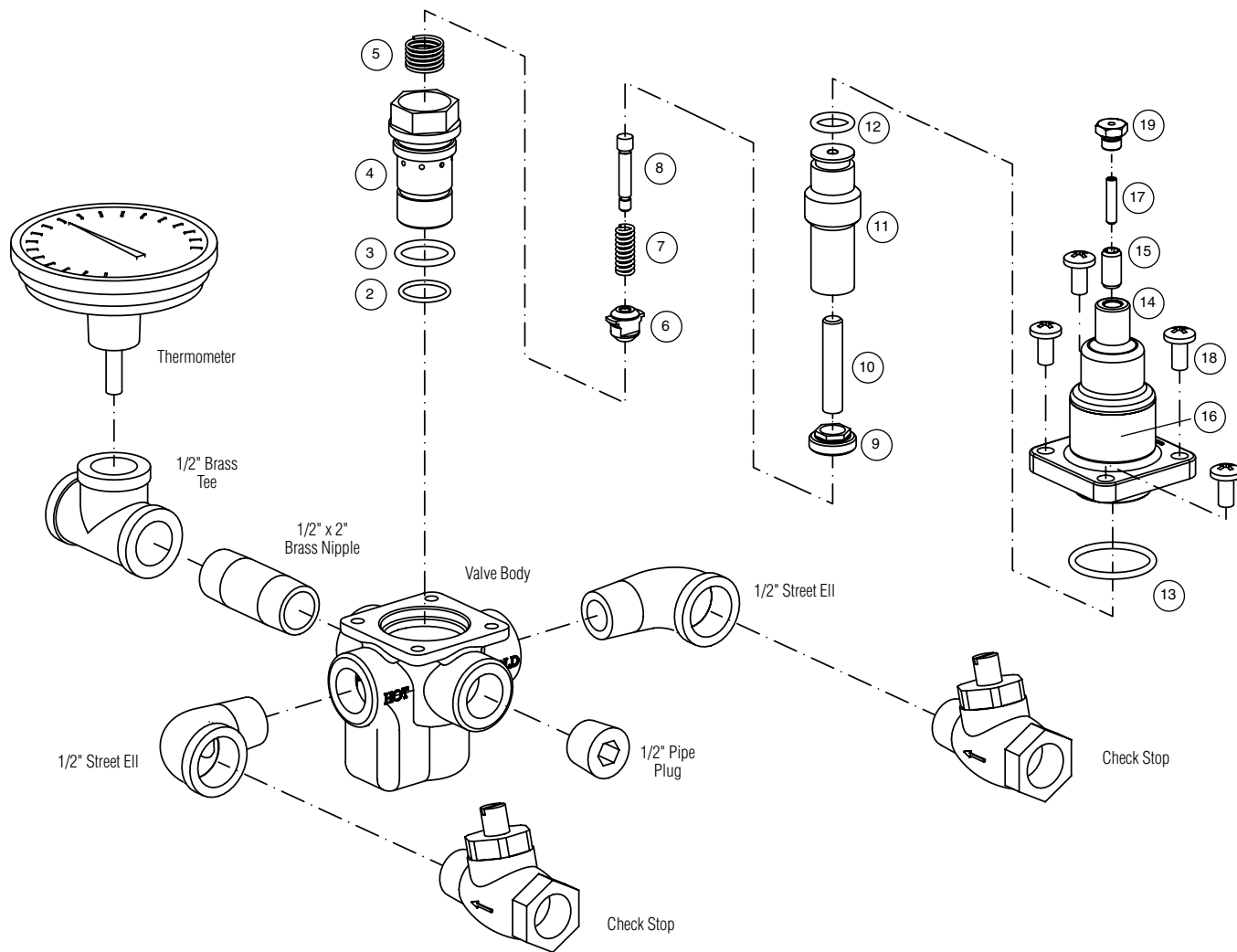
When used with S19-292, order Part No. 269-653 (3 supplied with unit).

Kit numbers for rough brass finish and standard range thermostat. Contact Bradley for other configurations.

As of November 2001, the piston (Item 7) has replaced the seal holder and seal as a direct replacement.

As of June 2008, the brass control cap (item 15) has been replaced by a plastic cap. All internal components are identical.

Parts Breakdown and Service Kits - After July 2012



Thermostat Kit S65-171

| Item | Qty. | Description |
|------|------|-------------|
| 11 | 1 | Thermostat |
| 12 | 1 | O-Ring |
| 13 | 1 | O-Ring |

Piston & Liner Kit S65-172

| Item | Qty. | Description |
|------|------|----------------|
| 2 | 1 | O-Ring |
| 3 | 1 | O-Ring |
| 4 | 1 | Liner |
| 5 | 1 | Spring |
| 6 | 1 | Piston |
| 7 | 1 | Spring |
| 8 | 1 | Overheat Screw |
| 9 | 1 | Upper Seat |

O-Ring Kit S65-170

| Item | Qty. | Description |
|------|------|-------------|
| 2 | 1 | O-Ring |
| 3 | 1 | O-Ring |
| 12 | 1 | O-Ring |
| 13 | 1 | O-Ring |

Center Section Kit S65-303

| Item | Qty. | Description |
|------|------|----------------|
| 2 | 1 | O-Ring |
| 3 | 1 | O-Ring |
| 4 | 1 | Liner |
| 5 | 1 | Spring |
| 6 | 1 | Piston |
| 7 | 1 | Spring |
| 8 | 1 | Overheat Screw |
| 9 | 1 | Upper Seat |
| 10 | 1 | Push Rod |
| 11 | 1 | Thermostat |
| 12 | 1 | O-Ring |
| 13 | 1 | O-Ring |
| 14 | 1 | Control Cap |
| 15 | 1 | Set Screw |
| 16 | 1 | Label |
| 17 | 1 | Set Screw |
| 18 | 4 | 1/4 Screw |
| 19 | 1 | Cap |

Flexible Connection Lines for S19-2000EFX

When used with S19-292, order Part No. 269-653 (3 supplied with unit).



Kit numbers for rough brass finish. Contact Bradley for other configurations.



As of November 2001, the piston (Item 7) has replaced the seal holder and seal as a direct replacement.



As of June 2008, the brass control cap (item 15) has been replaced by a plastic cap. All internal components are identical.



As of July 2012, the Temperature Adjustment Control (items 15, 17 and 19) have been updated and are compatible with all units using the plastic Control Cap (June 2008 to present).