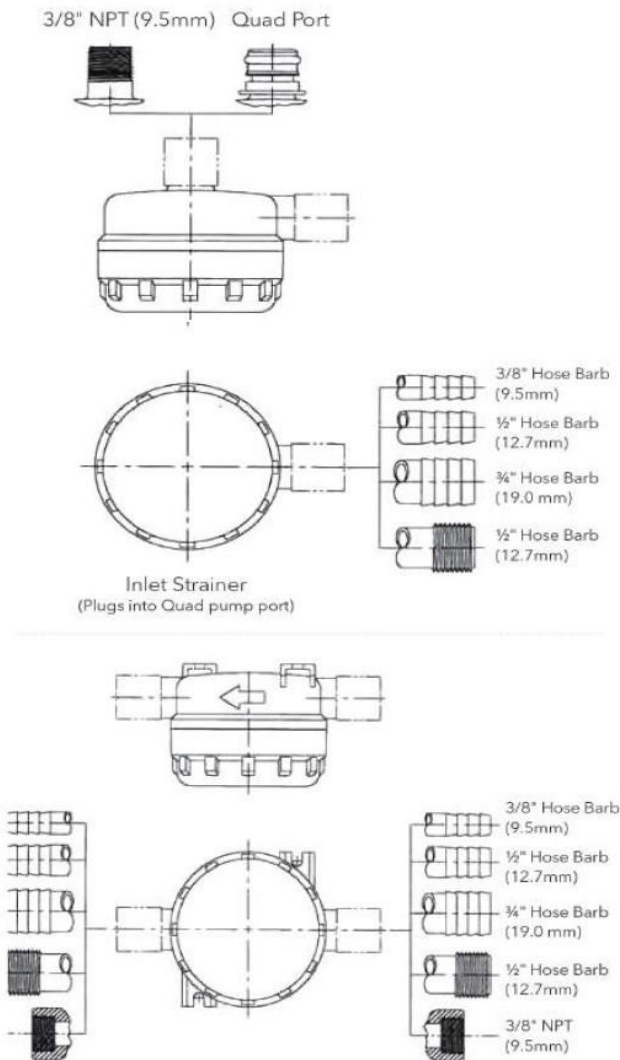


## 1720/1740/1745 Series Inlet Strainers



### DIMENSIONAL DRAWINGS

Unless otherwise stated, dimensions are in inches and (mm).



### FOR INTERNATIONAL & US MARKETS

#### FEATURES

- Low profile design for space-saving installation
- Very strong, reinforced plastic base with clear cover
- Wide variety of port configurations from 3/8" (10mm) to 3/4" (19mm)

#### MODELS

MODEL #	DESCRIPTION
01720-000	3/4" (19mm) x 3/4" (19mm) hose barb SS 20M
01720-002	1/2" (13mm) x 1/2" (13mm) hose barb SS 20M
01720-023	3/8" (10mm) HB x 3/8" (10mm) NPTM 90° SS 20M
01720-102	1/2" (13mm) x 1/2" (13mm) hose barb PP 20M
01720-103	3/8" (10mm) x 3/8" (10mm) hose barb PP 20M
01720-112	1/2" (13mm) x quad port 90° PP 20M
01720-123	3/8" (10mm) HB x 3/8" (10mm) NPTM 90° PP 20M
01720-375	3/8" (10mm) NPTF x 3/8" (10mm) NPTF SS 20M
01740-000	3/4" (19mm) x 3/4" (19mm) hose barb SS 40M
01740-002	1/2" (13mm) x 1/2" (13mm) hose barb SS 40M
01740-003	3/8" (10mm) x 3/8" (10mm) hose barb SS 40M
01740-004	1/2" (13mm) x 1/2" (13mm) SS 40M
01740-010	3/4" (19mm) x quad port 90° SS 40M
01740-012	1/2" (13mm) x quad port 90° SS 40M
01740-014	1/2" (13mm) x quad port 90° SS 40M
01740-300	Snap Fit Strainer Quick Connect male X Quad Port
01740-375	3/8" (10mm) NPTF x 3/8" (10mm) NPTF SS 40M
017450-000S	Strainer inline 3/4" (19mm) HB x 3/4" (19mm) HB SS 40M PETG VIT
017450-10S	Strainer inline 3/4" (19mm) HB x quad port 90° 40M PETG VIT
017450-12S	Strainer inline 1/2" (13mm) HB x quad port 90° 40M PETG VIT
017450-23S	Strainer inline 3/8" (10mm) HB x 3/8" (10mm) MNPT SS 40M PETG VIT

SS - Stainless Steel    PP - Polypropylene    M - Mesh

#### SPECIFICATIONS

<b>BASE</b>	Polypropylene, black
<b>COVER</b>	Polysulfane, smoke-tinted
<b>SCREEN</b>	Stainless steel - 20 and 40 mesh Polypropylene - 20 mesh
<b>O-RINGS</b>	Buna-N FDA compound
<b>MAX TEMPERATURE</b>	160°F (70°C)
<b>DIMENSIONS</b>	2-3/4" (70mm) diameter x 2-1/4" (56mm) high 4-3/4" (121mm) max port to port (3/4" hose barb) plug-in style, 3-3/4" (96mm) max length

For More Information go to:  
www.xylem.com  
In the US  
Tel: +1 978 281 0440  
100 Cummings Center Dr. Suite 535-N  
Beverly, MA 01915