

INSTALLATION INSTRUCTIONS FOR SOLAR GABLE-MOUNTED VENTILATORS

Models: CXSOLGB, VX2515SOLARGABL

Read all warnings and instructions before starting installation of this fan

FAILURE TO FOLLOW THESE INSTRUCTIONS COULD RESULT IN INJURY OR EVEN DEATH

- 1. Use this unit only in the manner intended by the manufacturer. If you have any questions, contact the manufacturer.**
- 2. Installation work and electrical wiring must be done by qualified person(s) in accordance with all applicable codes and standards, including fire-rated construction.**
- 3. When cutting or drilling into wall or ceiling, do not damage electrical wiring and other hidden utilities.**
- 4. The combustion airflow needed for safe operation of fuel-burning equipment may be affected by this unit's operation. Follow the heating equipment manufacture's guideline and safety standards such as those published by the National Fire and Protection Association (NFPA), and the American Society for Heating, Refrigeration and Air-conditioning Engineers (ASHRAE), and the local code authorities.**

CAUTION

1. This fan is controlled by a solar panel and may start unexpectedly if the panel is exposed to sunlight. Keep the panel securely covered until the fan is mounted, or when servicing the fan.
2. This unit has an unguarded propeller. Do not use in locations readily accessible to people or animals.
3. Mount with the lowest moving parts at least 8 feet above floor level.
4. For general ventilating use only. Do not use to exhaust hazardous or explosive materials and vapors.
5. Carbon monoxide is an odorless, colorless gas that can kill. It may be drawn into the house by operating this fan if your fuel-burning equipment is not properly maintained, or if you lack adequate attic intake vents.

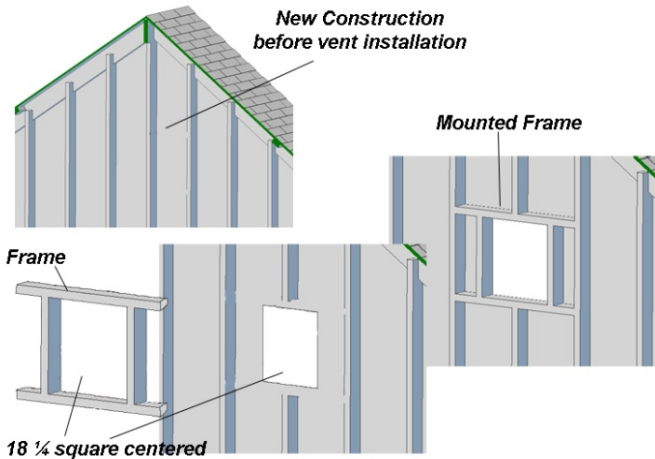
INSTALLATION INSTRUCTIONS

THIS GABLE-MOUNTED SOLAR VENTILATOR IS DESIGNED FOR ATTICS OF AVERAGE SIZE AND OPERATES MOST EFFICIENTLY WHEN AIR INTAKES ARE LOCATED AROUND THE EAVES. ALTERNATIVELY, AIR INTAKE MAY BE FROM OPPOSING GABLE VENTS, BUT NEVER FROM ROOF OR RIDGE VENTS. AT LEAST 400 SQ-IN NET FREE AIR INTAKE VENT AREA IS REQUIRED, PER UNIT, FOR SAFE AND EFFICIENT OPERATION. THE MOTOR OPERATES ON 18 V.D.C. CURRENT AND THE SOLAR PANEL IS RATED AT 12.6 WATTS.

THIS UNIT MAY BE MOUNTED BEHIND ANY STYLE OF NON-OPERABLE LOUVERS WITH A NET FREE AREA OF AT LEAST 150 SQ-IN

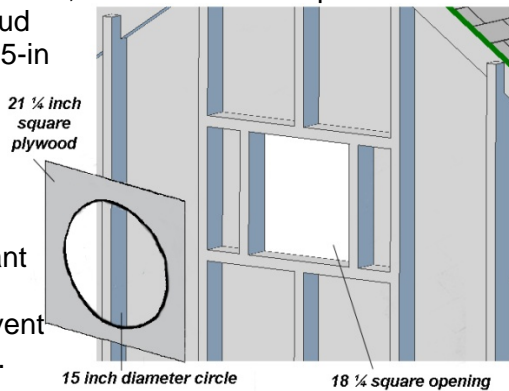
Step 1

For new installation or installation behind existing louvers, using 2 x 4 studs, frame an opening at least 18 1/4-in square (depending on stud spacing) on center, on the attic side of the gable.



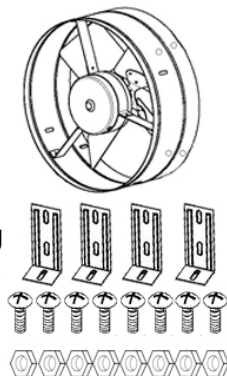
Step 2

Cover the opening with a square piece of plywood, paneling, or sheetrock, at least 21 1/4-in square (depending on stud spacing). Cut a 15-in diameter hole in the center of this panel, to allow the shroud of the fan to enter the hole. It is important to block off any remaining open vent area in the gable.



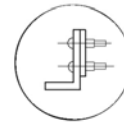
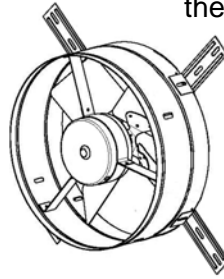
Step 3

Carefully remove power gable mounted attic vent from carton. Remove assembly hardware kit from carton. Kit includes: 8 nuts, 8 bolts and 4 L-shaped mounting brackets.



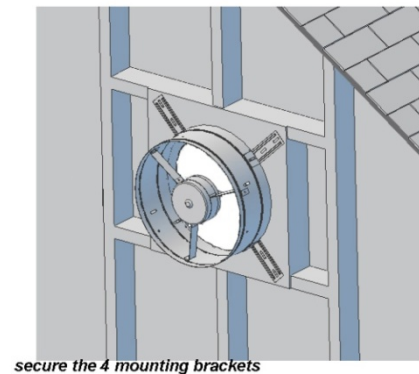
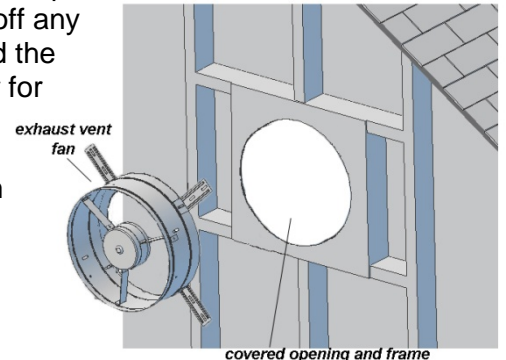
Step 4

With the nuts and bolts furnished, secure the 4 mounting brackets to the shroud and then fasten the unit to the frame. Mounting the L brackets with the long side to the shroud may better fit your installation and also help reduce vibration.



Also, the use of a sound-dampening barrier, such as rubber washers or foam stripping will help reduce resonance in the walls. Seal off any gaps around the fan, in order for the fan to function at maximum efficiency.

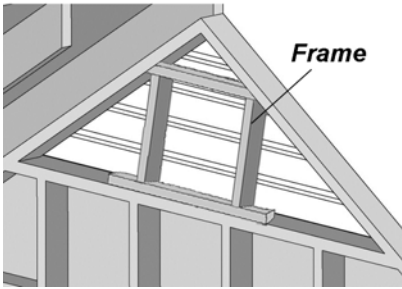
Seal off any gaps around the fan, in order for the fan to function at maximum efficiency.



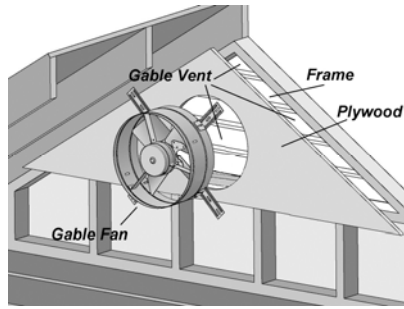
TIP: Much of the preparation, wiring of thermostat, testing, and mounting to the frame can be done before final installation in the attic.

For installation behind triangular gable vents, refer to steps 1-3 opposite and the following illustrations.

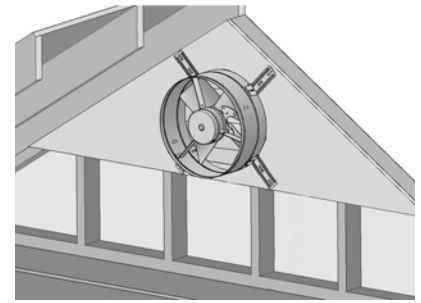
Step 1



Step 2



Step 3



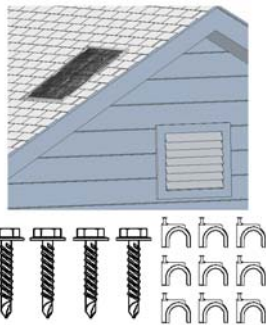
SOLAR PANEL INSTALLATION

Step 1

Mount the 4 brackets to the solar panel with the 8 screws provided.

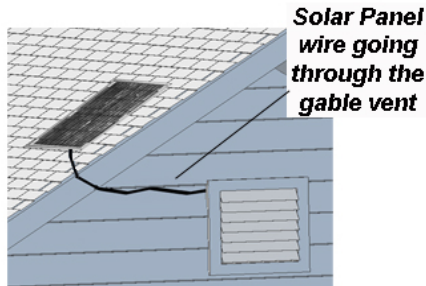
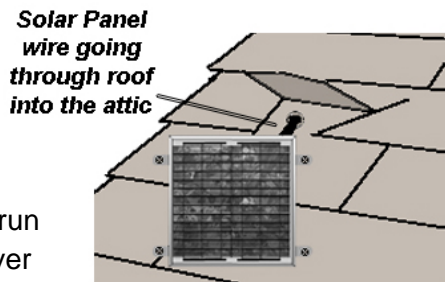
Step 2

When placing the solar panels on your roof, choose a southern or western exposure, away from trees and afternoon shadows. Mount the solar panel onto the roof with the 4 screws and lock washers provided.



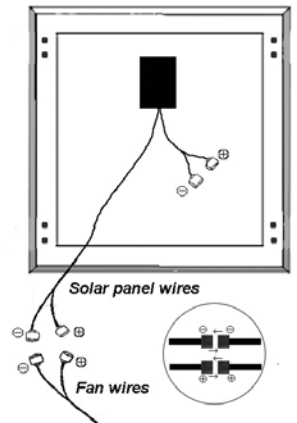
Step 3

The wiring must connect to the fan inside the attic. To run the wiring through the roof, drill a hole under a shingle in the immediate vicinity of the panel. Seal the hole and replace the shingle with caulking to avoid leaking. Alternatively, run the solar panel wire over the edge of the roof and through the gable vent to connect to the fan. Use the wire clips provided to secure the wire inside the attic, or to the roof and siding.

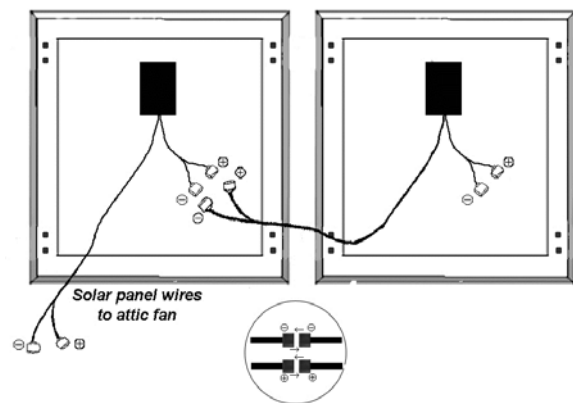


Step 4

Protect the solar panel from the sun, using a non translucent material such as the original package, so that it will not produce power and activate the fan. Connect the wires of the solar panel to those of the attic vent. Be sure to connect the positive wire from the solar panel to the positive wire from the fan, and the negative wire from the solar panel to the negative wire from the fan.



TIP: To increase the power of the fan, additional solar panels may be added, using the easy-connect clips.



Recommendation:

Hose the panel down periodically to ensure that the cells do not become obstructed by excessive dust or other debris, as this could affect the output.

VENTAMATIC, LTD.
LIMITED WARRANTY

This warranty is underwritten by Falco Insurance Company and is extended to the original retail purchaser of this model or, if this unit is purchased and requires installation by a building contractor, to the original owner of the home. No subsequent purchaser of the unit or of a home in which it is installed is entitled to any of the benefits of this warranty.

This product is warranted against defects in materials and workmanship for the time period listed by model number below. This warranty applies from the date of original retail purchase. No other parts or components are warranted. There is no warranty for defects caused by abuse, faulty installation, or the like.

VX2515SOLARGABL or CXSOLGB

DC Motor

Limited 5-Year

Solar Panel

Limited 10-Year

Repairs or replacement parts supplied under this warranty are warranted only for the period of this warranty; stated above from the date of the original retail purchase of the unit.

In the event of a defect or malfunction, we will replace or repair the defective part or component only and return the new or repaired part to you freight prepaid.

You must bear all other expenses incurred in obtaining repairs, including labor required for field repair or replacement, and the cost of shipping the defective part to us. You must also bear the cost of repair to or replacement of any part or component and the shipping charges incurred for the repair or replacement and return to you of any part or component not covered by this warranty, including parts or components damaged by you.

The company reserves the right to demand and receive written evidence of the date of purchase before undertaking its obligations under this warranty. The right to demand and receive written evidence of date of purchase extends to all licensed dealers of Ventamatic, Ltd. products.

You should, therefore, retain your sales slip and attach a copy of it to the warranty claim.

**To start a warranty claim you must:
Contact Ventamatic, Ltd.**

An RGA (Returned Goods Authorization) form is required for returns to the factory to ensure your return can be processed efficiently and quickly. Please contact Ventamatic, Ltd. toll-free at 800-433-1626 or via web at www.MYMAXXAIR.com to obtain an RGA and follow the instructions given.

There is no informal dispute settling mechanism available in the event of a controversy involving this warranty.

Any and all implied warranties which may exist terminate upon the expiration of this warranty. Some states do not allow limitations on how long an implied warranty lasts, so this limitation may not apply to you.

Ventamatic, Ltd. is not liable to you for incidental or consequential damages arising out of defect or malfunction of a unit or its installation or out of any alleged breach of this warranty. Some states do not allow the exclusion or limitation of incidental or consequential damages, so this limitation may not apply to you.

This warranty gives you specific legal rights and you may also have other rights which may vary from state to state.

rev.4/19