



T&S BRASS AND BRONZE WORKS, INC.
 2 Saddleback Cove / P.O. Box 1088
 Travelers Rest, SC 29690

Model No.
B-2865-04

Item No.

Travelers Rest, SC: 800-476-4103 • Simi Valley, CA: 800-423-0150 • Fax: 864-834-3518 • www.tsbrass.com



ADA Compliant

This Space for Architect/Engineer Approval

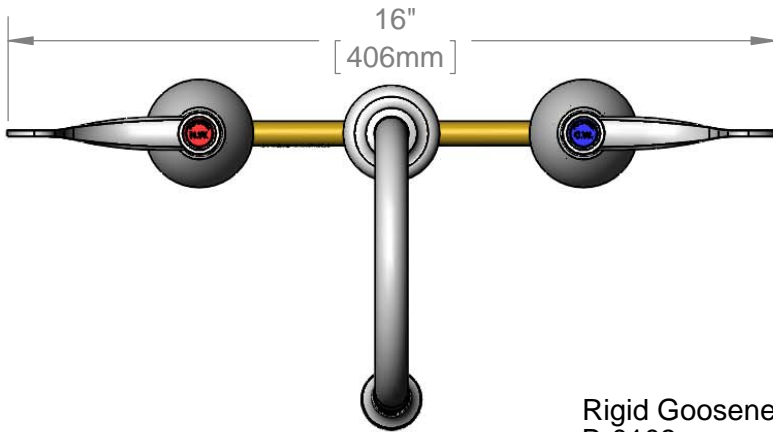
Job Name _____ Date _____

Model Specified _____ Quantity _____

Customer/Wholesaler _____

Contractor _____

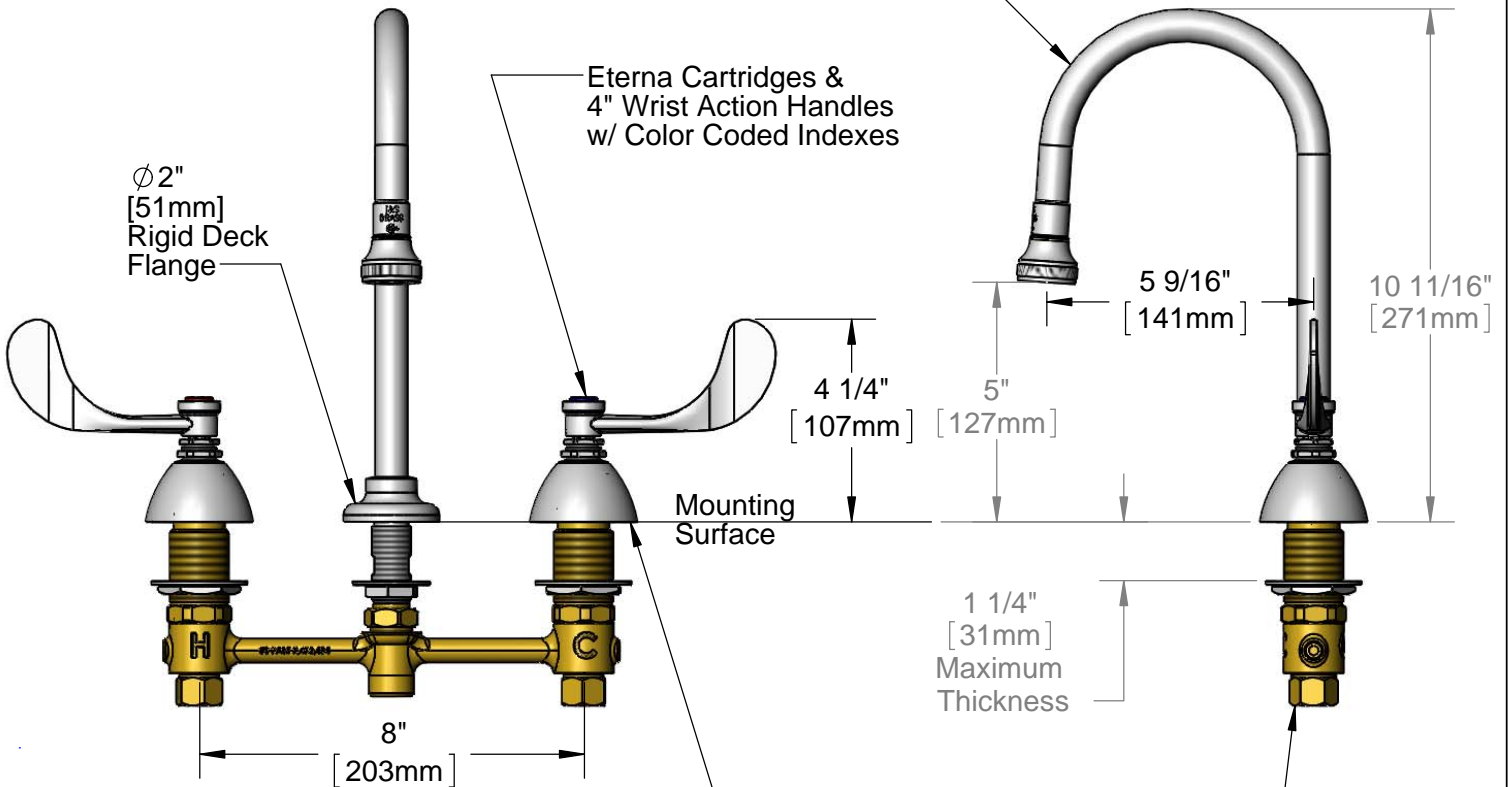
Architect/Engineer _____



Rigid Gooseneck w/
 B-0103
 Rosespray Outlet

Eterna Cartridges &
 4" Wrist Action Handles
 w/ Color Coded Indexes

Ø2"
 [51mm]
 Rigid Deck
 Flange



Rough-In Requirement:
 Center Shank: Ø1" [25mm] Mounting Hole
 Hot/Cold Side: Ø1 1/2" [38mm] Mounting Holes

Ø2 1/4"
 [57mm]
 Escutcheons

1/2" NPSM
 Male Inlets w/
 Coupling Nuts

Product Specifications:
 8" Deck Mount EasyInstall Mixing Faucet, Eterna Cartridges, 4" Wrist
 Action Handles, Rigid Gooseneck, Rosespray Outlet & 1/2" NPSM
 Male Inlets

Product Compliance:
 ASME A112.18.1 / CSA B125.1
 NSF 61 - Section 9
 NSF 372 (Low Lead Content)
 ANSI A117.1 (ADA)



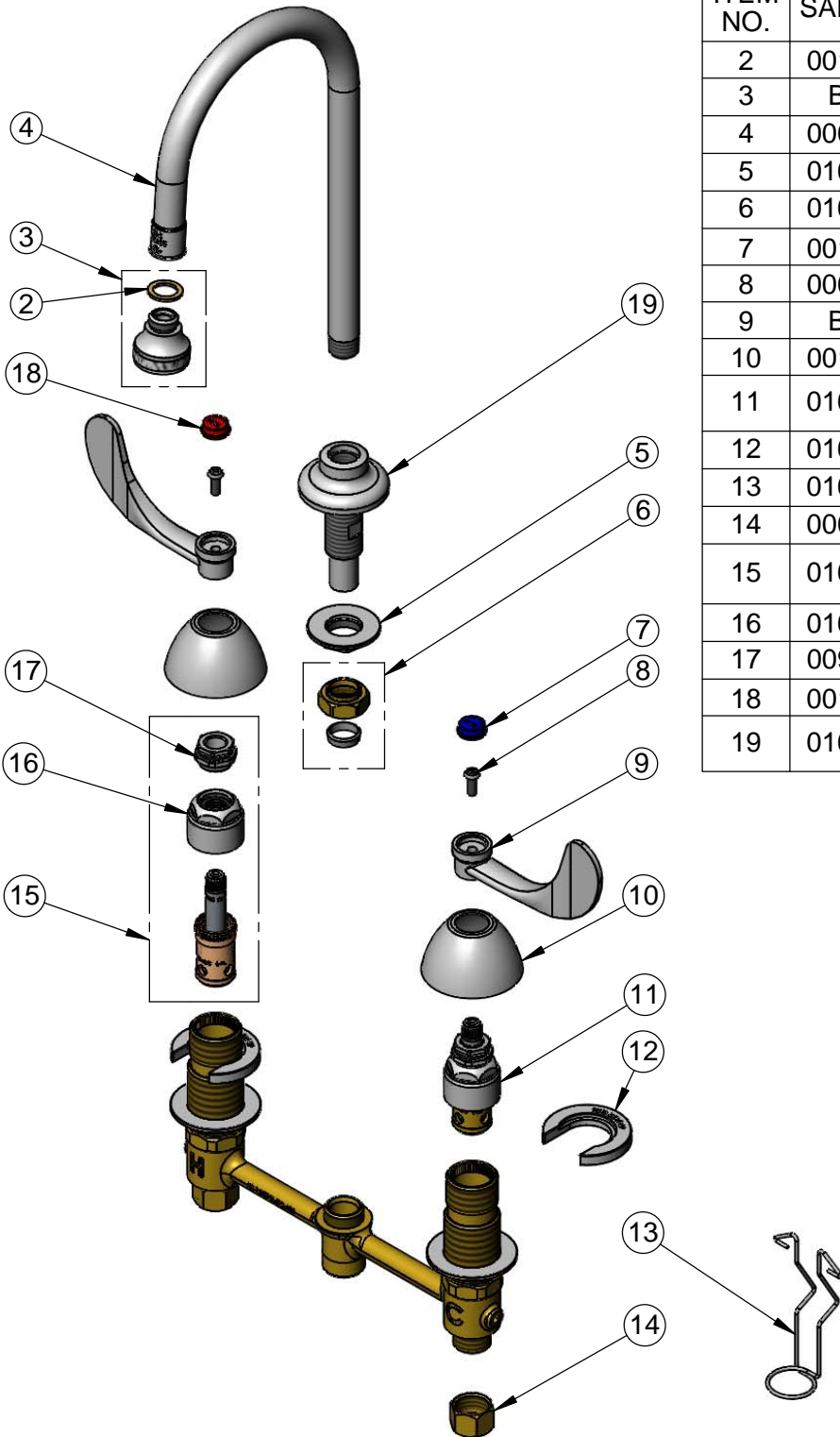
T&S BRASS AND BRONZE WORKS, INC.
 2 Saddleback Cove / P.O. Box 1088
 Travelers Rest, SC 29690

Model No.
B-2865-04

Item No.

Travelers Rest, SC: 800-476-4103 • Simi Valley, CA: 800-423-0150 • Fax: 864-834-3518 • www.tsbrass.com

ITEM NO.	SALES NO.	DESCRIPTION
2	001043-45	Washer
3	B-0103	Rosespray Outlet, 3/8" NPSM Male
4	000398-40	Rigid Gooseneck
5	016742-45	Center Flange Nut
6	016745-45	Compression Nut & Fitting
7	001686-45	Blue Index - CW
8	000925-45	Lab Handle Screw
9	B-WH4	4" Wrist Action Handle
10	001257-40	Bell Escutcheon
11	016752-40	EasyInstall CWS LTC Eterna (Teflon)
12	016749-45	Sidebody C-Washer
13	016777-45	CWS Hanger
14	000958-20	Coupling Nut
15	016753-40	EasyInstall CWS RTC Eterna (Teflon)
16	016743-25	CWS Bonnet
17	009002-25	Packing Nut
18	001194-45	Red Index - HW
19	016847-40	EasyInstall CWS Rigid Center Shank



017245-40
 Installation Repair Kit
 Includes #5, (2)#12, & #13

Product Specifications:
 8" Deck Mount EasyInstall Mixing Faucet, Eterna Cartridges, 4" Wrist Action Handles, Rigid Gooseneck, Rosespray Outlet & 1/2" NPSM Male Inlets

Product Compliance:
 ASME A112.18.1 / CSA B125.1
 NSF 61 - Section 9
 NSF 372 (Low Lead Content)
 ANSI A117.1 (ADA)