

BubbleStream® Wave Double Swivel 1.5 - 2.2 gpm



flow, stop and go®

Features and Benefits

- ▶ Sleek contemporary dual swivel spray/aerator.
- ▶ Pull down action switches from aerated stream to powerful spray.
- ▶ Swivel action allows spraying of hard to reach areas of the sink.

Certifications

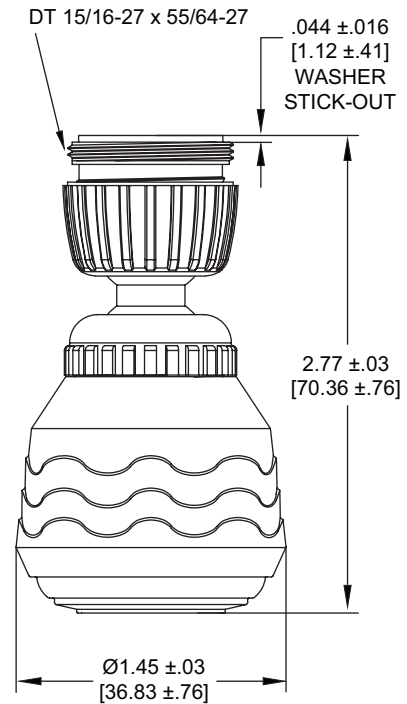
ANSI/NSF 61
ASME A112.18.1M and CSA B125
Meets **CALGreen** requirements (excludes 2.2 gpm)
WaterSense [See models below.]
Complies with CEC Amendment to CCR Title 20, section 1605.3



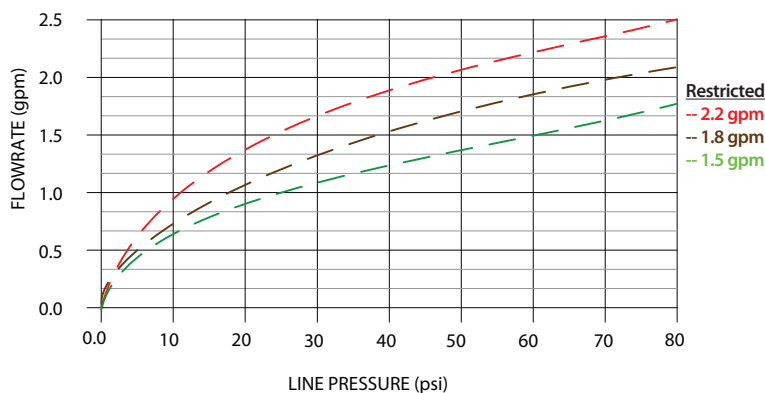
Options Available

Part #	Color	gpm	PCA®	WaterSense	Qty.
5503905	White/chrome	1.5	no	pending	1
5513905	White/chrome	1.8	no	no	1
5504005	White/chrome	2.2	no	no	1

Dimensions



Flow Rate Curve



Technical Data

Materials: Body Acetal
Screen Stainless Steel
Washers EPDM
Outer body ABS
Connector Acetal
Adapter Acetal

Continuous

Short-term (5 minutes max.)
Per ASME A112.18.1 testing requirements.

