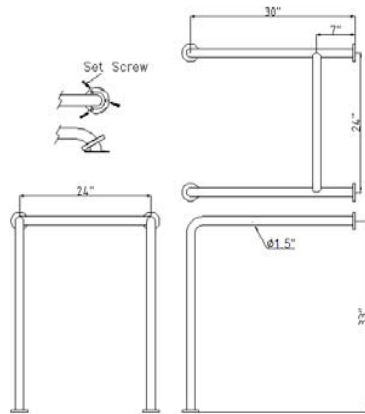


GRAB BAR 4WMH4



SPECIFICATIONS:

Material – 304 Stainless Steel, 1-1/2" O.D. tubing

Includes – Mounting Hardware

INSTALLATION:

1. Place the grab bar on the wall where desired.

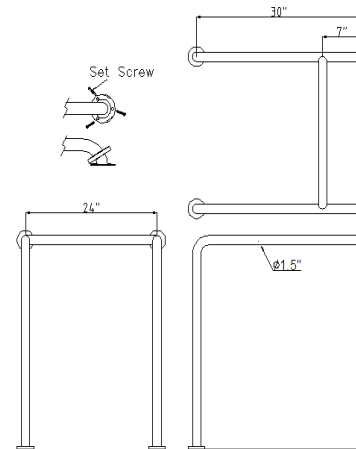
IMPORTANT: Grab Bars must be anchored into a wood stud.

2. With a pencil, mark the mounting holes locations.
3. Remove product from the wall and drill holes at the marked locations.
4. Mount the grab bar with screw set provided.
5. If mounting a Concealed screw grab bar, press the cover plate over the grab bar screw base.

Note:

Grab bars are to be mounted to a secure surface. Grainger Inc. shall not accept responsibility for any and all damage caused by lack of wall strength or improper installation.

GRAB BAR 4WMH4



SPECIFICATIONS:

Material – 304 Stainless Steel, 1-1/2" O.D. tubing

Includes – Mounting Hardware

INSTALLATION:

1. Place the grab bar on the wall where desired.

IMPORTANT: Grab Bars must be anchored into a wood stud.

2. With a pencil, mark the mounting holes locations.
3. Remove product from the wall and drill holes at the marked locations.
4. Mount the grab bar with screw set provided.
5. If mounting a Concealed screw grab bar, press the cover plate over the grab bar screw base.

Note:

Grab bars are to be mounted to a secure surface. Grainger Inc. shall not accept responsibility for any and all damage caused by lack of wall strength or improper installation.