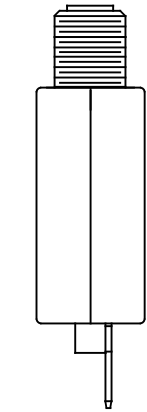
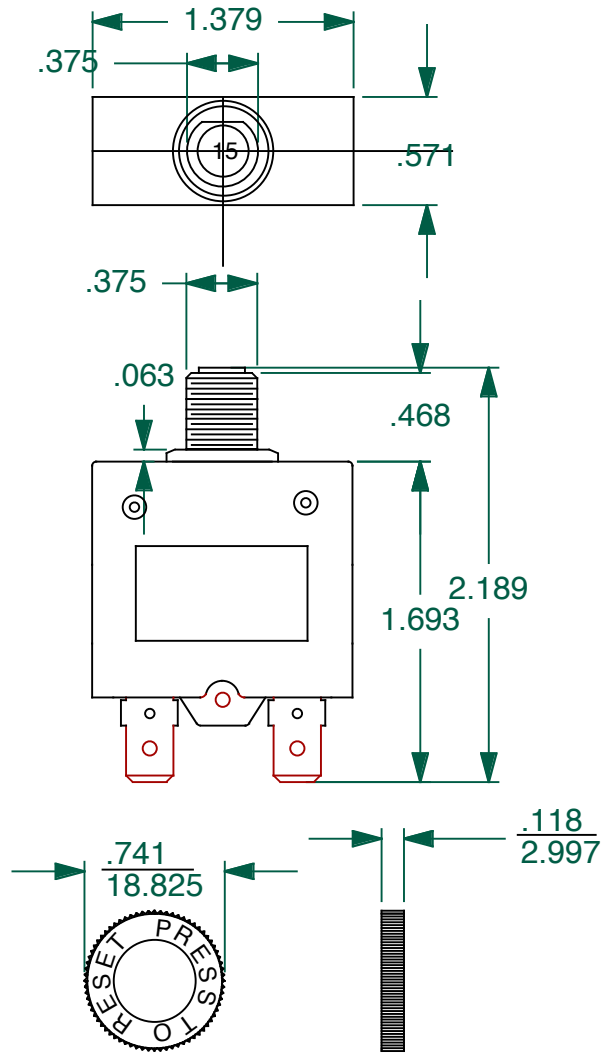


DWG NO. CLB-103-27E3N-W-A/10		REV.
LET	REVISIONS	DATE



CMB

RATING: UL, CUL
10A
OPERATES:
PUSH TO RESET

RATING :XX 125/250V AC/32V DC
Approvals:cUL/TUV/CE/CSA

SERIAL NO.				
	B		A	
CLB-	033(3A)		B(BLACK)	
	?	-12C3N-	R(RED)	-H
	403(40A)		W(WHITE)	

- NOTES:
- 3/8" THREADED BUSHING
 - .250 TAB TERMINALS
 - WHITE BUTTON

DIMENSIONS SUBJECT TO CHANGE WITHOUT NOTICE		FINISH _____		CARLINGSWITCH, INC. PLAINVILLE, CT		
PROPRIETARY NOTE: NOTICE TO ALL PERSONS RECEIVING THIS DRAWING. THIS DOCUMENT IS THE PROPERTY OF CARLINGSWITCH, INC. AND IS NOT TO BE DISCLOSED, REPRODUCED IN WHOLE OR IN PART OR USED FOR MANUFACTURING PURPOSES BY ANYONE WITHOUT THE CONSENT OF CARLINGSWITCH, INC.	UNSPECIFIED TOLERANCES		TOOL NO. _____	TITLE		
	FRAC. ±1/64 X.XXX ±.015		DR BY KRAMARZ	THERMAL BREAKERS		
	ANGLES ±1°		DATE 11-13-18	REV _____	DWG NO. CLB-103-27E3N-W-A/10	
	PROJECTIONS 		DATE _____	DATE _____	SIZE A	REV. _____
DIMENSIONS IN [mm]		APPD BY _____	DATE _____	USED ON _____	SCALE: NONE	SHT 1 OF 1