

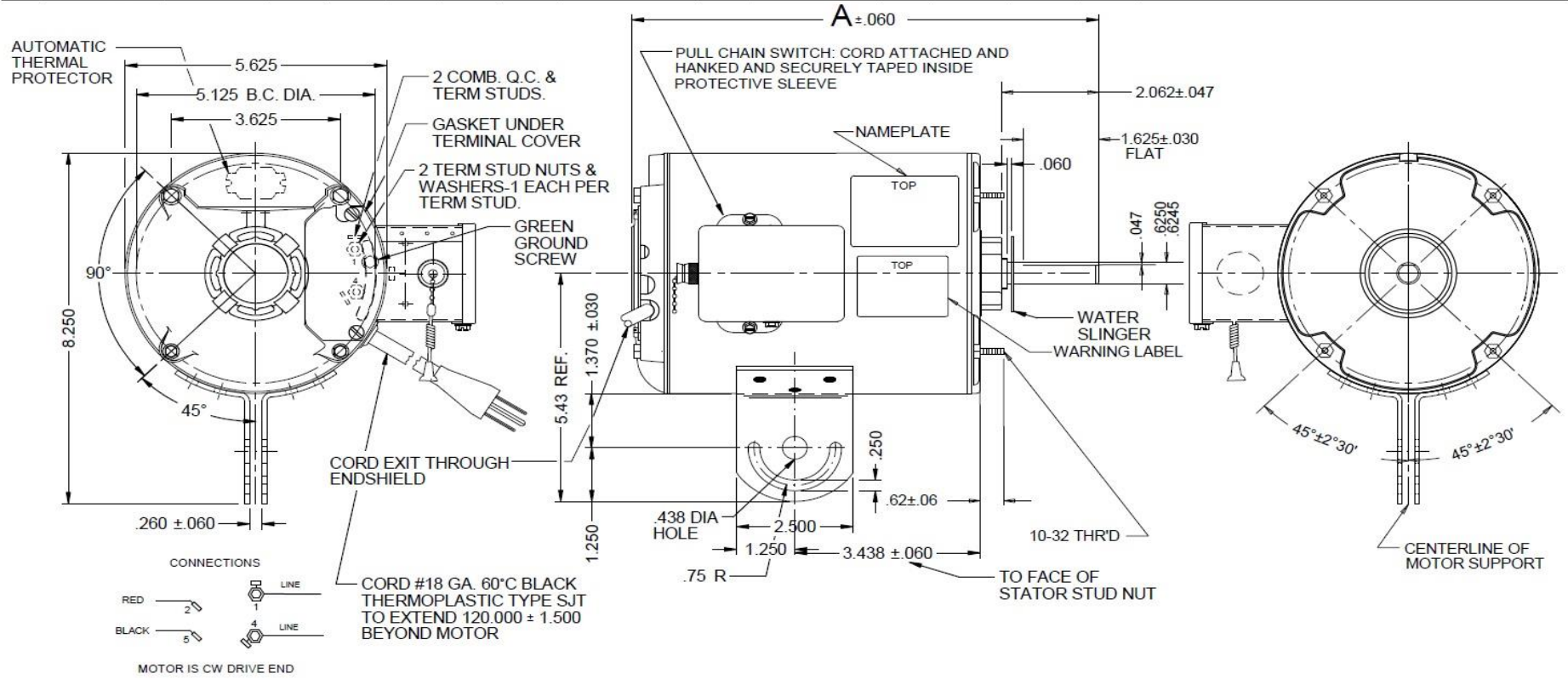
# Dimensional Drawing

**4UX67BG**

REV.

-

VAR	MODEL	CUST. PT. NO.	A	B	C	D	HP	VOLTS	SF	AMPS	HZ	RPM	CONN VOLTS	PROT.	DESCRIPTION / REMARKS
001	S55KZRLH-8498	4UX67BG	10.07	---	---	---	1/4	115	1.0	4.5	60	1725	---	AUTO	48YZ TEAO



DRAWING NO.	PAGE 1 of 1	REV.
<b>4UX67BG</b>		-

**4UX67BG**

REV.

-

**SPLIT-PHASE & CAPACITOR START MOTOR PERFORMANCE**

HP:	1/4							
Poles:	4							
Ambient (°C):	40							
Altitude (FASL):								
No. of Speeds:	1							
Volts:	115	115						
HZ:	60	60						
Service Factor:	1							
Efficiency:	@ Rated Load	57.8						
Power Factor:	@ Rated Load	64.6						
Amps:	@ No Load							
	@ Rated Load	4.4						
	@ Service Factor	4.4						
	@ Locked Rotor					10.4		
RPM:	@ Rated Load					1747		
Torques:	Breakdown	31.8						
	Locked Rotor	16.8						
	Pull-Up	15.7						
	Rated Load	12.2						
	Service Factor	12.2						
Watts:	Rated Load	326						
KVA Code:	E	E						
Temperature Rise:	@ Rated Load	TEAO						
	@ Service Factor	-						
Thermal Protector:	Trip Temp (°C)	134.2						
Winding Material:	Start (Auxiliary)	Al						
	Run (Main)	Al						
Capacitor(s):	Start (MFD / Volts)					NA		
	No. of Start Capacitors							
	Run (MFD / Volts)					NA		
	No. of Run Capacitors							

**LOW SPEED PERFORMANCE DATA:**

HP:								
Poles:								
Volts:								
HZ:								
Efficiency:	@ Rated Load							
Power Factor:	@ Rated Load							
Amps:	@ No Load							
	@ Rated Load							
	@ Service Factor							
	@ Locked Rotor							
Torques:	BreakDown							
	Locked Rotor							
	Pull-Up							
	Rated Load							
	Service Factor							
Watts:	@ Rated Load							
Temperature Rise:	@ Rated Load							
	@ Service Factor							

DRAWING NO. PAGE 1 of 1 REV.  
4UX67BG -

# Performance Data



**4UX67BG**

REV.

-

## Dayton Manufacturing Company

### Motor Description

Model: S055RLH8498 4UX67BG  
 Motor ID: 1  
 Poles: 4  
 Volts: 115  
 Frequency: 60  
 HP: 1/4  
 Speed: 1725  
 Phase: 1  
 Protector: MEJ26CY

### Test Conditions

Test Type: Start  
 Test Number: 2  
 Poles: 4  
 Volts: 115  
 Hz: 60  
 Rotation: CW  
 Special Cond:  
 Speed Conn:  
 TestBoard: Amps Performance Fixture #4  
 Run Cap: 0  
 Start Cap: 0µfd  
 Environment: 20.4 Deg C 53 % RH 996 hPa  
 Tested: 9/28/2015 8:35:13 AM  
 Tested By: Sharp, Gerald  
 Gear Ratio: 1:1  
 Bearing Friction: -0.65 Oz-Ft  
 Windage Torque: -2.08 Oz-Ft

Comments: cwle

Special Points	Vline (V)	Iline (A)	Imain(A)	Iaux (A)	Watts	RPM	Tq(Oz-ft)	HP	Eff (%)	PF (%)
	115.0	27.65	17.810	10.394	2618	28	16.81	0.006	0.2	82.3
	115.0	27.62	17.811	10.360	2613	22	16.37	0.004	0.1	82.3
<b>26.72 RPM</b>	<b>115.0</b>	<b>27.61</b>	<b>17.810</b>	<b>10.353</b>	<b>2613</b>	<b>27</b>	<b>16.41</b>	<b>0.005</b>	<b>0.1</b>	<b>82.3</b>
	115.0	27.54	17.833	10.214	2603	122	16.44	0.024	0.7	82.2
<b>PUT OZ-FT</b>	<b>115.0</b>	<b>27.50</b>	<b>17.845</b>	<b>10.137</b>	<b>2604</b>	<b>179</b>	<b>15.70</b>	<b>0.033</b>	<b>1.0</b>	<b>82.3</b>
	115.0	27.44	17.834	10.041	2599	260	16.79	0.052	1.5	82.3
	115.0	27.27	17.782	9.847	2587	397	18.77	0.089	2.6	82.5
	115.0	27.05	17.670	9.666	2573	524	20.38	0.127	3.7	82.7
	115.0	26.82	17.539	9.493	2561	638	22.06	0.167	4.9	83.0
	115.0	26.55	17.358	9.341	2541	742	23.84	0.210	6.2	83.2
	115.0	26.25	17.164	9.178	2524	835	25.75	0.256	7.6	83.6
	115.0	25.90	16.929	9.005	2499	925	27.58	0.304	9.1	83.9
	115.0	25.53	16.681	8.844	2473	1004	29.10	0.348	10.5	84.2
	115.0	25.12	16.400	8.684	2441	1079	30.56	0.393	12.0	84.5
	115.0	24.69	16.099	8.532	2409	1148	31.77	0.434	13.4	84.8
	115.0	24.24	15.777	8.398	2371	1211	32.76	0.472	14.9	85.1
	115.0	23.76	15.423	8.281	2331	1270	33.47	0.506	16.2	85.3
	115.0	23.20	15.042	8.190	2283	1324	33.87	0.534	17.4	85.6
<b>BDT OZ-FT</b>	<b>115.0</b>	<b>22.81</b>	<b>14.743</b>	<b>8.136</b>	<b>2248</b>	<b>1363</b>	<b>33.87</b>	<b>0.549</b>	<b>18.2</b>	<b>85.7</b>
	115.0	22.70	14.656	8.124	2238	1373	33.84	0.553	18.4	85.7
	115.0	22.13	14.200	8.086	2188	1422	33.46	0.566	19.3	86.0
	115.0	21.65	13.814	8.078	2143	1460	32.89	0.572	19.9	86.1
	115.0	21.14	13.382	8.100	2096	1496	31.79	0.566	20.2	86.2
	115.0	20.62	12.942	8.144	2044	1531	30.38	0.554	20.2	86.2
	115.0	20.10	12.487	8.214	1993	1562	28.59	0.532	19.9	86.2
<b>28.52 OZ-FT</b>	<b>115.0</b>	<b>20.08</b>	<b>12.472</b>	<b>8.217</b>	<b>1991</b>	<b>1563</b>	<b>28.52</b>	<b>0.531</b>	<b>19.9</b>	<b>86.2</b>
	115.0	19.59	12.039	8.307	1941	1592	26.53	0.503	19.3	86.2
	115.0	19.10	11.582	8.425	1890	1618	24.11	0.465	18.3	86.1
	115.0	18.61	11.107	8.562	1836	1643	21.37	0.418	17.0	85.8
	115.0	18.14	10.656	8.709	1785	1666	18.49	0.367	15.3	85.6
	115.0	17.66	10.199	8.865	1733	1687	15.33	0.308	13.3	85.3
	115.0	17.23	9.744	9.041	1680	1707	12.11	0.246	10.9	84.8
	115.0	16.79	9.268	9.239	1627	1726	8.43	0.173	7.9	84.3
	115.0	16.31	8.728	9.457	1567	1744	4.02	0.083	4.0	83.5
	115.0	15.96	8.348	9.621	1525	1760	0.67	0.014	0.7	83.1
	115.0	15.87	8.230	9.672	1512	1764	0.00	0.000	0.0	82.9

DRAWING NO. PAGE 1 of 4 REV.  
 4UX67BG -

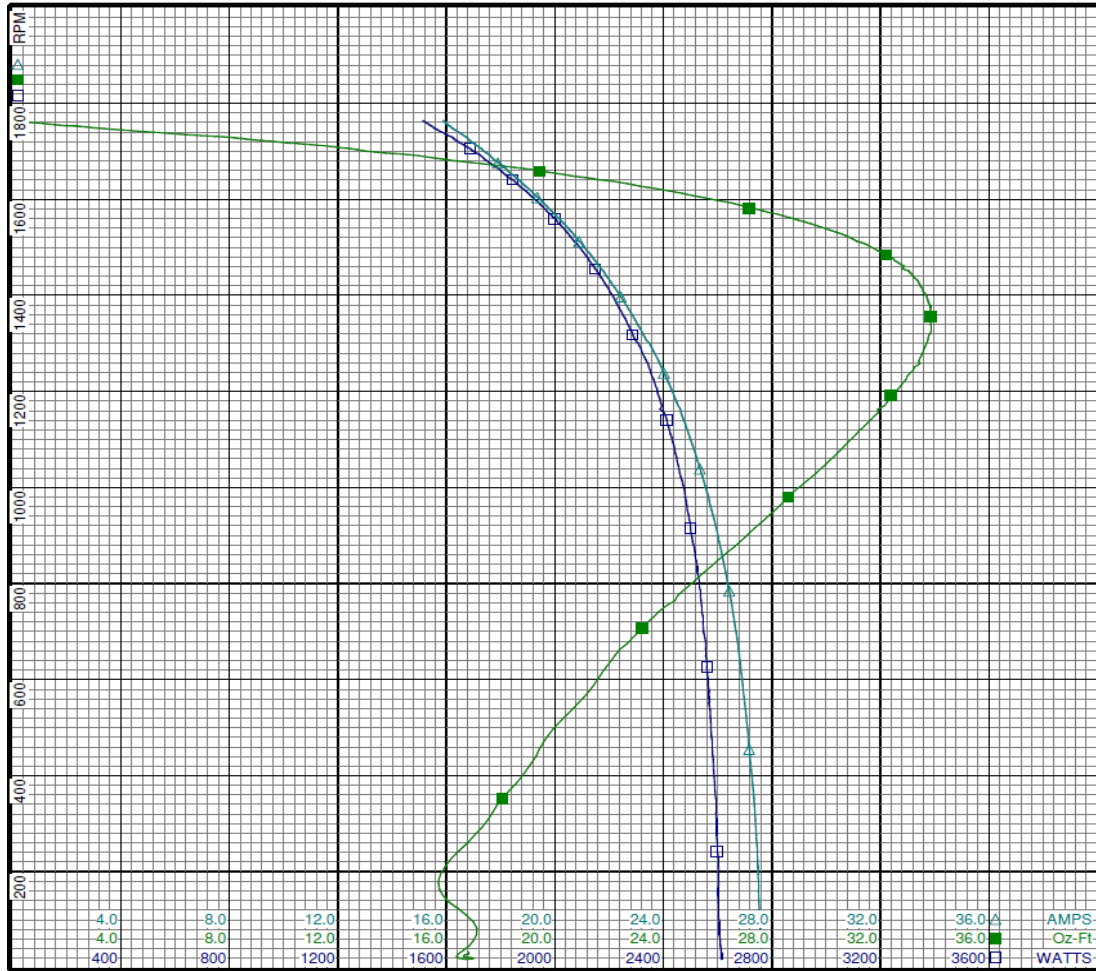
Dayton Electric Mfg. Co. Lake Forest, IL 60045 USA

# Performance Data



4UX67BG

REV.  
-



Curve Descriptions:  
Motor(1) Test 2 Start 115V 60 Hz 4P  
CW  
 □ SPEED vs WATTS  
 ■ SPEED vs TORQUE  
 △ SPEED vs ILine

Motor Ratings:  
(1) S055RLH8498 4UX67BG

DRAWING NO. PAGE 2 of 4 REV.  
4UX67BG -

Dayton Electric Mfg. Co. Lake Forest, IL 60045 USA

©2019 W.W. Grainger, Inc. This design may not be reproduced, modified or redistributed without written permission from W.W. Grainger, Inc.

# Performance Data



**4UX67BG**

REV.

-

## Dayton Manufacturing Company

### Motor Description

Model: S055RLH8498 4UX67BG  
 Motor ID: 1  
 Poles: 4  
 Volts: 115  
 Frequency: 60  
 HP: 1/4  
 Speed: 1725  
 Phase: 1  
 Protector: MEJ26CY

### Test Conditions

Test Type: Run  
 Test Number: 3  
 Poles: 4  
 Volts: 115  
 Hz: 60  
 Rotation: CW  
 Special Cond:  
 Speed Conn:  
 TestBoard: Amps Performance Fixture #4  
 Run Cap: 0  
 Start Cap: 0µfd  
 Environment: 20.4 Deg C 53 % RH 996 hPa  
 Tested: 9/28/2015 8:33:47 AM  
 Tested By: Sharp, Gerald  
 Gear Ratio: 1:1  
 Bearing Friction: -0.55 Oz-Ft  
 Windage Torque: -1.97 Oz-Ft

Comments: cwle

Special Points	Vline (V)	Iline (A)	Watts	RPM	Tq(Oz-ft)	HP	Eff (%)	PF (%)
	115.0	3.543	105.3	1791	0.00	0.000	0.0	25.9
	115.0	3.627	166.0	1779	3.44	0.073	32.7	39.8
	115.0	3.914	245.6	1764	7.96	0.167	50.8	54.6
	115.0	4.340	318.8	1748	11.80	0.246	57.5	63.9
<b>0.25 HP</b>	<b>115.0</b>	<b>4.370</b>	<b>323.3</b>	<b>1747</b>	<b>12.02</b>	<b>0.250</b>	<b>57.7</b>	<b>64.3</b>
<b>12.17 OZ-FT</b>	<b>115.0</b>	<b>4.391</b>	<b>326.3</b>	<b>1747</b>	<b>12.17</b>	<b>0.253</b>	<b>57.8</b>	<b>64.6</b>
	115.0	4.902	401.0	1728	15.69	0.323	60.0	71.1
	115.0	5.696	505.2	1707	20.08	0.408	60.3	77.1
	115.0	6.557	603.3	1684	23.74	0.476	58.8	80.0
	115.0	7.454	704.0	1656	26.95	0.531	56.3	82.1
	115.0	8.389	799.5	1624	29.31	0.567	52.9	82.9
	115.0	9.372	893.6	1588	30.90	0.584	48.8	82.9
	115.0	10.332	981.4	1549	31.72	0.585	44.4	82.6
<b>BDT OZ-FT</b>	<b>115.0</b>	<b>11.015</b>	<b>1041.0</b>	<b>1516</b>	<b>31.78</b>	<b>0.573</b>	<b>41.1</b>	<b>82.2</b>
	115.0	11.228	1058.0	1504	31.74	0.568	40.1	81.9
	115.0	12.055	1125.0	1457	31.07	0.539	35.7	81.1
	115.0	12.789	1182.8	1408	30.11	0.505	31.8	80.4
	115.0	13.440	1227.7	1358	28.58	0.462	28.1	79.4
	115.0	13.995	1264.5	1307	26.97	0.420	24.8	78.6
	115.0	14.527	1298.2	1251	25.13	0.374	21.5	77.7
	115.0	14.983	1326.2	1195	23.32	0.332	18.7	77.0
	115.0	15.397	1348.8	1136	21.35	0.289	16.0	76.2
	115.0	15.770	1368.5	1074	19.29	0.247	13.4	75.5
	115.0	16.098	1384.0	1009	17.46	0.210	11.3	74.8
	115.0	16.393	1398.3	941	15.46	0.173	9.2	74.2
	115.0	16.663	1410.4	868	13.46	0.139	7.4	73.6
	115.0	16.903	1419.3	793	11.49	0.109	5.7	73.0
	115.0	17.117	1428.2	714	9.49	0.081	4.2	72.6
	115.0	17.306	1434.7	628	7.31	0.055	2.8	72.1
	115.0	17.456	1439.5	539	5.40	0.035	1.8	71.7
	115.0	17.570	1439.8	446	3.75	0.020	1.0	71.3
	115.0	17.653	1443.4	350	2.36	0.010	0.5	71.1
	115.0	17.697	1445.0	251	1.70	0.005	0.3	71.0
	115.0	17.726	1444.3	139	0.16	0.000	0.0	70.9
	115.0	17.753	1445.5	39	0.90	0.000	0.0	70.8

DRAWING NO. PAGE 3 of 4 REV.  
 4UX67BG -

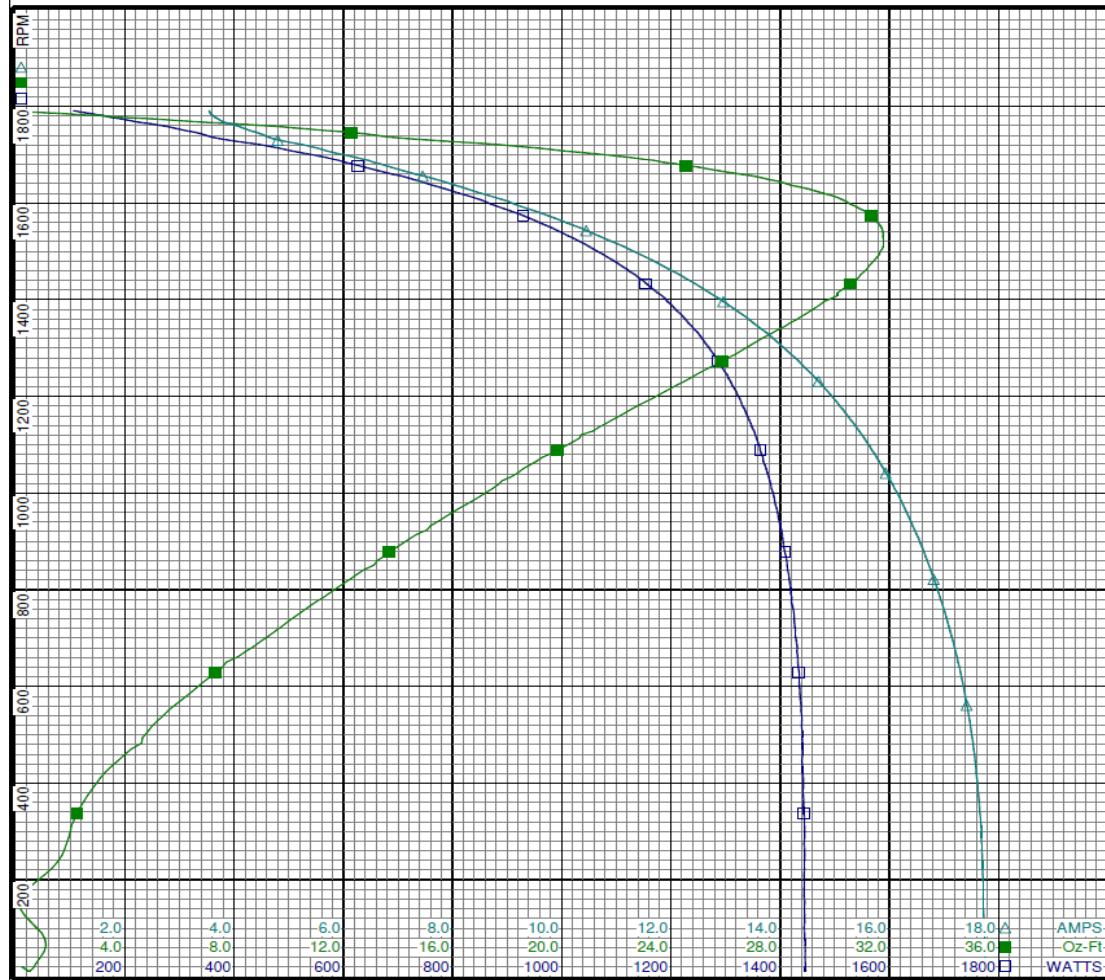
Dayton Electric Mfg. Co. Lake Forest, IL 60045 USA

# Performance Data



4UX67BG

REV.  
-



**Curve Descriptions:**

Motor(1) Test 3 Run 115V 60 Hz 4P  
CW

- SPEED vs WATTS
- SPEED vs TORQUE
- △ SPEED vs ILine

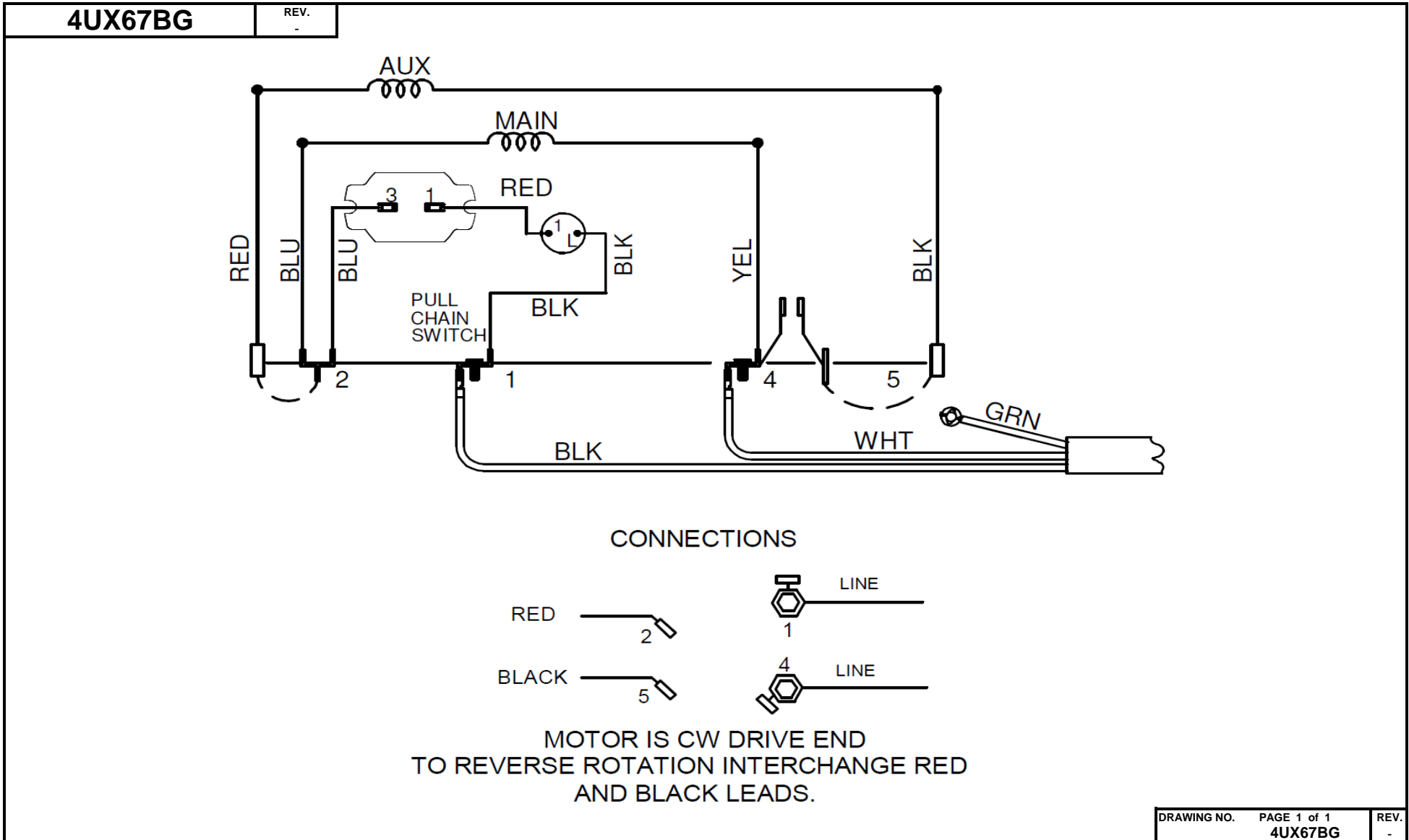
**Motor Ratings:**

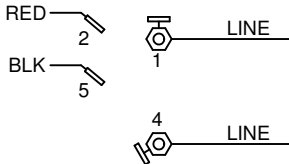
(1) S055RLH8498 4UX67BG

DRAWING NO.	PAGE 4 of 4	REV.
4UX67BG		-

Dayton Electric Mfg. Co. Lake Forest, IL 60045 USA

# Wiring Diagram



**Dayton**<sup>®</sup>**PEDESTAL FAN MOTOR****HP:** 1/4  
**VOLTS:** 115**AMPS:** 4.5  
**RPM:** 1725  
**DUTY:** CONT  
**SF:** 1.0**KVA CODE:** P  
**ENCL:** TEAO**THERMALLY PROTECTED:** AUTOMFG. NO.   PROT. CODE:  04050 **MTR REF:** S55KZRLH-8498**PH:** 1  
**HZ:** 60  
**FR:** 48YZ  
**INS CL:** B  
**AMB:** 40 °C  
**SFA:** 4.5AVG. F.L.  
EFF.Part  
No **4UX67BG****Disconnect Power Before Making Any  
Electrical Connections or Changes****CONNECTIONS****MOTOR IS CW DRIVE END**Mfd for Dayton Electric Mfg. Co., Lake Forest, IL 60045 USA   Made in Mexico