



Smooth Bore Base Plate Mount

Size Range: 1/4" outside diameter through 6.625" outside diameter

Hardware: 304 Stainless Steel, 316 Stainless Steel, or Electro-Zinc Plated Carbon Steel

Plastic Inserts: Polypropylene (blue)
Santoprene (beige)
Polysulfone (black)
HDPE (white)
High Temp Nylon (black)
*See page 85 for temperature ratings

Installations: Locate bolt holes in mounting structure and either tap into structure or use 1/4-20 bolt and nut to secure

Thermal Expansion Guide: (Optional) Provides for axial expansion of the tube or pipe due to thermal expansion. One set of two per clamp (See Fig. 207 in accessories).

Thermal Expansion Guide Material: Santoprene, 1/16" insert, Black for service identification.

202 Smooth Bore Base Plate Mount - Part Number Configurator

Part Number Example:

B SB X 3 100 - SP

B SB X 3 100 - SP

Base Plate Mount Plate

Base Plate Mount Fig. 202 = B

Style

Smooth Bore Block Style = SB

Hardware Material

304 Stainless Steel = T
 316 Stainless Steel = X
 Electro-Zinc Plated Carbon Steel = Z

Hardware Group Size

Group 3 Hardware Size Tube OD and Pipe sizes ranging from 0.25" to 1" = 3
 Group 6 Hardware Size Tube OD and Pipe sizes ranging from 0.25" to 2" = 6
 Group 7 Hardware Size Tube OD and Pipe sizes ranging from 2" to 3.50" = 7
 Group 7A Hardware Size 4" Tube OD = 7A
 Group 8 Hardware Size Tube OD and Pipe sizes ranging from 6" to 6.625" = 8

Tube or Pipe Size

"D" Dimension
 For sizing refer to "D" column on dimensional chart.
 Apply the number in column without the decimal.

Examples of column "D" translation:
 1/4" Tube = 025
 3/4" Pipe = 1050
 1" Pipe = 1315
 2" Pipe = 2375
 4" Pipe = 400

Plastic Insert Material

Polypropylene, Blue (available in Groups 3-7A) = PP
 Santoprene, Beige (available in Groups 3-8) = SP
 Polysulfone, Black (available in Groups 3-8) = PS

FIG. 202

SMOOTH BORE BASE PLATE MOUNT

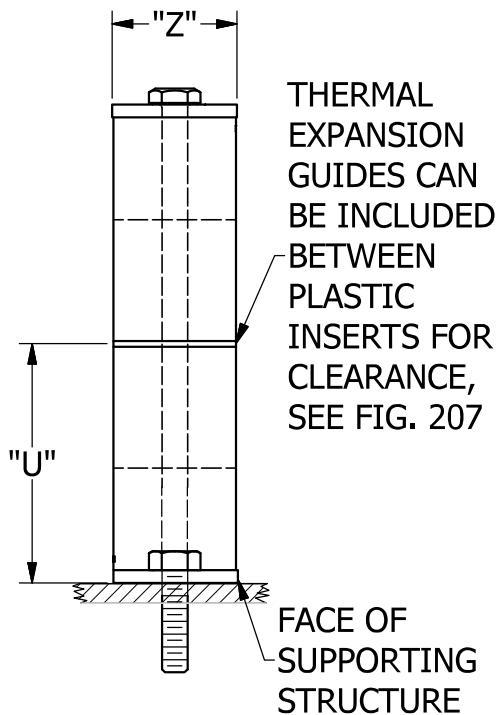
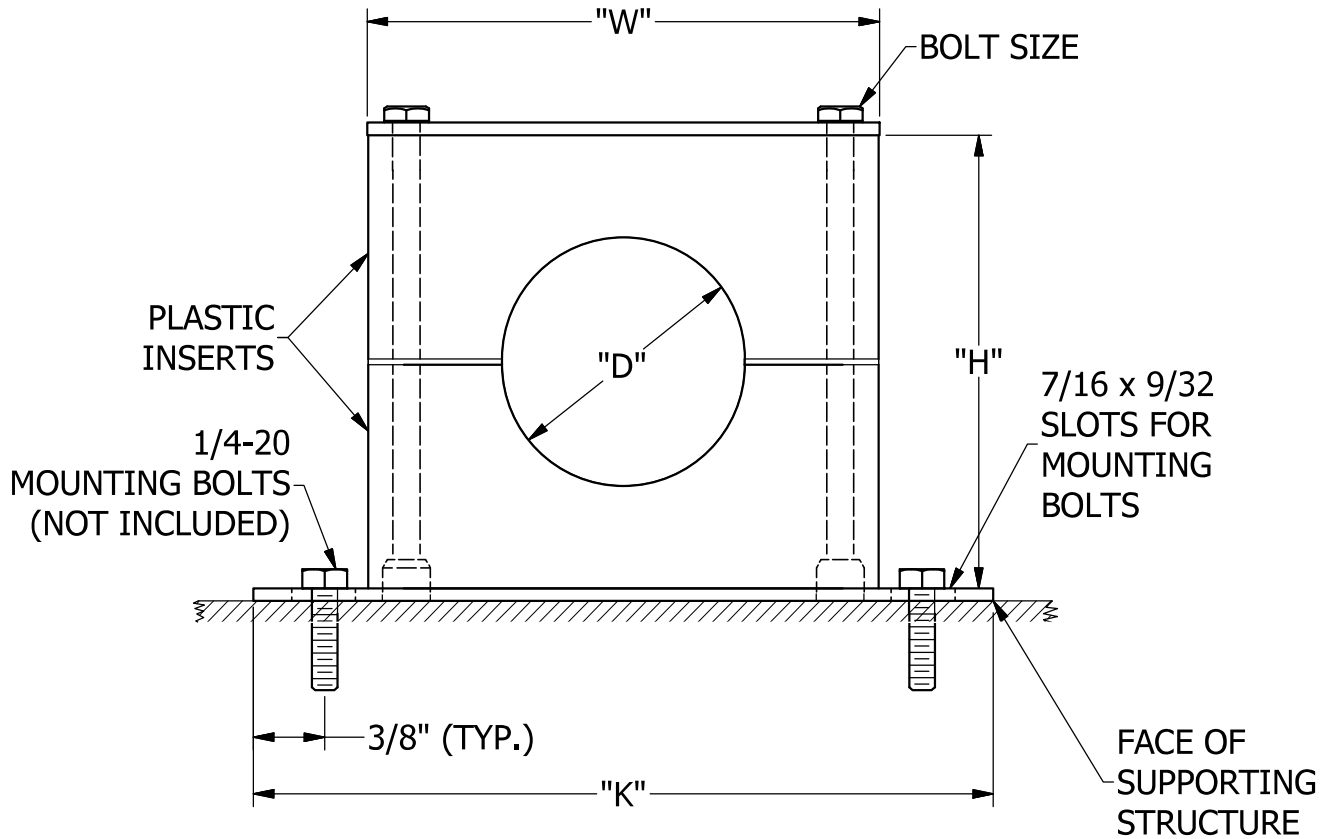


FIG. 202

SMOOTH BORE BASE PLATE MOUNT

GRP NO.	TUBE OR PIPE SIZE	"D" INCHES	W	H	Z	U	K	BOLT SIZE	LBS.
3	1/4 T	0.250	1.88" (48 mm)	1.38" (35 mm)	1.22" (31 mm)	0.81" (20 mm)	3.50" (89 mm)	1/4-20	0.4 (0.18 kg)
	3/8 T	0.375							
	1/2 T	0.500							
	3/4 T	0.750							
	1/2 P	0.840							
	1 T	1.000							
6	1/4 T	0.250	3.34" (85 mm)	2.63" (67 mm)	1.22" (31 mm)	1.44" (37 mm)	4.88" (124 mm)	1/4-20	0.6 (0.27 kg)
	3/8 T	0.375							
	1/2 T	0.500							
	5/8 T	0.625							
	3/4 T	0.750							
	1/2 P	0.840							
	7/8 T	0.875							
	1 T	1.000							
	3/4 P	1.050							
	1-1/4 T	1.250							
	1 P	1.315							
	1-1/2 T	1.500							
	1-1/4 P	1.660							
	1-1/2 P	1.900							
2 T	2.000								
7	2 T	2.000	5.02" (128 mm)	4.38" (111 mm)	1.22" (31 mm)	2.31" (59 mm)	6.50" (165 mm)	1/4-20	1.1 (0.50 kg)
	2 P	2.375							
	2-1/2 T	2.500							
	2-1/2 P	2.875							
	3 T	3.000							
	3-1/2 T -3 P	3.500							
7A	4 T	4.000	5.77" (147 mm)	4.8" (122 mm)	1.22" (31 mm)	2.54" (65 mm)	7.19" (183 mm)	1/4-20	1.5 (0.68 kg)
8	6 T	6.000	8.88" (226 mm)	7.65" (194 mm)	1.50" (38 mm)	4.01" (102 mm)	11.25" (286 mm)	3/8 - 16	4.4 (1.99 kg)
	6P	6.625							

FIG. 202

SMOOTH BORE BASE PLATE MOUNT

Figure 202 Base Plate Mount

