

Please read and save these instructions. Read carefully before attempting to assemble, install, operate or maintain the product described. Protect yourself and others by observing all safety information. Failure to comply with instructions could result in personal injury and/or property damage! Retain instructions for future reference.

# Dayton® 4 and 6" Drill Press Vises

## Description

Dayton 4 and 6" Drill Press Vises provide accurate clamping and positioning for milling, drilling and other machining operations. Left and right sides and back of vise are precision machined perpendicular to base for precise positioning. All jaw sliding surfaces and leadscrew are ground for smooth operation. Stationary jaw is grooved in cross pattern for clamping round stock in horizontal and vertical positions. Grooves on left and right sides of base are provided to allow for secure mounting of vise to table.

## Dimensions

Refer to Figure 1.

### 4" DRILL PRESS VISE

#### MODEL 3W761B

A Jaw width ..... 4"

B Jaw Depth ..... 1 1/2"

C Maximum jaw opening ..... 4"

H Overall height ..... 2 1/8"

L Body Length ..... 7 1/8"

Weight ..... 9.5 lbs

### 6" DRILL PRESS VISE

#### MODEL 4TK04A

A Jaw width ..... 6"

B Jaw Depth ..... 2"

C Maximum jaw opening ..... 6"

H Overall height ..... 3 1/2"

L Body Length ..... 11 1/8"

Weight ..... 24.6 lbs

## General Safety Information

1. Understand and obey all safety instructions supplied with drill press, mill, or other machines on which vise is used.

2. Clamp vise to work surface in at least two mounting locations using mounting grooves provided on sides of base.

3. Be sure workpiece is clamped securely between jaws before starting machining operation.

4. Do not over tighten—vise can develop a large clamping force. Use only force which is needed.

5. Do not pound or hammer on workpiece. This vise is designed to clamp the workpiece in a desired position for machining operations only.

6. Keep machined surfaces and lead-chips and foreign materials.

7. Keep machined surfaces and all moving parts clean and free of dirt, particles of metal or wood can damage machined surfaces, causing difficult or inaccurate operation.

## Operation

Refer to Figure 2.

1. Mount vise to work surface in desired location. Secure vise using mounting grooves on side of base. Be sure to clamp vise to work surface on both sides of base.
2. Open jaws of vise and place workpiece between jaws in desired position. Secure workpiece between jaws by rotating leadscrew with handle (Ref. No. 7). Be sure workpiece is held securely in vise before starting machining operation.
3. Round stock can be clamped in vise by positioning workpiece in V-grooves on stationary jaw plate (Ref. No. 3). Be sure workpiece is held securely in vise before starting machining operation.

## Maintenance

1. Keep machined surfaces and all moving parts clean and free of dirt, chips and foreign materials.
2. Keep machined surfaces and lead-screw lubricated with medium weight machine oil.

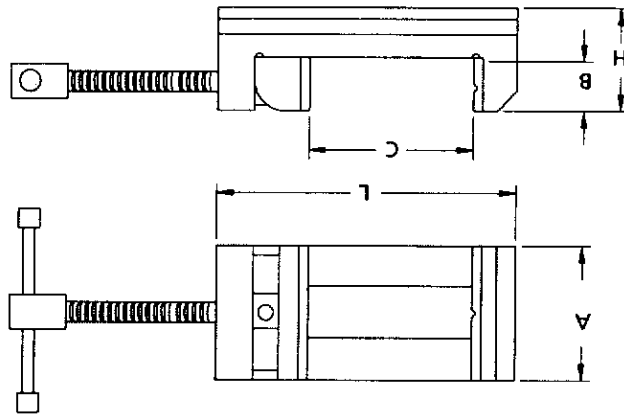


Figure 1 - Dimensions

Form 553286

Printed in U.S.A.  
08090  
0699/157NCPVP

04852.00-0400

Dayton®

OPERATION

INSTALLATION

**For Replacement Parts, call 1-800-323-0620**

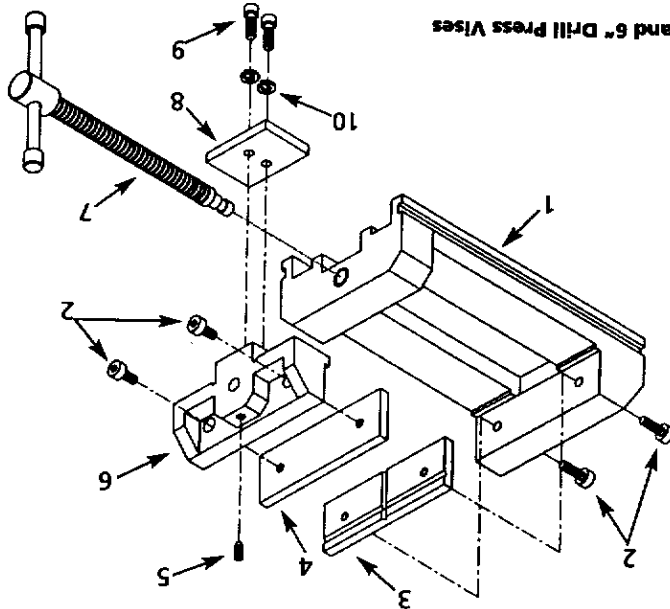
**24 hours a day - 365 days a year**

Please provide following information:

- Model number
- Serial number (if any)
- Part description and number as shown in parts list

Address parts correspondence to:

Granger Parts  
P.O. Box 3074  
1657 Sherman Road  
Northbrook, IL 60065-3074 U.S.A.



**Figure 2 - Replacement Parts Illustration for 4 and 6" Drill Press Vises**

Reference Number	Description	Part Number for Models	Quantity
1	Base	4840.00	1
2	6-1.0 x 10mm Socket head bolt	*	4
2	8-1.25 x 20mm Socket head bolt	*	4
3	Stationary jaw plate	4841.00	1
4	Movable jaw plate	4842.00	1
5	6-1.0 x 12mm Dog point set screw	9458.00	1
6	Movable jaw	4843.01	1
7	Lead screw with handle	4849.01	1
8	Guide plate	4850.00	1
9	6-1.0 x 14mm Socket head bolt	4851.00	2
10	6mm Lock Washer	*	2

(\*) Standard hardware item, available locally.

**LIMITED WARRANTY**

**DAYTON ONE-YEAR LIMITED WARRANTY.** Dayton 4 and 6" Drill Press Vises. Models covered in this manual, are warranted by Dayton Electric Mfg. Co. (Dayton) to the original user against defects in workmanship or materials under normal use for one year after date of purchase. Any part which is determined to be defective in material or workmanship and returned to an authorized service location, as Dayton designates, shipping costs prepaid, will be, as the exclusive remedy, repaired or replaced at Dayton's option. For limited warranty claim procedures, see PROMPT DISPOSITION below. This limited warranty gives purchasers specific legal rights which vary from jurisdiction to jurisdiction.

**LIMITATION OF LIABILITY.** To the extent allowable under applicable law, Dayton's liability for consequential and incidental damages is expressly disclaimed. Dayton's liability in all events is limited and shall not exceed the purchase price paid.

**WARRANTY DISCLAIMER.** Dayton has made a diligent effort to provide product information and illustrate the products in this literature accurately; however, such information and illustrations conform to the illustrations or descriptions, and do not express or imply a warranty that the products are MERCHANTABILITY, or FIT FOR A PARTICULAR PURPOSE, or that the products will necessarily or be authorized by Dayton.

**PRODUCT SUITABILITY.** Many jurisdictions have codes and regulations governing sales, construction, installation, and/or use of products for certain purposes, which may vary from those in neighboring areas. While Dayton attempts to assure that its products comply with such codes, it cannot guarantee compliance, and cannot be responsible for how the product is installed or used before purchase and use of a product. review the product applications, and all applicable national and local codes and regulations, and be sure that the product, installation, and use will comply with them.

Certain aspects of disclaimers are not applicable to consumer products; e.g. (a) some jurisdictions do not allow the exclusion or limitation of incidental or consequential damages, so the above limitation or exclusion may not apply to you; (b) also, some jurisdictions do not allow a limitation on how long an implied warranty lasts, consequently the above limitation may not apply to consumers, may not be excluded or otherwise disclaimed.

**PROMPT DISPOSITION.** Dayton will make a good faith effort for prompt correction or other adjustment with respect to any product which proves to be defective within limited warranty. For any product believed to be defective within limited warranty, first write or call dealer from whom the product was purchased. Dealer will give additional directions. If unable to resolve satisfactorily, write to Dayton at address below, giving dealer's name, address, date, and number of dealer's invoice, and describing the nature of the defect. Title and risk of loss pass to buyer on delivery to common carrier. If product was damaged in transit to you, file claim with carrier.

Manufactured for Dayton Electric Mfg. Co., 5959 W. Howard St., Niles, Illinois 60714 U.S.A.

Manufactured for Dayton Electric Mfg. Co., Niles, Illinois 60714 U.S.A.

