

Radiant Process Heaters



CRR E-Mitters

Type CRR E-Mitters



Typical Applications

- * Heating laboratory samples and specimens
- * Comfort heat for agricultural, zoological and reptilian pet applications

Series CRR-Edison Screw-In Bulb E-Mitters

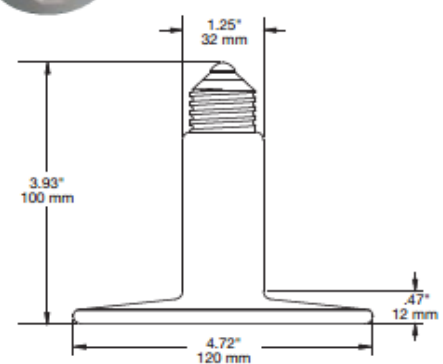
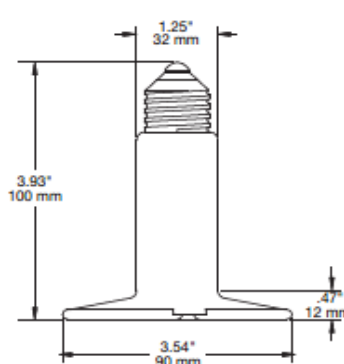
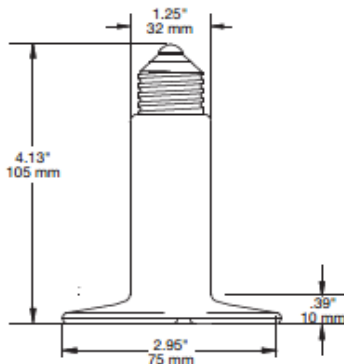
Tempco's Edison Screw-In Bulb Style E-Mitter is a hollow, tube-shaped ceramic heater. The unique thin wall construction and geometrical shape of the CRR style heaters facilitate very fast heating and cooling rates.



Screw-In Base

Ceramic receptacle for use with screw-in bulb E-Mitters

Part Number: CRK00016



Stock CRR E-Mitters (Color – White)

120V heaters with Edison Screw-In base

Diameter	Wattage	Watt Density		*Surface Temperature (Typical)		Part Number
		(W/in ²)	(W/cm ²)	°F	°C	
75mm	60	8.77	1.36	640	338	CRR00005
	100	14.62	2.26	710	377	CRR00006
90mm	100	10.16	1.57	655	346	CRR00003
	150	15.24	2.36	760	404	CRR00004
	200	20.32	3.14	950	510	CRR00007
120mm	100	5.71	0.88	400	204	CRR00008
	150	8.57	1.33	485	252	CRR00009
	200	14.29	2.21	670	354	CRR00010

*E-Mitter (operating in 72°F/22°C ambient)
face temperature measured with internal thermocouple.

Ordering Information

Catalog Heaters

For shipment directly from Stock, choose the Ceramic Infrared Radiant Heater from the above list that fills your requirements.

Optional color changing yellow or straight black can be manufactured to order to meet your requirements. A part number will be assigned when an order is placed.

Custom Engineered/Manufactured Heaters

Understanding that an electric heater can be very application specific, for sizes and ratings not listed, **TEMPCO** will design and manufacture a CRR Bulb Style Ceramic Infrared Heater to meet your requirements. **Standard lead time is 3 weeks.**

Please Specify the following:

- Size:** Overall dimensions or Series Code
- Colors:** Standard colors are color changing rose and white; optional colors are color changing yellow and black
- Wattage:** Description of process and temperature required