

Little GIANT®

TE-6-MD-HC



Features

- Thermally protected, totally enclosed, fan cooled, split phase motor
- Ball bearings
- Conduit box (cord not included — must be field wired)
- Specific gravity to 1.1
- Fluid temperature to 180°F
- Ambient air temperature to 77°F
- Run-dry capability up to 8 hours

NOTE: Consult your local distributor or the factory for applications with higher ambient temperatures, specific gravities and viscosities.

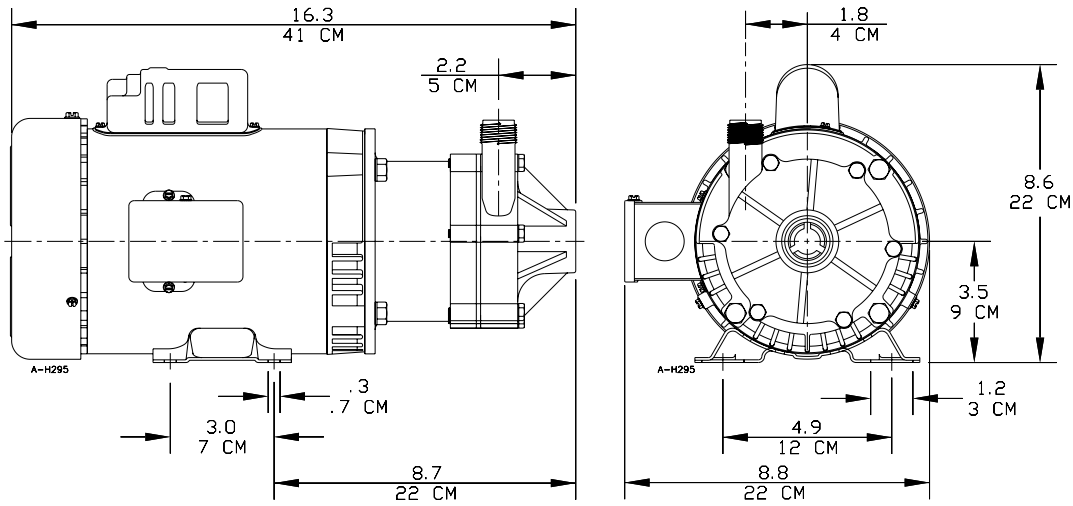
Construction

- Volute — Glass-filled Ryton®
- Backplate — Glass-filled Ryton®
- Impeller — Glass-filled Ryton® with carbon bushing
- Shaft — Ceramic
- Thrust Washers — Ceramic
- O-Ring — Viton®

The Little Giant MD-HC series features leakproof, seal-less magnetic drives and are designed for in-line, non-submersible use. Volute, magnet housing and impeller are glass-filled Ryton® for excellent chemical resistance. Ceramic shaft and thrust washers are 99.5% pure alumina for excellent wear and reliable service. Pumping heads are easily rotated, cleaned or serviced. Spindle shaft is supported at both ends to prevent impeller damage during start-up and stop of pump.

Ryton® is a registered trademark of Chevron Phillips Chemical Company
 Viton® is a registered trademark of DuPont Performance Elastomers

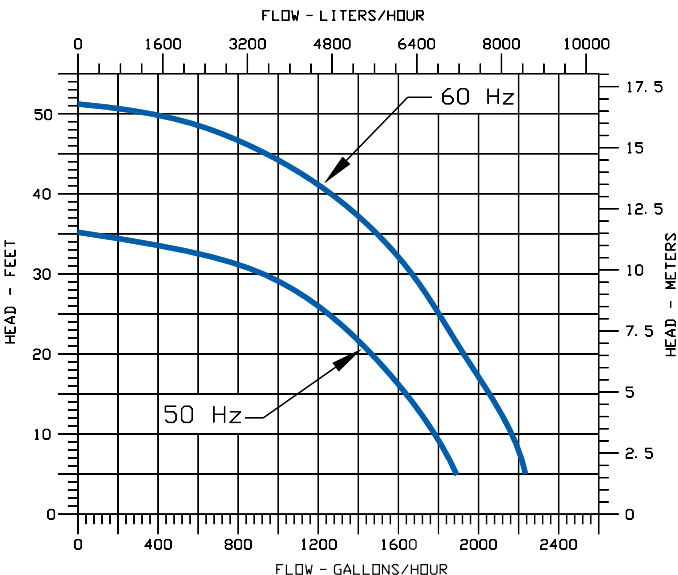
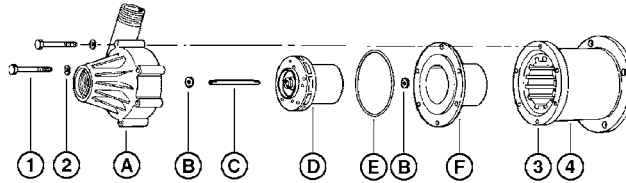
TE-6-MD-HC



NOTE: Designs and dimensions may vary for various reasons (i.e. type of motor). This information should be used as general guide rather than an unqualified guarantee. Specifications are subject to change without prior notice.

Specifications

Model No.	Item No.	Intake Size	Discharge Size	Listing(s)	HP	Volts	Hertz	Amps	Watts	Performance (GPM @ Head)					Shut Off		Power Cord (ft.)	Weight (lbs.)
										5'	10'	20'	30'	40'	Feet	PSI		
TE-6-MD-HC	586604	1" FNPT	3/4" MNPT	UR/C-CSA	1/2	115	50/60	11.6/9.4	640/835	38	36.7	31.7	28.3	21.7	51	22.1	N/A	29.00
TE-6-MD-HC	586650	1" FNPT	3/4" MNPT	UR	1/2	230	50/60	5.8/4.7	640/835	38	36.7	31.7	28.3	21.7	51	22.1	N/A	34.00
TE-6-MD-HC	586698	1" FNPT	3/4" MNPT			460	50/60	.9/9	400									6.20



Replacement Parts

ITEM	PART NO.	DESCRIPTION
A	185114	Volute
B	187085	Thrust Washer
C	185100	Shaft
D	185158	Impeller/Bushing
E	924016	O-Ring
F	185181	Backplate
1	903712	Bolt
2	921050	Washer
3	185172	Drive Magnet
4	185162	Magnet Housing

NOTE: Parts A-F contact fluid

Little GIANT
 PO Box 12010 • Oklahoma City, OK 73157
 Phone: 800.701.7894 • Fax: 800.701.8046
 E-mail: customerservice@littlegiant.com