

# DEWALT®



**Instruction Manual  
Guide D'utilisation  
Manual de instrucciones**

## **DW756**

**6" (152 mm) Heavy-Duty Bench Grinder  
Meuleuse d'établi de 152 mm (6 po.) de service intensif  
Esmeriladora de banco de 152 mm (6")**

## **DW758**

**8" (200 mm) Heavy-Duty Bench Grinder  
Meuleuse d'établi de 200 mm (8 po.) de service intensif  
Esmeriladora de banco de 200 mm (8") para trabajo pesado**

**[www.DEWALT.com](http://www.DEWALT.com)**

**If you have questions or comments, contact us.  
Pour toute question ou tout commentaire, nous contacter.  
Si tiene dudas o comentarios, contáctenos.**

**1-800-4-DEWALT**

ENGLISH

---

English (**original instructions**) 1

---

Français (*traduction de la notice d'instructions originale*) 9

---

Español (*traducido de las instrucciones originales*) 17

---

## Definitions: Safety Alert Symbols and Words

This instruction manual uses the following safety alert symbols and words to alert you to hazardous situations and your risk of personal injury or property damage.



**DANGER:** Indicates an imminently hazardous situation which, if not avoided, **will** result in **death or serious injury**.



**WARNING:** Indicates a potentially hazardous situation which, if not avoided, **could** result in **death or serious injury**.



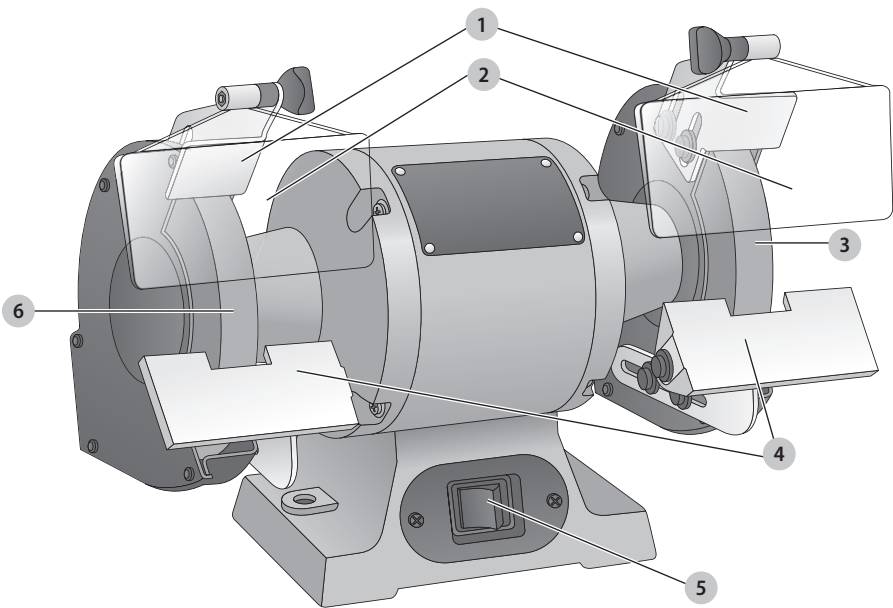
**CAUTION:** Indicates a potentially hazardous situation which, if not avoided, **may** result in **minor or moderate injury**.



(Used without word) Indicates a safety related message.

**NOTICE:** Indicates a practice **not related to personal injury** which, if not avoided, **may** result in **property damage**.

Fig. A



- 1 Spark guards
- 2 Eye shields
- 3 Coarse grinding wheel (36 Grit)
- 4 Tool rests
- 5 Switch (On/Off)
- 6 Medium grinding wheel (60 Grit)



**WARNING! Read all safety warnings and all instructions.** Failure to follow the warnings and instructions may result in electric shock, fire and/or serious injury.



**WARNING:** To reduce the risk of injury, read the instruction manual.

If you have any questions or comments about this or any DEWALT tool, call us toll free at: 1-800-4-DEWALT (1-800-433-9258).

## GENERAL POWER TOOL SAFETY WARNINGS



**WARNING! Read all safety warnings and all instructions.** Failure to follow the warnings and instructions may result in electric shock, fire and/or serious injury.

### SAVE ALL WARNINGS AND INSTRUCTIONS FOR FUTURE REFERENCE

The term "power tool" in the warnings refers to your mains-operated (corded) power tool or battery-operated (cordless) power tool.

#### 1) Work Area Safety

- a) **Keep work area clean and well lit.** Cluttered or dark areas invite accidents.
- b) **Do not operate power tools in explosive atmospheres, such as in the presence of flammable liquids, gases or dust.** Power tools create sparks which may ignite the dust or fumes.
- c) **Keep children and bystanders away while operating a power tool.** Distractions can cause you to lose control.

#### 2) Electrical Safety

- a) **Power tool plugs must match the outlet. Never modify the plug in any way. Do not use any adapter plugs with earthed (grounded) power tools.** Unmodified plugs and matching outlets will reduce risk of electric shock.
- b) **Avoid body contact with earthed or grounded surfaces such as pipes, radiators, ranges and refrigerators.** There is an increased risk of electric shock if your body is earthed or grounded.
- c) **Do not expose power tools to rain or wet conditions.** Water entering a power tool will increase the risk of electric shock.
- d) **Do not abuse the cord. Never use the cord for carrying, pulling or unplugging the power tool. Keep cord away from heat, oil, sharp edges or moving parts.** Damaged or entangled cords increase the risk of electric shock.
- e) **When operating a power tool outdoors, use an extension cord suitable for outdoor use.** Use of a cord suitable for outdoor use reduces the risk of electric shock.
- f) **If operating a power tool in a damp location is unavoidable, use a ground fault circuit interrupter (GFCI) protected supply.** Use of a GFCI reduces the risk of electric shock.

#### 3) Personal Safety

- a) **Stay alert, watch what you are doing and use common sense when operating a power tool. Do not use a power tool while you are tired or under the influence of drugs, alcohol or medication.** A moment of inattention while operating power tools may result in serious personal injury.

- b) **Use personal protective equipment. Always wear eye protection.** Protective equipment such as dust mask, non-skid safety shoes, hard hat, or hearing protection used for appropriate conditions will reduce personal injuries.
- c) **Prevent unintentional starting. Ensure the switch is in the off position before connecting to power source and/or battery pack, picking up or carrying the tool.** Carrying power tools with your finger on the switch or energizing power tools that have the switch on invites accidents.
- d) **Remove any adjusting key or wrench before turning the power tool on.** A wrench or a key left attached to a rotating part of the power tool may result in personal injury.
- e) **Do not overreach. Keep proper footing and balance at all times.** This enables better control of the power tool in unexpected situations.
- f) **Dress properly. Do not wear loose clothing or jewelry. Keep your hair, clothing and gloves away from moving parts.** Loose clothes, jewelry or long hair can be caught in moving parts.
- g) **If devices are provided for the connection of dust extraction and collection facilities, ensure these are connected and properly used.** Use of dust collection can reduce dust-related hazards.

#### 4) Power Tool Use and Care

- a) **Do not force the power tool. Use the correct power tool for your application.** The correct power tool will do the job better and safer at the rate for which it was designed.
- b) **Do not use the power tool if the switch does not turn it on and off.** Any power tool that cannot be controlled with the switch is dangerous and must be repaired.
- c) **Disconnect the plug from the power source and/or the battery pack from the power tool before making any adjustments, changing accessories, or storing power tools.** Such preventive safety measures reduce the risk of starting the power tool accidentally.
- d) **Store idle power tools out of the reach of children and do not allow persons unfamiliar with the power tool or these instructions to operate the power tool.** Power tools are dangerous in the hands of untrained users.
- e) **Maintain power tools. Check for misalignment or binding of moving parts, breakage of parts and any other condition that may affect the power tool's operation. If damaged, have the power tool repaired before use.** Many accidents are caused by poorly maintained power tools.
- f) **Keep cutting tools sharp and clean.** Properly maintained cutting tools with sharp cutting edges are less likely to bind and are easier to control.
- g) **Use the power tool, accessories and tool bits, etc. in accordance with these instructions, taking**

into account the working conditions and the work to be performed. Use of the power tool for operations different from those intended could result in a hazardous situation.

## 5) Service

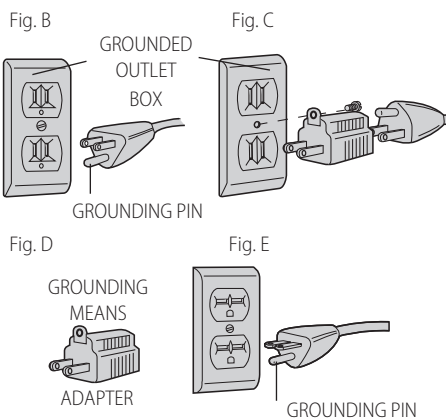
- a) **Have your power tool serviced by a qualified repair person using only identical replacement parts.** This will ensure that the safety of the power tool is maintained.

## Additional Safety Instructions for Grinders

- **ALWAYS USE GUARDS AND EYE SHIELDS. WHEN GRINDING, ALWAYS KEEP GUARDS IN PLACE.**
- Use only grinding wheels having a maximum operating speed at least as high as the "No Load RPM" marked on the tool's nameplate. Use only grinding wheels suitable for the speed of the grinder.
- Use only flanges furnished with the grinder.
- Adjust distance between wheel and work rest to maintain 1/8" (3.18 mm) or less separation as the diameter of the wheel decreases with use.
- Before using, inspect recommended accessory for cracks or flaws. If such a crack or flaw is evident, discard the accessory. **DO NOT USE A GRINDING WHEEL THAT IS CRACKED OR FLAWED IN ANY WAY.**
- When starting the tool, let it run for one minute. Never start the tool with a person in line with the wheel. This includes the operator.
- Do not grind on the sides of grinding wheels unless they are specifically designed for that purpose.
- Do not overtighten the hex nut. This may crack the grinding wheel.
- Clean the cavity around the grinding wheel periodically.

## Grounding Instructions

This tool should be grounded while in use to protect the operator from electric shock. The tool is equipped with a 3-conductor cord and 3-prong grounding type plug to fit the proper grounding type receptacle. The green (or green and yellow) conductor in the cord is the grounding wire. Never connect the green (or green and yellow) wire to a live terminal. If your unit is intended for use on less than 150 V, it has a plug that looks like that shown in Figure B. If it is for use on 150 to 250 V, it has a plug that looks like that shown in Figure E. An adapter, Figure C and D, is available for connecting Figure B type plugs to 2-prong receptacles. The green-colored rigid ear, lug, or the like, extending from the adapter must be connected to a permanent ground, such as a properly grounded outlet box. No adapter is available for a plug as shown in Figure E. ADAPTER SHOWN IN FIGURES C and D IS NOT FOR USE IN CANADA.



## Additional Safety Information

**WARNING:** ALWAYS use safety glasses. Everyday eyeglasses are NOT safety glasses. Also use face or dust mask if cutting operation is dusty. ALWAYS WEAR CERTIFIED SAFETY EQUIPMENT:

- ANSI Z87.1 eye protection (CAN/CSA Z94.3),
- ANSI S12.6 (S3.19) hearing protection,
- NIOSH/OSHA/MSHA respiratory protection.

**WARNING:** Some dust created by power sanding, sawing, grinding, drilling, and other construction activities contains chemicals known to the State of California to cause cancer, birth defects or other reproductive harm. Some examples of these chemicals are:

- lead from lead-based paints,
- crystalline silica from bricks and cement and other masonry products, and
- arsenic and chromium from chemically-treated lumber.

Your risk from these exposures varies, depending on how often you do this type of work. To reduce your exposure to these chemicals: work in a well ventilated area, and work with approved safety equipment, such as those dust masks that are specially designed to filter out microscopic particles.

- **Avoid prolonged contact with dust from power sanding, sawing, grinding, drilling, and other construction activities. Wear protective clothing and wash exposed areas with soap and water.** Allowing dust to get into your mouth, eyes, or lay on the skin may promote absorption of harmful chemicals.

**WARNING:** Use of this tool can generate and/or disperse dust, which may cause serious and permanent respiratory or other injury. Always use NIOSH/OSHA approved respiratory protection appropriate for the dust exposure. Direct particles away from face and body.

**WARNING:** Always wear proper personal hearing protection that conforms to ANSI S12.6 (S3.19) during use. Under some conditions and duration of use, noise from this product may contribute to hearing loss.



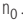









## ENGLISH

- **Air vents often cover moving parts and should be avoided.** Loose clothes, jewelry or long hair can be caught in moving parts.
- **An extension cord must have adequate wire size (AWG or American Wire Gauge) for safety.** The smaller the gauge number of the wire, the greater the capacity of the cable, that is, 16 gauge has more capacity than 18 gauge. An undersized cord will cause a drop in line voltage resulting in loss of power and overheating. When using more than one extension to make up the total length, be sure each individual extension contains at least the minimum wire size. The following table shows the correct size to use depending on cord length and nameplate ampere rating. If in doubt, use the next heavier gauge. The lower the gauge number, the heavier the cord.

Minimum Gauge for Cord Sets

Volts	Total Length of Cord in Feet (meters)					
	120 V	25 (7.6)	50 (15.2)	100 (30.5)	150 (45.7)	
240 V	50 (15.2)	100 (30.5)	200 (61.0)	300 (91.4)		
Ampere Rating More Than		American Wire Gauge				
Not More Than						
0	6	18	16	16	14	
6	10	18	16	14	12	
10	12	16	16	14	12	
12	16	14	12	Not Recommended		

The label on your tool may include the following symbols. The symbols and their definitions are as follows:

V.....volts	 or AC/DC...alternating or direct current
Hz.....hertz	 .....Class II Construction (double insulated)
min.....minutes	 .....no load speed
== or DC.....direct current	n.....rated speed
 .....Class I Construction (grounded)	 .....earthing terminal
.../min.....per minute	 .....safety alert symbol
BPM.....beats per minute	 .....visible radiation
IPM.....impacts per minute	 .....wear respiratory protection
RPM.....revolutions per minute	 .....wear eye protection
sfpm.....surface feet per minute	 .....wear hearing protection
SPM.....strokes per minute	 .....read all documentation
A.....amperes	
W.....watts	
 or AC.....alternating current	

## SAVE THESE INSTRUCTIONS FOR FUTURE USE

### Motor

Be sure your power supply agrees with the nameplate marking. Voltage decrease of more than 10% will cause loss of power and overheating. DEWALT tools are factory tested; if this tool does not operate, check power supply.

## SPECIFICATIONS

	DW756	DW758
Bench Grinder	6" (152 mm)	8" (200 mm)
Arbor	1/2" (13 mm)	5/8" (16 mm)
RPM	3450	3600

### COMPONENTS (FIG. A)

 **WARNING:** Never modify the power tool or any part of it. Damage or personal injury could result.

Refer to Figure A at the beginning of this manual for a complete list of components.


### Intended Use

This bench grinder is designed for professional applications.

**DO NOT** use under wet conditions or in presence of flammable liquids or gases.

This bench grinder is a professional power tool. **DO NOT** let children come into contact with the tool. Supervision is required when inexperienced operators use this tool.

### ASSEMBLY AND ADJUSTMENTS

 **WARNING:** To reduce the risk of serious personal injury, turn unit off and disconnect it from power source before making any adjustments or removing/installing attachments or accessories. An accidental start-up can cause injury.

### Bench Mounting

1. The grinder should be unplugged.
2. Remove the drilling template from this manual (page 26) and place it in position of the bench. Check for the availability of power for the grinder. Tape the template to the bench.
3. Using a center punch, transfer the hole centers for drilling.
4. Drill appropriate sized holes.
5. Insert M8 hex head bolts through washers and the holes. You may want to use washers on the underside of the bench as well.
6. Tighten the nuts. Do not overtighten. Allow the rubber feet to absorb the vibration when the grinder is running.


### Installing Tool Rests (Fig. F)

There is a left and right tool rest. First secure the tool rest **4** to the bracket **7** using the hex bolt **8**, spring washer **9**, flat washer **10**, external tooth washer **11** and nut **13**.

For the DW756, an additional spacer **12** and external tooth washer **11** are required, as shown in Figure F.

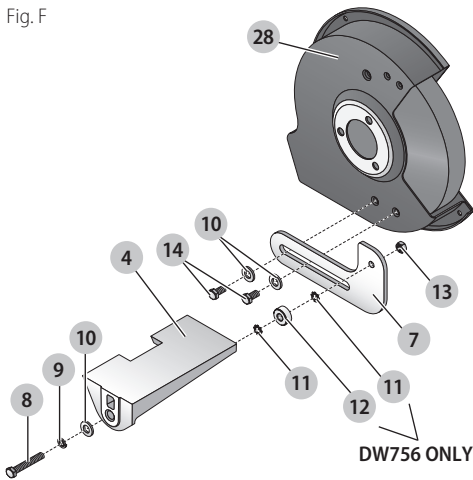
Next, for the DW756 and the DW758, secure the bracket/tool rest assembly to the wheel guard **28** using the two 1/4"-20 UNC bolts **14**, and two flat washers **10**.

Proceed to install the other tool rest using the same description.

 **CAUTION:** Longer bolts may interfere with the movement of the grinding wheel.

**NOTE:** When in use, the tool rests should be adjusted to within 1/8" (3.18 mm) of the grinding wheel or other accessory being used.

Fig. F

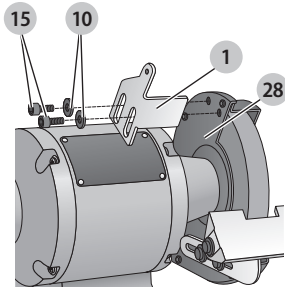


### Installing Spark Guards (Fig. G)

The spark guards **1** are identified L for left and R for right. Refer to Figure G to install the spark guard to the wheel guard **28** using the two bolts **15** and flat washers **10**. Adjust the edge of the spark guard to within 1/16" (1.6 mm) of the grinding wheel or other accessory. Tighten the two bolts **15** securely.

Proceed to install the other spark guard using the same description.

Fig. G



### Installing Eye Shields (Fig. H)

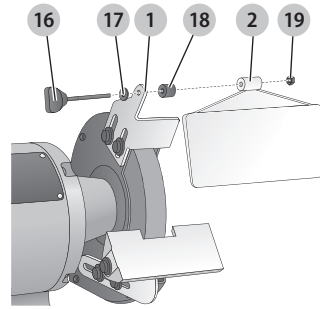
**! WARNING:** Eye shields are not designed to replace safety glasses.

Install the eye shields **2** (they will fit either side) to the brackets, as shown in Figure H. Screw the plastic knob **16** through the washer **17**, the spark guard **1**, the spacer **18**, the eye shield **2** and finally into the nut **19**. Adjust eye shields so they are between the wheels and your eyes.

Proceed to install the other eye shield using the same description.

Tighten the shields in place by tightening the plastic knob **16** in the bracket assembly. Remove protective film.

Fig. H



### OPERATION

**! WARNING:** To reduce the risk of serious personal injury, turn unit off and disconnect it from power source before making any adjustments or removing/installing attachments or accessories. An accidental start-up can cause injury.

**! CAUTION:** Prolonged grinding will cause most materials to become hot. Handle them with pliers or thick gloves.

**! CAUTION:** Never attempt to use your bench grinder unless it is firmly bolted to a workbench or rigid frame that is also firmly attached to the floor.

- Before turning the grinder on, put on safety glasses.
- Turn on the grinder and allow it to reach full speed (3450 RPM - DW756, 3600 RPM - DW758).
- Hold the workpiece firmly and against the tool rest.
- Hold very small pieces with pliers or other suitable clamps.
- Feed the work smoothly and evenly into the grinding wheel.
- Move the work slowly and avoid jamming the work against the wheel. As the wheel tends to slow down you should occasionally release the pressure to let the wheel return to full speed.
- Grind only on the face of the grinding wheel and never on the side. (Some wheels are designed for side grinding and will say so on their instruction sheets).

### Switch (Fig. A)

The switch **5** is located on the front of the grinder, on the base.

To turn the tool on depress the side of the rocker switch on the left side, marked "ON".

To turn off the grinder, depress the right side of the rocker switch, marked "OFF".

## MAINTENANCE

- ⚠ WARNING:** To reduce the risk of serious personal injury, turn unit off and disconnect it from power source before making any adjustments or removing/installing attachments or accessories. An accidental start-up can cause injury.

## Cleaning

- ⚠ WARNING:** Blow dirt and dust out of all air vents with clean, dry air at least once a week. To minimize the risk of eye injury, always wear ANSI Z87.1 approved eye protection when performing this.
- ⚠ WARNING:** Never use solvents or other harsh chemicals for cleaning the non-metallic parts of the tool. These chemicals may weaken the plastic materials used in these parts. Use a cloth dampened only with water and mild soap. Never let any liquid get inside the tool; never immerse any part of the tool into a liquid.

## Accessories

- ⚠ WARNING:** Since accessories, other than those offered by DEWALT, have not been tested with this product, use of such accessories with this tool could be hazardous. To reduce the risk of injury, only DEWALT recommended accessories should be used with this product.
- ⚠ WARNING:** To reduce the risk of injury, always use proper guards when grinding and wear eye protection.
- ⚠ CAUTION:** Strands of wire cup brushes may break and fly off while in use. Users and others in the area should wear adequate eye, face and body protection. Use only wire cup brushes that are rated at or greater than the RPM shown on the tool's nameplate.
- ⚠ CAUTION:** The use of any non-recommended accessory may be hazardous.

Recommended accessories for use with your tool are available at extra cost from your local dealer or authorized service center. If you need assistance in locating any accessory, please contact DEWALT Industrial Tool Co., 701 East Joppa Road, Towson, MD 21286, call 1-800-4-DEWALT (1-800-433-9258) or visit our website: [www.dewalt.com](http://www.dewalt.com).

Grinding wheels must fit within the confines of the guard and must be rated higher than the recommended speed as marked on the bench grinder nameplate.

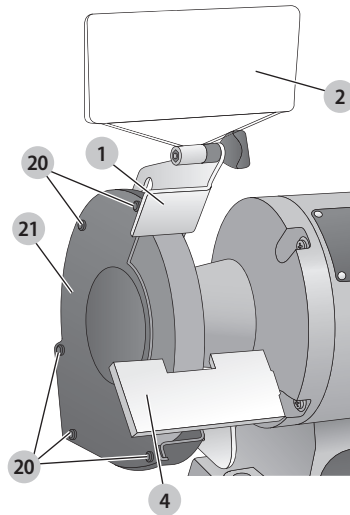
## Changing Accessories (Fig. F, G, I, J, K)

Change accessories when the spark guard can no longer be adjusted to 1/16" (1.6 mm) from the wheel.

**DW756** - use only wheels that measure 6" (152 mm) in diameter. This tool has 1/2" (13 mm) arbors on each side.

**DW758** - use only wheels that measure 8" (200 mm) in diameter. This tool has 5/8" (16 mm) arbors on each side.

Fig. I



Follow the steps below to remove and replace an accessory.

1. Raise the eye shield **2**.
2. Loosen, but do not remove, the tool rest bolts **8** and pull the tool rest **4** out as far as possible. Do not remove it.
3. Loosen, but do not remove, the spark guard bolts **15** and pull the spark guard **1** out as far as possible. Do not remove it.
4. Remove the screws **20** from both side covers **21** and remove the covers.
5. Using hex wrenches, grasp the two hex nuts **22** holding the wheels to the arbor shaft **23** at each end of the tool (Refer to Fig. J, K). To remove the wheel from the left side, turn the hex nut **22** clockwise while holding the other stationary. To remove the wheel from the right side, turn the hex nut **22** counter clockwise while holding the other stationary.
6. Remove the wheel flanges **24** and the wheel **25**.
7. Inspect the wheel for cracks, chips or any other visible damage (other than normal wear) and discard if such damage is found. Inspect the blotter **26** for damage. If the blotter is missing or severely damaged, replace it with a piece of thin cardboard or blotter paper cut to the same size. NEVER USE A WHEEL WITHOUT A BLOTTER.



Fig. J

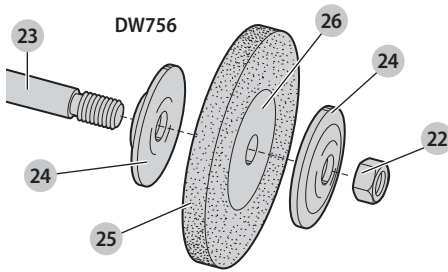
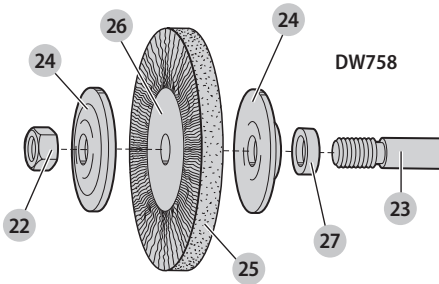


Fig. K



8. Install the new wheel or other accessory **25**.  
For the DW756 (Fig. J), be sure that the wheel flanges **24** are in place (concave side toward the wheel).  
For the DW758 (Fig. K), be sure the spacers **27** and the wheel flanges **24** are both in place (concave side toward the wheel).
9. Hold both hex nuts **22** as before and tighten them but do not overtighten. Overtightening can crack a grinding wheel.
10. Replace the wheel covers and their screws.
11. Adjust the spark guard **1** to 1/16" (1.6 mm) from the wheel and tighten securely.
12. Adjust the tool rest **4** to 1/8" (3.18 mm) from the wheel and tighten securely.
13. Adjust the eye shield **2** to a point between your eyes and the wheel. The bench grinder is now ready for use.
14. Follow the above steps to install buffing wheels and wire wheel brushes as well as grinding wheels.

## DW756

GRINDING WHEELS	MAX. SAFE SPEED
5/8" (16 mm) Face, 6" (152 mm) dia. 60 grit medium grinding wheel	4136 RPM
3/4" (19 mm) Face, 6" (152 mm) dia. 60 grit medium grinding wheel	4136 RPM
5/8" (16 mm) Face, 6" (152 mm) dia. 36 grit coarse grinding wheel	4136 RPM
1/2" (13 mm) Face, 6" (152 mm) dia. 60 grit medium grinding wheel	3825 RPM
BUFFING WHEELS	
5/8" (16 mm) Face, 6" (152 mm) dia. cotton buffing wheel	3600 RPM
WIRE WHEEL BRUSHES	
1/2" (13 mm) arbor, 5/8" (16 mm) Face, 6" (152 mm) dia.	3600 RPM

## DW758

GRINDING WHEELS	MAX. SAFE SPEED
7/8" (22 mm) & 1" (25 mm) Face, 8" (200 mm) dia. 60 grit medium grinding wheel	3600 RPM
7/8" (22 mm) & 1" (25 mm) Face, 8" (200 mm) dia. 36 grit coarse grinding wheel	3600 RPM
BUFFING WHEEL	
5/8" (16 mm) arbor, 8" dia. cotton buffing wheel	3600 RPM
WIRE WHEEL BRUSHES	
5/8" (16 mm) arbor, 5/8" (16 mm)–1–1/4" (32 mm) Face, 8" (200 mm) dia.	3600 RPM

## Repairs

- ⚠ WARNING:** To assure product SAFETY and RELIABILITY, repairs, maintenance and adjustment (including brush inspection and replacement, when applicable) should be performed by a DeWALT factory service center or a DeWALT authorized service center. Always use identical replacement parts.

## Register Online

Thank you for your purchase. Register your product now for:

- **WARRANTY SERVICE:** Registering your product will help you obtain more efficient warranty service in case there is a problem with your product.
- **CONFIRMATION OF OWNERSHIP:** In case of an insurance loss, such as fire, flood or theft, your registration of ownership will serve as your proof of purchase.
- **FOR YOUR SAFETY:** Registering your product will allow us to contact you in the unlikely event a safety notification is required under the Federal Consumer Safety Act.

Register online at [www.dewalt.com/register](http://www.dewalt.com/register).

ENGLISH

## Three Year Limited Warranty

DeWALT will repair, without charge, any defects due to faulty materials or workmanship for three years from the date of purchase. This warranty does not cover part failure due to normal wear or tool abuse. For further detail of warranty coverage and warranty repair information, visit [www.dewalt.com](http://www.dewalt.com) or call 1-800-4-DeWALT (1-800-433-9258). This warranty does not apply to accessories or damage caused where repairs have been made or attempted by others. THIS LIMITED WARRANTY IS GIVEN IN LIEU OF ALL OTHERS, INCLUDING THE IMPLIED WARRANTY OF MERCHANTABILITY AND FITNESS FOR A PARTICULAR PURPOSE, AND EXCLUDES ALL INCIDENTAL OR CONSEQUENTIAL DAMAGES. Some states do not allow limitations on how long an implied warranty lasts or the exclusion or limitation of incidental or consequential damages, so these limitations may not apply to you. This warranty gives you specific legal rights and you may have other rights which vary in certain states or provinces. In addition to the warranty, DeWALT tools are covered by our:

### 1 YEAR FREE SERVICE

DeWALT will maintain the tool and replace worn parts caused by normal use, for free, any time during the first year after purchase.

### 90 DAY MONEY BACK GUARANTEE

If you are not completely satisfied with the performance of your DeWALT Power Tool, Laser, or Nailer for any reason, you can return it within 90 days from the date of purchase with a receipt for a full refund – no questions asked.

**LATIN AMERICA:** This warranty does not apply to products sold in Latin America. For products sold in Latin America, see country specific warranty information contained in the packaging, call the local company or see website for warranty information.

**FREE WARNING LABEL REPLACEMENT:** If your warning labels become illegible or are missing, call 1-800-4-DeWALT (1-800-433-9258) for a free replacement.

## Définitions : symboles et termes d'alarmes sécurité

Ces guides d'utilisation utilisent les symboles et termes d'alarmes sécurité suivants pour vous prévenir de situations dangereuses et de risques de dommages corporels ou matériels.





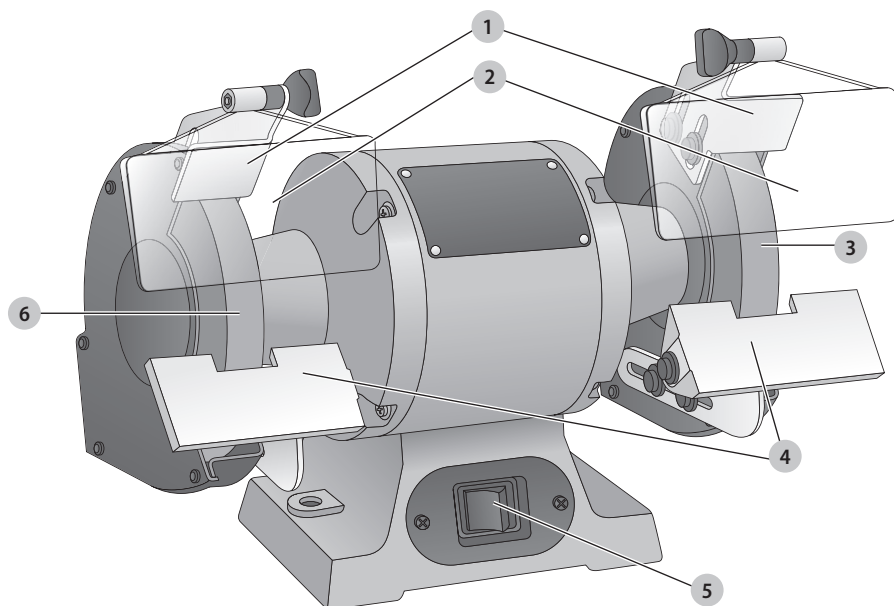

-  **DANGER** : indique une situation dangereuse imminente qui, si elle n'est pas évitée, **entraînera la mort ou des blessures graves**.
  -  **AVERTISSEMENT** : indique une situation potentiellement dangereuse qui, si elle n'est pas évitée, **pourrait entraîner la mort ou des blessures graves**.
  -  **ATTENTION** : indique une situation potentiellement dangereuse qui, si elle n'est pas évitée, **pourrait entraîner des blessures légères ou modérées**.
  -  (Si utilisé sans aucun terme) Indique un message propre à la sécurité.
- AVIS** : indique une pratique ne posant **aucun risque de dommages corporels** mais qui par contre, si rien n'est fait pour l'éviter, **pourrait poser des risques de dommages matériels**.

Fig. A



- 1 Pare-étincelles
- 2 Écrans oculaires
- 3 Meule à gros grain (36 grains)
- 4 Appuis
- 5 L'interrupteur (On/Off)
- 6 Meule à grain moyen (60 grains)

 **AVERTISSEMENT!** lire tous les avertissements de sécurité et toutes les directives. Le non-respect des avertissements et des directives pourrait se solder par un choc électrique, un incendie et/ou une blessure grave.

 **AVERTISSEMENT** : afin de réduire le risque de blessures, lire le mode d'emploi de l'outil.

**Pour toute question ou remarque au sujet de cet outil ou de tout autre outil DEWALT, composez le numéro sans frais : 1-800-4-DEWALT (1-800-433-9258).**

## AVERTISSEMENTS DE SÉCURITÉ GÉNÉRAUX POUR LES OUTILS ÉLECTRIQUES



**AVERTISSEMENT!** lire tous les avertissements de sécurité et toutes les directives. Le non-respect des avertissements et des directives pourrait se solder par un choc électrique, un incendie et/ou une blessure grave.

### CONSERVER TOUS LES AVERTISSEMENTS ET TOUTES LES DIRECTIVES POUR UN USAGE ULTÉRIEUR

Le terme « outil électrique » cité dans les avertissements se rapporte à votre outil électrique à alimentation sur secteur (avec fil) ou par piles (sans fil).

#### 1) Sécurité du lieu de travail

- Tenir l'aire de travail propre et bien éclairée.**  
Les lieux encombrés ou sombres sont propices aux accidents.
- Ne pas faire fonctionner d'outils électriques dans un milieu déflamant, tel qu'en présence de liquides, de gaz ou de poussières inflammables.**  
Les outils électriques produisent des étincelles qui pourraient enflammer la poussière ou les vapeurs.
- Éloigner les enfants et les personnes à proximité pendant l'utilisation d'un outil électrique.** Une distraction pourrait en faire perdre la maîtrise à l'utilisateur.

#### 2) Sécurité en matière d'électricité

- Les fiches des outils électriques doivent correspondre à la prise. Ne jamais modifier la fiche d'aucune façon. Ne jamais utiliser de fiche d'adaptation avec un outil électrique mis à la terre.** Le risque de choc électrique sera réduit par l'utilisation de fiches non modifiées correspondant à la prise.
- Éviter tout contact physique avec des surfaces mises à la terre comme des tuyaux, des radiateurs, des cuisinières et des réfrigérateurs.** Le risque de choc électrique est plus élevé si votre corps est mis à la terre.
- Ne pas exposer les outils électriques à la pluie ou à l'humidité.** La pénétration de l'eau dans un outil électrique augmente le risque de choc électrique.
- Ne pas utiliser le cordon de façon abusive. Ne jamais utiliser le cordon pour transporter, tirer ou débrancher un outil électrique. Tenir le cordon éloigné de la chaleur, de l'huile, des bords tranchants et des pièces mobiles.** Les cordons endommagés ou enchevêtrés augmentent les risques de choc électrique.
- Pour l'utilisation d'un outil électrique à l'extérieur, se servir d'une rallonge convenant à cette application.** L'utilisation d'une rallonge conçue pour l'extérieur réduira les risques de choc électrique.

- S'il est impossible d'éviter l'utilisation d'un outil électrique dans un endroit humide, brancher l'outil dans une prise ou sur un circuit d'alimentation dotés d'un disjoncteur de fuite à la terre (GFCI).** L'utilisation de ce type de disjoncteur réduit les risques de choc électrique.

#### 3) Sécurité personnelle

- Être vigilant, surveiller le travail effectué et faire preuve de jugement lorsqu'un outil électrique est utilisé. Ne pas utiliser d'outil électrique en cas de fatigue ou sous l'influence de drogues, d'alcool ou de médicaments.** Un simple moment d'inattention en utilisant un outil électrique peut entraîner des blessures corporelles graves.
  - Utiliser des équipements de protection individuelle. Toujours porter une protection oculaire.** L'utilisation d'équipements de protection comme un masque antipoussière, des chaussures antidérapantes, un casque de sécurité ou des protecteurs auditifs lorsque la situation le requiert réduira les risques de blessures corporelles.
  - Empêcher les démarrages intempestifs. S'assurer que l'interrupteur se trouve à la position d'arrêt avant de relier l'outil à une source d'alimentation et/ou d'insérer un bloc-piles, de ramasser ou de transporter l'outil.** Transporter un outil électrique alors que le doigt repose sur l'interrupteur ou brancher un outil électrique dont l'interrupteur est à la position de marche risque de provoquer un accident.
  - Retirer toute clé de réglage ou clé avant de démarrer l'outil.** Une clé ou une clé de réglage attachée à une partie pivotante de l'outil électrique peut provoquer des blessures corporelles.
  - Ne pas trop tendre les bras. Conserver son équilibre en tout temps.** Cela permet de mieux maîtriser l'outil électrique dans les situations imprévues.
  - S'habiller de manière appropriée. Ne pas porter de vêtements amples ni de bijoux. Garder les cheveux, les vêtements et les gants à l'écart des pièces mobiles.** Les vêtements amples, les bijoux ou les cheveux longs risquent de rester coincés dans les pièces mobiles.
  - Si des composants sont fournis pour le raccordement de dispositifs de dépoussiérage et de ramassage, s'assurer que ceux-ci sont bien raccordés et utilisés.** L'utilisation d'un dispositif de dépoussiérage peut réduire les dangers engendrés par les poussières.
- #### 4) Utilisation et entretien d'un outil électrique
- Ne pas forcer un outil électrique. Utiliser l'outil électrique approprié à l'application.** L'outil électrique approprié effectuera un meilleur travail, de façon plus sûre et à la vitesse pour laquelle il a été conçu.

- b) **Ne pas utiliser un outil électrique dont l'interrupteur est défectueux.** Tout outil électrique dont l'interrupteur est défectueux est dangereux et doit être réparé.
- c) **Débrancher la fiche de la source d'alimentation et/ou du bloc-piles de l'outil électrique avant de faire tout réglage ou changement d'accessoire ou avant de ranger l'outil.** Ces mesures préventives réduisent les risques de démarrage accidentel de l'outil électrique.
- d) **Ranger les outils électriques hors de la portée des enfants et ne permettre à aucune personne n'étant pas familière avec un outil électrique ou son mode d'emploi d'utiliser cet outil.** Les outils électriques deviennent dangereux entre les mains d'utilisateurs inexpérimentés.
- e) **Entretien des outils électriques. Vérifier si les pièces mobiles sont mal alignées ou coincées, si des pièces sont brisées ou présentent toute autre condition susceptible de nuire au bon fonctionnement de l'outil électrique. En cas de dommage, faire réparer l'outil électrique avant toute nouvelle utilisation.** Beaucoup d'accidents sont causés par des outils électriques mal entretenus.
- f) **S'assurer que les outils de coupe sont aiguisés et propres.** Les outils de coupe bien entretenus et affûtés sont moins susceptibles de se coincer et sont plus faciles à maîtriser.
- g) **Utiliser l'outil électrique, les accessoires, les forêts, etc. conformément aux présentes directives en tenant compte des conditions de travail et du travail à effectuer.** L'utilisation d'un outil électrique pour toute opération autre que celle pour laquelle il a été conçu est dangereuse.

## 5) Réparation

- a) **Faire réparer l'outil électrique par un réparateur professionnel en n'utilisant que des pièces de rechange identiques.** Cela permettra de maintenir une utilisation sécuritaire de l'outil électrique.

## Mesures de sécurité additionnelles relatives aux meuleuses

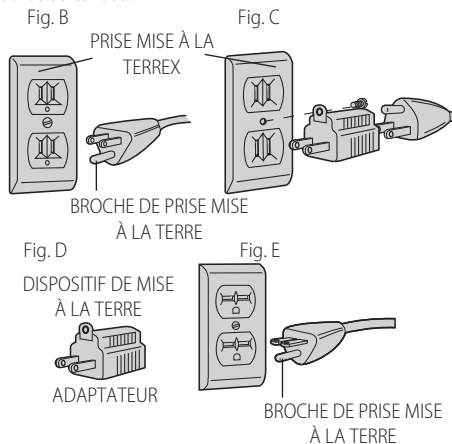
- **UTILISER SYSTÉMATIQUEMENT LES PARE-ÉTINCELLES ET LES ÉCRANS OCULAIRES. LORS DU MEULAGE, MAINTENIR SYSTÉMATIQUEMENT LES PARE-ÉTINCELLES EN PLACE.**
- Utiliser seulement des meules dont le régime maximal équivaut au moins au régime à vide indiqué sur la plaque signalétique de l'outil. Utiliser exclusivement des meules spécifiques à la vitesse de la meuleuse.
- Utiliser exclusivement les brides fournies avec la meuleuse.
- Régler régulièrement la distance entre la meule et le travail pour maintenir un espace de 3,18 mm (1/8 po.) ou moins, car le diamètre de la meule diminuera à l'usage.
- Avant d'utiliser un accessoire recommandé, vérifier s'il ne renferme aucune fêlure ni défaut. Le cas échéant, jeter

l'accessoire. **NE PAS SE SERVIR D'UNE MEULE QUI PORTE DES TRACES DE FÊLURES OU DE DÉFAUTS.**

- Au moment du démarrage de l'outil, le laisser fonctionner pendant une minute. Ne jamais mettre l'outil en marche lorsqu'une personne (y compris l'utilisateur) se trouve dans la trajectoire de la meule.
- Ne jamais meuler à l'aide des côtés de la meule, sauf si celle-ci est conçue à cet effet.
- Attention à ne pas trop serrer l'écrou hexagonal, car cela pourrait faire fendre la meule.
- Nettoyer régulièrement le creux autour de la meule.

## Mise à la terre

L'outil devrait être mis à la terre lors de son utilisation afin de protéger l'utilisateur contre les risques de secousses électriques. L'outil est doté d'un cordon trifilaire et d'une fiche à trois broches de type mis à la terre qui s'insère dans une prise mise à la terre. Le conducteur vert (ou vert et jaune) du cordon est le fil de mise à la terre. Ne jamais raccorder le fil vert (ou vert et jaune) à une borne sous tension. Lorsque l'outil est conçu pour recevoir une alimentation de moins de 150 volts, il est doté d'une fiche semblable à celle illustrée à la Figure B. Lorsque l'outil est conçu pour recevoir une alimentation variant entre 150 et 250 volts, il est doté d'une fiche semblable à celle illustrée à la Figure E. On peut se procurer un adaptateur (Fig. C et D) pour brancher une fiche semblable à celle de la Figure B dans des prises à deux orifices. Il faut alors relier la tige, la cosse ou le dispositif similaire de couleur verte à une mise à la terre permanente (comme une prise bien mise à la terre). Il n'y a pas d'adaptateur pour la fiche illustrée à la Figure E. L'adaptateur illustré aux Figures C et D ne peut pas être utilisé au Canada.



## Consigne de sécurité supplémentaire



**AVERTISSEMENT :** porter **SYSTEMATIQUEMENT** des lunettes de protection. Les lunettes courantes NE sont PAS des lunettes de protection. Utiliser aussi un masque antipoussières si la découpe doit en produire beaucoup. **PORTER SYSTEMATIQUEMENT UN ÉQUIPEMENT DE SÉCURITÉ HOMOLOGUÉ :**

- Protection oculaire ANSI Z87.1 (CAN/CSA Z94.3) ;
- Protection auditive ANSI S12.6 (S3.19) ;
- Protection des voies respiratoires NIOSH/OSHA/MSHA.



**AVERTISSEMENT :** les scies, meules, ponceuses, perceuses ou autres outils de construction peuvent produire des poussières contenant des produits chimiques reconnus par l'État californien pour causer cancers, malformations congénitales ou être nocifs au système reproducteur. Parmi ces produits chimiques, on retrouve :

- Le plomb dans les peintures à base de plomb ;
- La silice cristallisée dans les briques et le ciment, ou autres produits de maçonnerie ; et
- L'arsenic et le chrome dans le bois ayant subi un traitement chimique.

Le risque associé à de telles expositions varie selon la fréquence à laquelle on effectue ces travaux. Pour réduire toute exposition à ces produits : travailler dans un endroit bien aéré, en utilisant du matériel de sécurité homologué, tel un masque antipoussières spécialement conçu pour filtrer les particules microscopiques.

- **Limiter toute exposition prolongée avec les poussières provenant du ponçage, sciage, meulage, perçage ou toute autre activité de construction. Porter des vêtements de protection et nettoyer à l'eau savonneuse les parties du corps exposées.** Le fait de laisser la poussière pénétrer dans la bouche, les yeux ou la peau peut favoriser l'absorption de produits chimiques dangereux.



**AVERTISSEMENT :** cet outil peut produire et/ou répandre de la poussière susceptible de causer des dommages sérieux et permanents au système respiratoire. Utiliser systématiquement un appareil de protection des voies respiratoires homologué par le NIOSH ou l'OSHA. Diriger les particules dans le sens opposé au visage et au corps.



**AVERTISSEMENT :** pendant l'utilisation, porter systématiquement une protection auditive individuelle adéquate homologuée ANSI S12.6 (S3.19). Sous certaines conditions et suivant la durée d'utilisation, le bruit émanant de ce produit pourrait contribuer à une perte de l'acuité auditive.

- **Prendre des précautions à proximité des événements, car ils cachent des pièces mobiles.** Vêtements amples, bijoux ou cheveux longs risquent de rester coincés dans ces pièces mobiles.
- **Pour la sécurité de l'utilisateur, utiliser une rallonge de calibre adéquat (AWG, American Wire Gauge [calibrage américain normalisé des fils électriques]).**

Plus le calibre est petit, et plus sa capacité est grande. Un calibre 16, par exemple, a une capacité supérieure à un calibre 18. L'usage d'une rallonge de calibre insuffisant causera une chute de tension qui entraînera perte de puissance et surchauffe. Si plus d'une rallonge est utilisée pour obtenir une certaine longueur, s'assurer que chaque rallonge présente au moins le calibre de fil minimum. Le tableau ci-dessous illustre les calibres à utiliser selon la longueur de rallonge et l'intensité nominale indiquée sur la plaque signalétique. En cas de doute, utiliser le calibre suivant. Plus le calibre est petit, plus la rallonge peut supporter de courant.

### Calibre minimum pour les cordons d'alimentation

Volts		Longueur totale du cordon d'alimentation en mètre (pieds)			
120 V		7,6 (25)	15,2 (50)	30,5 (100)	45,7 (150)
240 V		15,2 (50)	30,5 (100)	61,0 (200)	91,4 (300)
Ampères		AWG			
Plus que	Pas plus que				
0	6	18	16	16	14
6	10	18	16	14	12
10	12	16	16	14	12
12	16	14	12	Non recommandé	

L'étiquette apposée sur votre outil peut inclure les symboles suivants. Les symboles et leur définition sont indiqués ci-après :

V .....	volts		or AC.....	courant alternatif
Hz .....	hertz		or AC/DC....	courant alternatif ou continu
min .....	minutes		.....	fabrication classe II (double isolation)
	or DC.....	courant continu		
	.....	fabrication classe I (mis à la terre)		
... /min.....	par minute	$n_0$ .....	vitesse à vide	
BPM .....	batttements par minute	n .....	vitesse nominale	
IPM .....	impacts par minute		borne de terre	
RPM .....	revolutions per minute		symbole d'avertissement	
sfpm .....	pieds linéaires par minute (plpm)		radiation visible	
SPM (FPM) .....	fréquence par minute		protection respiratoire	
A .....	ampères		protection oculaire	
W .....	watts		protection auditive	
			lire toute la documentation	

## CONSERVER CES CONSIGNES POUR UTILISATION ULTÉRIEURE

### Moteur

S'assurer que le bloc d'alimentation est compatible avec l'inscription de la plaque signalétique. Une diminution de tension de plus de 10 % provoquera une perte de puissance et une surchauffe. Les outils DEWALT sont testés en usine ; si cet outil ne fonctionne pas, vérifier l'alimentation électrique.

## CARACTÉRISTIQUES

	DW756	DW758
Meuleuse d'établi	152 mm (6 po.)	200 mm (8 po.)
À arbre	13 mm (1/2 po.)	16 mm (5/8 po.)
TRS/min	3450	3600

## DESCRIPTION (FIG. A)

**AVERTISSEMENT :** ne jamais modifier l'outil électrique ni aucun de ses composants, car il y a risques de dommages corporels ou matériels.

Reportez-vous en Figure A au début de ce manuel pour obtenir la liste complète des composants.

## Usage Prévu

Ce touret est conçu pour les applications professionnelles.

**NE PAS** les utiliser en milieu ambiant humide ou en présence de liquides ou de gaz inflammables.

Ce touret est un outil électrique professionnel. **NE PAS** le laisser à la portée des enfants. Une supervision est nécessaire auprès de tout utilisateur non expérimenté.

## ASSEMBLAGE ET AJUSTEMENTS

**AVERTISSEMENT :** pour réduire le risque de blessures graves, éteindre l'outil et retirer le débrancher avant d'effectuer tout réglage et d'enlever ou d'installer tout accessoire. Un démarrage accidentel peut provoquer des blessures.

## Montage sur établi

- Il faut débrancher la meuleuse.
- Retirez le gabarit de perçage de ce guide d'utilisation (page 26) et positionnez-le sur l'établi. Vérifiez que le secteur est à proximité de la meuleuse. Collez le gabarit sur l'établi.
- Avec un poinçon, marquer le centre des trous à percer.
- Percer des trous de dimensions appropriées.
- Insérez les boulons à tête hexagonale M8 dans les rondelles puis dans les trous. On peut également utiliser des rondelles sur la face inférieure de l'établi.
- Serrer les écrous; éviter de trop les serrer. Les pattes de caoutchouc doivent absorber les vibrations lorsque la meuleuse fonctionne.

## Installation des appuis (Fig. F)

Il y a un appui gauche et un appui droit. Arrimez tout d'abord l'appui 4 au dispositif de fixation 7 à l'aide du boulon 8, de la rondelle élastique 9, de la rondelle plate 10, d'une rondelle à dents 11 et de l'écrou 13. Pour le modèle DW756, une bague entretoise 12 et une rondelle à dents 11 externe supplémentaires sont requises, comme illustré en Figure F.

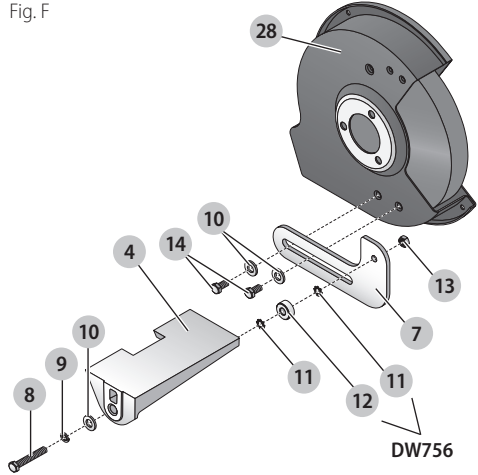
Puis, pour les modèles DW756 et DW758, arrimez l'ensemble dispositif de fixation/appui au carter de meule 28 à l'aide de deux boulons 20 UNC de 1/4 po. 14 et deux rondelles plates 10.

Continuez en installant l'autre appui de la même façon.

**ATTENTION :** des boulons plus longs pourront interférer avec le mouvement de la meule.

**REMARQUE :** pendant l'utilisation, les appuis doivent être ajustés à 3,18 mm (1/8 po.) de la meule ou de tout autre accessoire utilisé.

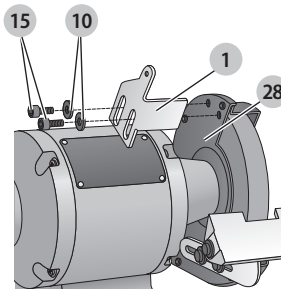
Fig. F



## Installation des pare-étincelles (Fig. G)

Les pare-étincelles 1 ont été identifiés, L pour gauche, R pour droit. Reportez-vous en figure C pour installer le pare-étincelles au carter de meule 28 à l'aide de deux boulons 15 et rondelles plates 10. Ajustez le bord du pare-étincelles à 1,6 mm (1/16 po.) de la meule ou tout autre accessoire. Serrez soigneusement les deux boulons 15. Continuez en installant l'autre pare-étincelles de la même façon.

Fig. G



## Installation des écrans oculaires (Fig. H)

**AVERTISSEMENT :** les écrans oculaires n'ont pas été conçus pour remplacer des lunettes de protection.

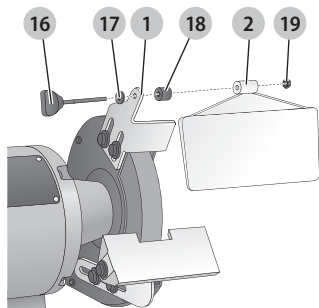
Installez les écrans oculaires 2, indifféremment de l'un ou l'autre côté, sur les pattes de fixation, comme illustré en Figure H. Vissez le bouton plastique 16 dans la rondelle 17, le pare-étincelle 1, la bague entretoise 18, l'écran oculaire 2 et enfin l'écrou 19. Ajustez les écrans oculaires de façon à ce qu'ils se trouvent entre les meules et vos yeux. Continuez en installant l'autre écran oculaire de la même façon.



## FRANÇAIS

Serrez soigneusement les écrans en resserrant le bouton plastique **16** sur la patte de fixation. Retirez le film protecteur.

Fig. H



## UTILISATION

**AVERTISSEMENT** : pour réduire le risque de blessures graves, éteindre l'outil et retirer le débrancher avant d'effectuer tout réglage et d'enlever ou d'installer tout accessoire. Un démarrage accidentel peut provoquer des blessures.

**ATTENTION** : le meulage prolongé fait chauffer la plupart des matériaux. Manipulez-les avec des pinces ou des gants épais.

**ATTENTION** : ne jamais tenter d'utiliser votre meuleuse d'établi si elle n'est pas solidement vissée à un établi ou à un châssis rigide lui-même solidement arrimé au sol.

- Avant de démarrer l'outil, mettre des lunettes de sécurité.
- Mettre l'outil en marche et attendre son régime nominal (3450 trs/min dans le cas du modèle DW756 et 3600 trs/min pour le modèle DW758).
- Saisir fermement la pièce à ouvrir et bien l'appuyer contre l'appui.
- Utiliser des pinces appropriées pour retenir de très petites pièces.
- Alimenter uniformément la pièce contre le meule.
- Déplacer lentement la pièce et éviter de la bloquer contre le meule. Lorsque la meule ralentit, exercer une pression moins forte contre celle-ci afin de la laisser revenir à son régime nominal.
- Se servir seulement de la face de la meule, jamais les côtés. (Certaines meules sont conçues pour meuler sur les côtés et cela est indiqué sur les consignes qui les accompagnent.)

## Interrupteur (Fig. A)

L'interrupteur **5** se trouve à l'avant de l'outil, sur le socle. Pour mettre l'outil en marche, enfoncer le côté gauche de l'interrupteur à bascule portant la mention ON.

Pour arrêter l'outil, enfoncer le côté droit de l'interrupteur à bascule portant la mention OFF.

## MAINTENANCE

**AVERTISSEMENT** : pour réduire le risque de blessures graves, éteindre l'outil et retirer le débrancher avant d'effectuer tout réglage et d'enlever ou d'installer tout accessoire. Un démarrage accidentel peut provoquer des blessures.

## Nettoyage

**AVERTISSEMENT** : enlever les saletés et la poussière hors des événements au moyen d'air comprimé propre et sec, au moins une fois par semaine. Pour minimiser le risque de blessure aux yeux, toujours porter une protection oculaire conforme à la norme ANSI Z87.1 lors du nettoyage.

**AVERTISSEMENT** : ne jamais utiliser de solvants ni d'autres produits chimiques puissants pour nettoyer les pièces non métalliques de l'outil. Ces produits chimiques peuvent affaiblir les matériaux de plastique utilisés dans ces pièces. Utiliser un chiffon humecté uniquement d'eau et de savon doux. Ne jamais laisser de liquide pénétrer dans l'outil et n'immerger aucune partie de l'outil dans un liquide.

## Accessoires

**AVERTISSEMENT** : puisque les accessoires autres que ceux offerts par DEWALT n'ont pas été testés avec ce produit, leur utilisation pourrait s'avérer dangereuse. Pour réduire le risque de blessures, utiliser exclusivement les accessoires DEWALT recommandés avec le présent produit.

**AVERTISSEMENT** : afin de minimiser les risques de blessures, toujours utiliser les protecteurs appropriés et porter des lunettes de sécurité.

**ATTENTION** : des fils métalliques peuvent se détacher des brosses métalliques et être projetés dans les air lors de l'utilisation. L'utilisateur et les observateurs doivent donc porter des lunettes de sécurité et tout autre équipement de protection pour le corps et le visage. Utiliser seulement des brosses métalliques dont le régime nominal est supérieur à celui indiqué sur la plaque signalétique de l'outil.

**ATTENTION** : l'utilisation de tout accessoire non recommandé peut être dangereuse. Remplacement des accessoires mettre la meuleuse d'établi hors tension et la débrancher.

Les accessoires recommandés pour cet outil sont vendus séparément au centre de service de votre région. Pour obtenir de l'aide concernant l'achat d'un accessoire, communiquer avec DEWALT Industrial Tool Co., 701 East Joppa Road, Towson, MD 21286 aux États-Unis; composer le 1 800 433-9258 (1 800 4-DEWALT) ou visiter notre site Web : [www.dewalt.com](http://www.dewalt.com).

Les meules doivent pouvoir rentrer dans l'espace laissé par le dispositif de protection et pouvoir tourner à une vitesse supérieure à la vitesse recommandée donnée sur la plaque signalétique de la meuleuse d'établi.



## Remplacement des accessoires

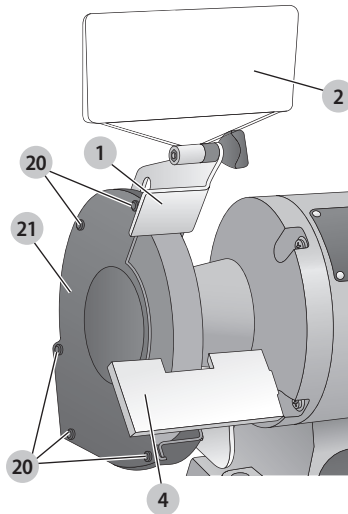
### (Fig. F, G, I, J, K)

Remplacer les accessoires lorsque le pare-étincelles ne peut plus être réglé à 1,6 mm (1/16 po.) de la meule.

**Modèle DW756** - utiliser seulement des meules de 152 mm (6 po.) de diamètre. L'outil est doté d'un arbre de 13 mm (1/2 po.) à chaque extrémité.

**Modèle DW758** - utiliser seulement des meules de 200 mm (8 po.) de diamètre. L'outil est doté d'un arbre de 16 mm (5/8 po.) à chaque extrémité.

Fig. I



Faire ce qui suit pour retirer et remplacer un accessoire.

1. Soulever l'écran protecteur **2**.
2. Desserrez sans les retirer les boulons **8** des appuis puis tirez les appuis **4** vers l'extérieur le plus loin possible. Ne pas le retirer.
3. Desserrez sans les retirer les boulons **15** du pare-étincelles puis tirez le pare-étincelles **1** vers l'extérieur le plus loin possible. Ne pas le retirer.
4. Retirez les vis **20** des deux capots latéraux **21** puis retirez ces derniers.
5. À l'aide d'une clé hexagonale, saisissez les deux écrous hexagonaux **22** retenant les meules à l'arbre **23** à chaque extrémité de l'outil (Fig. J, K). Pour retirer la meule du côté gauche, tournez l'écrou hexagonal **22** vers la droite tout en maintenant l'autre immobile. Pour retirer la meule du côté droit, tournez l'écrou hexagonal **22** vers la gauche tout en maintenant l'autre immobile.
6. Enlever la rondelle **24** de la meule et la meule **25**.
7. Inspecter la meule afin d'en déceler les fêlures, les accrocs ou tout autre dommage visible (autre que ceux dus à l'usure normale). Jeter les meules endommagées. Vérifier si les buvards **26** sont endommagés. Lorsqu'il en manque ou lorsqu'ils sont très endommagés, les remplacer par des morceaux de carton mince ou de papier buvard découpé dans la même forme. NE JAMAIS UTILISER UNE MEULE SANS BUVARD.

Fig. J

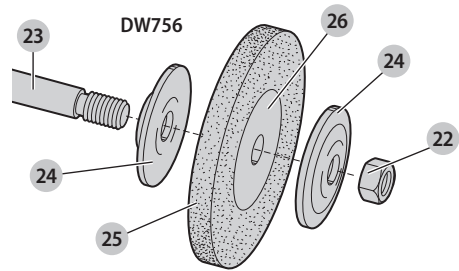
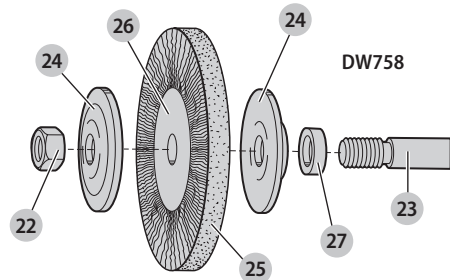


Fig. K



8. Installer la nouvelle meule ou tout autre accessoire **25**. Pour le modèle DW756 (Fig. J), assurez-vous que les brides de meule **24** sont bien positionnées (face concave contre la meule). Pour le modèle DW758 (Fig. K), assurez-vous qu'à la fois les bagues entretoises **27** et les brides de meule **24** sont bien positionnées (face concave contre la meule).
9. Maintenez les deux écrous hexagonaux **22** comme à l'origine puis revissez-les sans trop les serrer. Un écrou trop serré peut faire craquer la meule.
10. Réinstallez les capots de la meule et leur vis.
11. Régler le pare-étincelles **1** à 1,6 mm (1/16 po.) de la meule et bien le serrer.
12. Régler l'appui **4** à 3,18 mm (1/8 po.) de la meule et bien le serrer.
13. Régler l'écran protecteur **2** de sorte qu'il se trouve entre les yeux de l'utilisateur et la meule. On peut alors se servir de la meuleuse d'établi.
14. Respecter les consignes précédentes pour installer des meules de polissage, des brosses métalliques et des meules.

## FRANÇAIS

### DW756

MEULES	VITESSE NOMINALE
Face de 16 mm (5/8 po.), diam. de 152 mm (6 po.), 60 grains	4136 trs/min
Face de 19 mm (3/4 po.), diam. de 152 mm (6 po.), 60 grains	4136 trs/min
Face de 16 mm (5/8 po.), diam. de 152 mm (6 po.), 36 grains	4136 trs/min
Face de 13 mm (1/2 po.), diam. de 152 mm (6 po.), 60 grains	3825 trs/min
MEULES DE POLISSAGE	
Face de 16 mm (5/8 po.), diam. de 152 mm (6 po.), coton	3600 trs/min
BROSSES MÉTALLIQUES	
Arbre de 13 mm (1/2 po.), face de 16 mm (5/8 po.), diam. de 152 mm (6 po.)	3600 trs/min

### DW758

MEULES	VITESSE NOMINALE
Face de 22 mm (7/8 po.) et de 25 mm (1 po.), diam. de 200 mm (8 po.), 60 grains	3600 trs/min
Face de 22 mm (7/8 po.) et de 25 mm (1 po.), diam. de 200 mm (8 po.), 36 grains	3600 trs/min
MEULES DE POLISSAGE	
Arbre de 16 mm (5/8 po.), diam. de 200 mm (8 po.), coton	3600 trs/min
BROSSES MÉTALLIQUES	
Arbre de 16 mm (5/8 po.), face de 16 mm (5/8 po.) et de 32 mm (1 1/4 po.), diam. de 200 mm (8 po.)	3600 trs/min

## Réparations



**AVERTISSEMENT :** pour assurer la **SÉCURITÉ** et la **FIABILITÉ** du produit, les réparations, l'entretien et les réglages doivent être réalisés (cela comprend l'inspection et le remplacement du balai, le cas échéant) par un centre de réparation en usine DEWALT ou un centre de réparation agréé DEWALT. Toujours utiliser des pièces de rechange identiques.

## Registre en ligne

Merci pour votre achat. Enregistrez dès maintenant votre produit :

- **RÉPARATIONS SOUS GARANTIE :** cette carte remplie vous permettra de vous prévaloir du service de réparations sous garantie de façon plus efficace dans le cas d'un problème avec le produit.
- **CONFIRMATION DE PROPRIÉTÉ :** en cas de perte provoquée par un incendie, une inondation ou un vol, cette preuve de propriété vous servira de preuve auprès de votre compagnie d'assurances.

- **SÉCURITÉ :** l'enregistrement de votre produit nous permettra de communiquer avec vous dans l'éventualité peu probable de l'envoi d'un avis de sécurité régi par la loi fédérale américaine de la protection des consommateurs.

Registre en ligne à [www.dewalt.com/register](http://www.dewalt.com/register).

## Garantie limitée de trois ans

DEWALT réparera, sans frais, tout produit défectueux causé par un défaut de matériel ou de fabrication pour une période de trois ans à compter de la date d'achat. La présente garantie ne couvre pas les pièces dont la défectuosité a été causée par une usure normale ou l'usage abusif de l'outil. Pour obtenir de plus amples renseignements sur les pièces ou les réparations couvertes par la présente garantie, visiter le site [www.dewalt.com](http://www.dewalt.com) ou composer le 1 800 433-9258 (1 800 4-DEWALT). CETTE GARANTIE LIMITÉE REMPLACE TOUTE AUTRE GARANTIE, Y COMPRIS TOUTE GARANTIE IMPLICITE DE QUALITÉ MARCHANDE OU DE CONFORMITÉ À DES FINS PARTICULIÈRES, ET EXCLUT TOUT DOMMAGE ACCESSOIRE OU INDIRECT. Certains états n'autorisent aucune limitation quant à la durée d'une garantie implicite ni aucune exclusion ou limitation de garantie contre tout préjudice accessoire ou indirect, aussi il se peut que ces exclusions ne vous soient pas applicables. Cette garantie confère des droits légaux particuliers à l'acheteur, mais celui-ci pourrait aussi bénéficier d'autres droits variant d'un territoire à l'autre.

En plus de la présente garantie, les outils DEWALT sont couverts par notre :

### CONTRAT D'ENTRETIEN GRATUIT D'UN AN

DEWALT entretiendra l'outil et remplacera les pièces usées au cours d'une utilisation normale et ce, gratuitement, pendant une période d'un an à compter de la date d'achat.

### GARANTIE DE REMBOURSEMENT DE 90 JOURS

Si l'acheteur n'est pas entièrement satisfait, pour quelque raison que ce soit, du rendement de l'outil électrique, du laser ou de la cloueuse DEWALT, celui-ci peut le retourner, accompagné d'un reçu, dans les 90 jours à compter de la date d'achat pour obtenir un remboursement intégral, sans aucun problème.

**AMÉRIQUE LATINE :** cette garantie ne s'applique aux produits vendus en Amérique latine. Pour ceux-ci, veuillez consulter les informations relatives à la garantie spécifique présente dans l'emballage, appeler l'entreprise locale ou consulter le site Web pour les informations relatives à cette garantie.

### REMPLACEMENT GRATUIT DES ÉTIQUETTES

**D'AVERTISSEMENT :** si les étiquettes d'avertissement deviennent illisibles ou sont manquantes, composer le 1 800 433-9258 (1 800 4-DEWALT) pour en obtenir le remplacement gratuit.

## Definiciones: Símbolos y palabras de alerta de seguridad

Este manual de instrucciones utiliza los siguientes símbolos y palabras de alerta de seguridad para alertarle de situaciones peligrosas y del riesgo de lesiones corporales o daños materiales.



**PELIGRO:** Indica una situación de peligro inminente que, si no se evita, provocará **la muerte o lesiones graves**.



**ADVERTENCIA:** Indica una situación de peligro potencial que, si no se evita, **podría** provocar **la muerte o lesiones graves**.



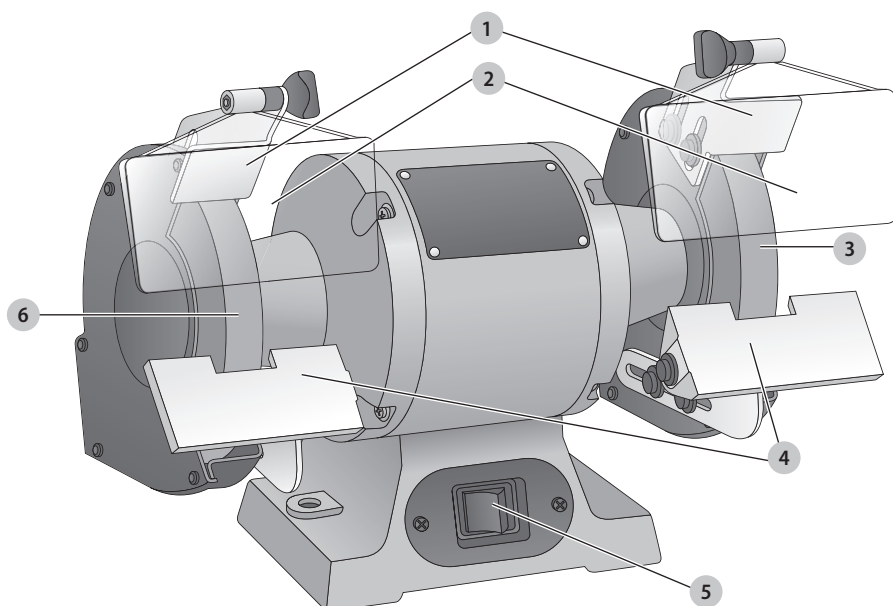
**ATENCIÓN:** Indica una situación de peligro potencial que, si no se evita, **posiblemente** provocaría **lesiones leves o moderadas**.



(Utilizado sin palabras) indica un mensaje de seguridad relacionado.

**AVISO:** Se refiere a una práctica **no relacionada a lesiones corporales** que de no evitarse **puede** resultar en **daños a la propiedad**.

Fig. A



- 1 Protectores contra chispas
- 2 Cubiertas de protección ocular
- 3 Piedra de esmeril grano grueso (grano 36)
- 4 Pedestales de descanso
- 5 Interruptor (ENCENDIDO/APAGADO)
- 6 Piedra de esmeril grano medio (grano 60)



**¡ADVERTENCIA!** Lea todas las advertencias de seguridad e instrucciones. El incumplimiento de las advertencias e instrucciones puede provocar descargas eléctricas, incendios o lesiones graves.



**ADVERTENCIA:** Para reducir el riesgo de lesiones, lea el manual de instrucciones.

Si tiene alguna duda o algún comentario sobre ésta u otra herramienta DeWALT, llámenos al número gratuito: 1-800-4-DeWALT (1-800-433-9258).

## ADVERTENCIAS GENERALES DE SEGURIDAD PARA HERRAMIENTAS ELÉCTRICAS

**!** **¡ADVERTENCIA!** Lea todas las advertencias de seguridad e instrucciones. El incumplimiento de las advertencias e instrucciones puede provocar descargas eléctricas, incendios o lesiones graves.

### CONSERVE TODAS LAS ADVERTENCIAS E INSTRUCCIONES PARA FUTURAS CONSULTAS

El término "herramienta eléctrica" incluido en las advertencias hace referencia a las herramientas eléctricas operadas con corriente (con cable eléctrico) o a las herramientas eléctricas operadas con baterías (inalámbricas).

#### 1) Seguridad en el Área de Trabajo

- Mantenga el área de trabajo limpia y bien iluminada.** Las áreas abarrotadas y oscuras propician accidentes.
- No opere las herramientas eléctricas en atmósferas explosivas, como ambientes donde haya polvo, gases o líquidos inflamables.** Las herramientas eléctricas originan chispas que pueden encender el polvo o los vapores.
- Mantenga alejados a los niños y a los espectadores de la herramienta eléctrica en funcionamiento.** Las distracciones pueden provocar la pérdida de control.

#### 2) Seguridad Eléctrica

- No enchufes de la herramienta eléctrica deben adaptarse al tomacorriente. Nunca modifique el enchufe de ninguna manera. No utilice ningún enchufe adaptador con herramientas eléctricas con conexión a tierra.** Los enchufes no modificados y que se adaptan a los tomacorrientes reducirán el riesgo de descarga eléctrica.
- Evite el contacto corporal con superficies con descargas a tierra como, por ejemplo, tuberías, radiadores, cocinas eléctricas y refrigeradores.** Existe mayor riesgo de descarga eléctrica si su cuerpo está puesto a tierra.
- No exponga las herramientas eléctricas a la lluvia o a condiciones de humedad.** Si entra agua a una herramienta eléctrica, aumentará el riesgo de descarga eléctrica.
- No maltrate el cable. Nunca utilice el cable para transportar, tirar o desenchufar la herramienta eléctrica. Mantenga el cable alejado del calor, el aceite, los bordes filosos y las piezas móviles.** Los cables dañados o enredados aumentan el riesgo de descarga eléctrica.
- Al operar una herramienta eléctrica en el exterior, utilice un cable prolongador adecuado para tal uso.** Utilice un cable adecuado para uso en exteriores a fin de reducir el riesgo de descarga eléctrica.
- Si el uso de una herramienta eléctrica en un lugar húmedo es imposible de evitar, utilice**

**un suministro protegido con un interruptor de circuito por falla a tierra (GFCI).** El uso de un GFCI reduce el riesgo de descargas eléctricas.

#### 3) Seguridad Personal

- Permanezca alerta, controle lo que está haciendo y utilice el sentido común cuando emplee una herramienta eléctrica. No utilice una herramienta eléctrica si está cansado o bajo el efecto de drogas, alcohol o medicamentos.** Un momento de descuido mientras se opera una herramienta eléctrica puede provocar lesiones personales graves.
- Utilice equipos de protección personal. Siempre utilice protección para los ojos.** En las condiciones adecuadas, el uso de equipos de protección, como máscaras para polvo, calzado de seguridad antideslizante, cascos o protección auditiva, reducirá las lesiones personales.
- Evite el encendido por accidente. Asegúrese de que el interruptor esté en la posición de apagado antes de conectarlo a la fuente de energía o paquete de baterías, o antes de levantar o transportar la herramienta.** Transportar herramientas eléctricas con el dedo apoyado en el interruptor o enchufar herramientas eléctricas con el interruptor en la posición de encendido puede propiciar accidentes.
- Retire la clavija de ajuste o la llave de tuercas antes de encender la herramienta eléctrica.** Una llave de tuercas o una clavija de ajuste que quede conectada a una pieza giratoria de la herramienta eléctrica puede provocar lesiones personales.
- No se estire. Conserve el equilibrio y párese adecuadamente en todo momento.** Esto permite un mejor control de la herramienta eléctrica en situaciones inesperadas.
- Use la vestimenta adecuada. No use ropas holgadas ni joyas. Mantenga el cabello, la ropa y los guantes alejados de las piezas en movimiento.** Las ropas holgadas, las joyas o el cabello largo pueden quedar atrapados en las piezas en movimiento.
- Si se suministran dispositivos para la conexión de accesorios con fines de recolección y extracción de polvo, asegúrese de que estén conectados y que se utilicen correctamente.** El uso de dispositivos de recolección de polvo puede reducir los peligros relacionados con el polvo.

#### 4) Uso y Mantenimiento de la Herramienta Eléctrica

- No fuerce la herramienta eléctrica. Utilice la herramienta eléctrica correcta para el trabajo que realizará.** Si se la utiliza a la velocidad para la que fue diseñada, la herramienta eléctrica correcta permite trabajar mejor y de manera más segura.
- No utilice la herramienta eléctrica si no puede encenderla o apagarla con el interruptor.** Toda

herramienta eléctrica que no pueda ser controlada mediante el interruptor es peligrosa y debe repararse.

- c) **Desconecte el enchufe de la fuente de energía o el paquete de baterías de la herramienta eléctrica antes de realizar ajustes, cambiar accesorios o almacenar la herramienta eléctrica.** Estas medidas de seguridad preventivas reducen el riesgo de encender la herramienta eléctrica en forma accidental.
- d) **Guarde la herramienta eléctrica que no esté en uso fuera del alcance de los niños y no permita que otras personas no familiarizadas con ella o con estas instrucciones operen la herramienta.** Las herramientas eléctricas son peligrosas si son operadas por usuarios no capacitados.
- e) **Realice el mantenimiento de las herramientas eléctricas. Revise que no haya piezas en movimiento mal alineadas o trabadas, piezas rotas o cualquier otra situación que pueda afectar el funcionamiento de la herramienta eléctrica. Si encuentra daños, haga reparar la herramienta eléctrica antes de utilizarla.** Se producen muchos accidentes a causa de las herramientas eléctricas que carecen de un mantenimiento adecuado.
- f) **Mantenga las herramientas de corte afiladas y limpias.** Las herramientas de corte con mantenimiento adecuado y con los bordes de corte afilados son menos propensas a trabarse y son más fáciles de controlar.
- g) **Utilice la herramienta eléctrica, los accesorios y las brocas de la herramienta, etc. de acuerdo con estas instrucciones y teniendo en cuenta las condiciones de trabajo y el trabajo que debe realizarse.** El uso de la herramienta eléctrica para operaciones diferentes de aquéllas para las que fue diseñada podría originar una situación peligrosa.

## 5) Mantenimiento

- a) **Solicite a una persona calificada en reparaciones que realice el mantenimiento de su herramienta eléctrica y que sólo utilice piezas de repuesto idénticas.** Esto garantizará la seguridad de la herramienta eléctrica.

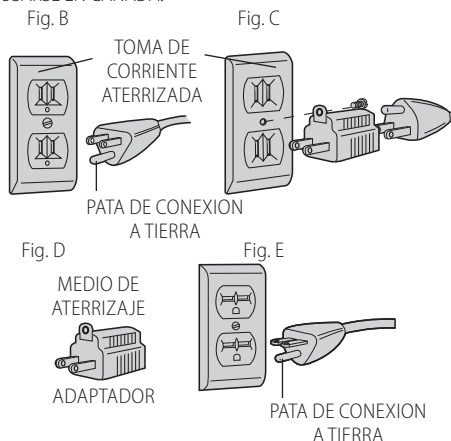
## Instrucciones adicionales de seguridad para esmeriladoras

- **UTILICE SIEMPRE LOS PROTECTORES Y LAS CUBIERTAS DE PROTECCIÓN OCULAR. AL ESMERILAR, MANTENGA SIEMPRE LOS PROTECTORES EN SU SITIO.**
- Utilice únicamente piedras de esmeril cuya velocidad máxima de operación sea por lo menos tan alta como la velocidad sin carga marcada en la placa de identificación de la herramienta. Utilice solamente discos de esmerilado adecuados para la velocidad de la esmeriladora.
- Utilice solo las pestañas suministradas con la esmeriladora.

- Ajuste la distancia entre el disco y el apoyo de la pieza de trabajo para mantener una separación de 3,18 mm (1/8") o menos puesto que el diámetro del disco disminuye con el uso.
- Antes de usar un accesorio recomendado, inspecciónelo en busca de cuarteaduras. Si tal cuarteadura es evidente, deseche el accesorio. **POR NINGÚN MOTIVO UTILICE UNA PIEDRA DE ESMERIL CUARTEADA.**
- Al encender la herramienta, déjela funcionar durante un minuto. Nunca encienda la herramienta cuando haya personas paradas en línea con ella, incluyendo al propio operador.
- No esmerile por los lados de las piedras de esmeril a menos que estén diseñadas específicamente para este propósito.
- No apriete demasiado la tuerca hexagonal, ya que podría rajarse el disco de esmerilado.
- Limpie la cavidad que circunda la piedra de esmeril periódicamente.

## Instrucciones de aterrizaje

Esta herramienta debe conectarse a tierra para proteger al operador de choques eléctricos. Esta unidad está equipada con un cordón eléctrico de tres hilos aprobado y una clavija para aterrizaje de tres patas para conectarse a la toma de corriente adecuada. El conductor verde (o verde y amarillo) es el cable de tierra. Nunca conecte el cable verde (o verde y amarillo) a una terminal viva. Si su unidad está hecha para funcionar con menos de 150 volts, tiene una clavija similar a la que se muestra en la Figura B. Si es para usarse con corriente de 150 a 250 volts, tiene una clavija como la que se muestra en la Figura E. Hay adaptadores, Figuras C y D, para conectar clavijas del tipo de la Figura B a tomas de corriente para dos patas. La oreja de color verde deberá conectarse a tierra permanente, tal como una toma de corriente aterrizada adecuadamente. No hay adaptadores para clavijas como la de la Figura E. **EL ADAPTADOR MOSTRADO EN LAS FIGURAS C Y D NO ESTA HECHO PARA USARSE EN CANADÁ.**



## Instrucción Adicional de Seguridad



**ADVERTENCIA:** Use **SIEMPRE** lentes de seguridad. Los anteojos de diario **NO SON** lentes de seguridad. Utilice además una cubrebocas o mascarilla antipolvo si la operación de corte genera demasiado polvo. **SIEMPRE LLEVE EQUIPO DE SEGURIDAD CERTIFICADO:**

- protección ocular ANSI Z87.1 (CAN/CSA Z94.3),
- protección auditiva ANSI S12.6 (S3.19),
- protección respiratoria NIOSH/OSHA/MSHA.



**ADVERTENCIA:** Algunas partículas de polvo generadas al lijar, serrar, esmerilar y taladrar con herramientas eléctricas, así como al realizar otras actividades de construcción, contienen químicos que el Estado de California sabe que pueden producir cáncer, defectos congénitos u otras afecciones reproductivas. Ejemplos de estos químicos son:

- plomo de algunas pinturas en base a plomo,
- polvo de sílice proveniente de ladrillos y cemento y otros productos de albañilería, y
- arsénico y cromo provenientes de madera tratada químicamente.

Su riesgo de exposición a estos químicos varía, dependiendo de la frecuencia con la cual realiza usted este tipo de trabajo. Para reducir su exposición a estas sustancias químicas: trabaje en una zona bien ventilada y llevando equipos de seguridad aprobados, como mascarillas antipolvo especialmente diseñadas para filtrar partículas microscópicas.

- **Evite el contacto prolongado con polvo generado por el lijado, aserrado, pulido, taladrado y otras actividades de construcción. Vista ropas protectoras y lave las áreas de la piel expuestas con agua y jabón.** Si permite que el polvo se introduzca en la boca u ojos o quede sobre la piel, puede favorecer la absorción de productos químicos peligrosos.



**ADVERTENCIA:** La utilización de esta herramienta puede generar polvo o dispersarlo, lo que podría causar daños graves y permanentes al sistema respiratorio, así como otras lesiones. Siempre use protección respiratoria aprobada por NIOSH (Instituto Nacional de Seguridad y Salud en el Trabajo) u OSHA (Administración de Seguridad y Salud en el Trabajo) apropiada para la exposición al polvo. Dirija las partículas en dirección contraria a la cara y el cuerpo.



**ADVERTENCIA:** Siempre lleve la debida protección auditiva personal en conformidad con ANSI S12.6 (S3.19) durante el uso de esta herramienta. Bajo algunas condiciones y duraciones de uso, el ruido producido por este producto puede contribuir a la pérdida auditiva.

- **Los orificios de ventilación suelen cubrir piezas en movimiento, por lo que también se deben evitar.** Las piezas en movimiento pueden atrapar prendas de vestir sueltas, joyas o el cabello largo.
- **Los hilos del alargador deben ser de un calibre apropiado (AWG o American Wire Gauge) para su seguridad.** Mientras menor sea el calibre del hilo, mayor la capacidad del cable. Es decir, un hilo calibre

16 tiene mayor capacidad que uno de 18. Un cable de un calibre insuficiente causará una caída en la tensión de la línea dando por resultado una pérdida de energía y sobrecalentamiento. Cuando se utilice más de un alargador para completar el largo total, asegúrese que los hilos de cada alargador tengan el calibre mínimo. La tabla siguiente muestra el tamaño correcto a utilizar, dependiendo de la longitud del cable y del amperaje nominal de la placa de identificación. Si tiene dudas sobre cuál calibre usar, use un calibre mayor. Cuanto menor sea el número del calibre, más resistente será el cable.

Calibre mínimo de conjuntos de cables

Voltios	Longitud total del cable en pies (metros)				
	25 (7,6)	50 (15,2)	100 (30,5)	150 (45,7)	
240 V	50 (15,2)	100 (30,5)	200 (61,0)	300 (91,4)	
Amperaje nominal	AWG				
	Más de	Más de			
0	6	18	16	16	14
6	10	18	16	14	12
10	12	16	16	14	12
12	16	14	12	Not Recommended	

La etiqueta de su herramienta puede incluir los siguientes símbolos. A continuación se indican los símbolos y sus definiciones:

V .....	voltios		or AC/DC .... corriente alterna o directa
Hz .....	hertz		..... Construcción de Clase II (doble aislamiento)
min .....	minutos	n <sub>0</sub> .....	velocidad sin carga
— — or DC .....	direct current	n .....	velocidad nominal
	..... Construcción de Clase I (tierra)		..... terminal de conexión a tierra
... /min .....	por minuto		..... símbolo de advertencia de seguridad
BPM .....	golpes por minuto		..... radiación visible
IPM .....	impactos por minuto		..... protección respiratoria
RPM .....	revoluciones por minuto		..... protección ocular
sfpm .....	pies de superficie por minuto		..... protección auditiva
SPM .....	pasadas por minuto		..... lea toda la documentación
A .....	amperios		
W .....	watios		
	or AC .....		corriente alterna

## GUARDE ESTAS INSTRUCCIONES PARA VOLVER A CONSULTAR EN EL FUTURO

### Motor

Asegúrese de que la fuente de energía concuerde con lo que se indica en la placa. Un descenso en el voltaje de más del 10% producirá una pérdida de potencia y sobrecalentamiento. Todas las herramientas DEWALT son probadas en fábrica; si esta herramienta no funciona, verifique el suministro eléctrico.



## ESPECIFICACIÓN

	DW756	DW758
Esmeriladora de banco	152 mm (6")	200 mm (8")
Eje	13 mm (1/2")	16 mm (5/8")
RPM	3450	3600

## COMPONENTES (FIG. A)

**⚠️ ADVERTENCIA:** Nunca modifique la herramienta eléctrica, ni tampoco ninguna de sus piezas. Podría producir lesiones corporales o daños.

Consulte la Figura A al principio de este manual para obtener una lista completa de los componentes.

### Uso Debido

Esta amoladora de banco está diseñado para aplicaciones profesionales.

**NO** utilice la herramienta en condiciones de humedad o en presencia de líquidos o gases inflamables.

Esta amoladora de banco es un instrumento eléctrico profesional. **NO** permita que los niños toquen la herramienta. Si el operador no tiene experiencia operando esta herramienta, su uso deberá ser supervisado.

## MONTAJE Y AJUSTES

**⚠️ ADVERTENCIA:** Para reducir el riesgo de lesiones personales graves, apague la herramienta y desconéctela de la fuente de alimentación antes de realizar ajustes o de retirar/instalar dispositivos o accesorios. Un arranque accidental podría causar lesiones.

### Montaje en el banco

1. Apague y desconecte la esmeriladora
2. Saque la plantilla de taladrado de este manual (página 26) y colóquela en su sitio en el banco. Compruebe la disponibilidad de suministro eléctrico para la esmeriladora. Sujete con cinta adhesiva la plantilla al banco.
3. Marque los centros para los orificios mostrados en la plantilla.
4. Taladre las perforaciones del tamaño adecuado en los lugares que marcó anteriormente.
5. Inserte los pernos hexagonales M8 a través de las arandelas y los orificios. Puede utilizar roldanas por la parte inferior del banco también.
6. Apriete las tuercas. Tenga cuidado de no comprimir demasiado las patas de goma cuando apriete los tornillos. Si quedan comprimidas, las patas no podrán cumplir la función de absorber las vibraciones.

## Instalación de los pedestales de descanso (Fig. F)

Hay un pedestal de descanso para el lado izquierdo y otro para el lado derecho. Fije primero el pedestal de descanso **4** al soporte **7** utilizando el perno hexagonal **8**, la arandela de resorte **9**, la arandela plana **10**, la arandela dentada externa **11** y la tuerca **13**.

Para la DW756, se necesitan un separador **12** y arandela dentada externa **11** adicionales, como se muestra en la Figura F.

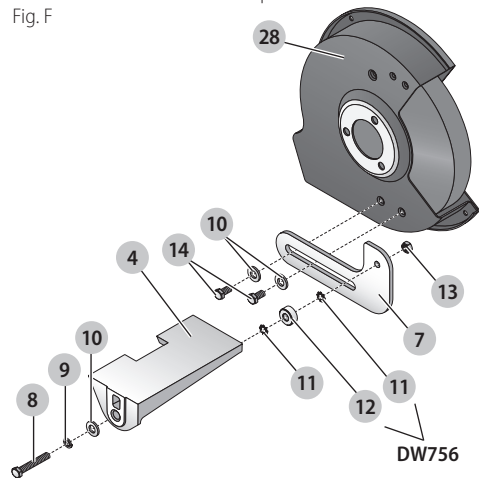
Luego, para la DW756 y la DW758, fije la unidad del soporte/pedestal de descanso al protector del disco **28** utilizando los dos pernos 1/4"-20 UNC **14** y dos arandelas planas **10**.

Continúe instalando el otro pedestal de descanso siguiendo el mismo procedimiento descrito.

**⚠️ ATENCIÓN:** Los pernos más largos pueden afectar el movimiento del disco de esmerilado.

**NOTA:** Cuando estén utilizándose, los pedestales de descanso deben ajustarse a 3,18 mm (1/8") del disco de esmerilado o de otro accesorio que esté usándose.

Fig. F

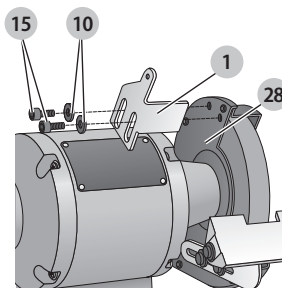


## Instalación de los protectores contra chispas (Fig. G)

Los protectores contra chispas **1** se identifican con una "L" para el izquierdo y una "R" para el derecho. Consulte la Figura G para instalar el protector contra chispas en el protector de disco **28** utilizando los dos pernos **15** y arandelas planas **10**. Ajuste el borde del protector contra chispas a 1,6 mm (1/16") del disco de esmerilado o de otro accesorio. Ajuste bien los dos pernos **15**.

Continúe instalando el otro protector contra chispas siguiendo el mismo procedimiento descrito.

Fig. G



## Instalación de las cubiertas de protección ocular (Fig. H)

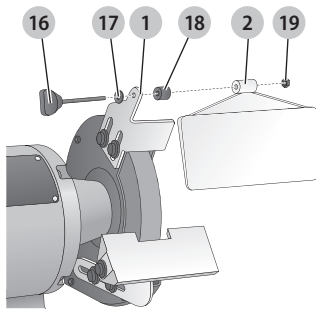
**⚠ ADVERTENCIA:** Las cubiertas de protección ocular no están diseñadas para reemplazar a las lentes de seguridad.

Instale las cubiertas de protección ocular **2** (encajarán en cualquiera de los lados) en los soportes, como se muestra en la Figura H. Atornille la perilla de plástico **16** a través de la arandela **17**, el protector contra chispas **1**, el separador **18**, la cubierta de protección ocular **2** y por último la tuerca **19**. Ajuste las cubiertas de protección ocular de forma que se sitúen entre los discos y sus ojos.

Continúe instalando la otra cubierta de protección ocular siguiendo el mismo procedimiento descrito.

Ajuste las cubiertas en su sitio apretando la perilla de plástico **16** en la unidad de soporte. Retire la película protectora.

Fig. H



## OPERACIÓN

**⚠ ADVERTENCIA:** Para reducir el riesgo de lesiones personales graves, apague la herramienta y desconéctela de la fuente de alimentación antes de realizar ajustes o de retirar/instalar dispositivos o accesorios. Un arranque accidental podría causar lesiones.

**⚠ ATENCIÓN:** El esmerilado durante periodos prolongados provocará que la mayoría de los materiales se calienten. Manipúlelos con pinzas o con guantes gruesos.

**⚠ ATENCIÓN:** No intente nunca utilizar su esmeriladora de banco a menos que esté bien asegurada con pernos a un banco de trabajo o un marco rígido que a su vez esté fijado firmemente al piso.

- Antes de encender la esmeriladora, colóquese sus gafas de seguridad.
- Permita que alcance la máxima velocidad (3450 RPM - DW756, 3600 RPM - DW758) antes de esmerilar.
- Sujete firmemente a la pieza de trabajo y contra el apoyo de la herramienta.
- Sujete las piezas muy pequeñas con pinzas u otro medio de sujeción.
- Alimente la pieza con suavidad y de manera uniforme hacia la rueda de esmeril.

- Mueva la pieza lentamente y evite golpearla contra la rueda. Si la rueda tiende a bajar de velocidad, libere un poco de presión para permitir que la rueda alcance la velocidad máxima.
- Solamente esmerile con el frente de la rueda de esmeril, nunca con los lados. (Algunas ruedas están diseñadas para usar los lados, lo que estará indicado en las instrucciones.)

## Interruptor (Fig. A)

El interruptor **5** está situado en el frente de la esmeriladora cerca de la parte inferior.

Para encender la herramienta, oprima el lado izquierdo del interruptor, cerca de la palabra ON.

Para APAGAR la herramienta, oprima el lado derecho del interruptor, cerca de la palabra OFF.

## MANTENIMIENTO

**⚠ ADVERTENCIA:** Para reducir el riesgo de lesiones personales graves, apague la herramienta y desconéctela de la fuente de alimentación antes de realizar ajustes o de retirar/instalar dispositivos o accesorios. Un arranque accidental podría causar lesiones.

## Limpieza

**⚠ ADVERTENCIA:** Sople la suciedad y el polvo de todos los conductos de ventilación con aire seco, al menos una vez por semana. Para reducir el riesgo de lesiones, utilice siempre protección para los ojos aprobada ANSI Z87.1 al realizar esta tarea.

**⚠ ADVERTENCIA:** Nunca utilice solventes ni otros químicos abrasivos para limpiar las piezas no metálicas de la herramienta. Estos productos químicos pueden debilitar los materiales plásticos utilizados en estas piezas. Utilice un paño humedecido sólo con agua y jabón neutro. Nunca permita que penetre líquido dentro de la herramienta ni sumerja ninguna de las piezas en un líquido.

## Accesorios

**⚠ ADVERTENCIA:** Debido a que no se han probado con este producto otros accesorios que no sean los que ofrece DEWALT., el uso de dichos accesorios con esta herramienta podría ser peligroso. Para reducir el riesgo de lesiones, con este producto deben usarse sólo los accesorios recomendados por DEWALT.

**⚠ ADVERTENCIA:** Utilice siempre las guardas apropiadas y protección ocular cuando esmerile.

**⚠ ATENCIÓN:** Las hebras de los cepillos de alambre pueden romperse y salir despedidas durante el trabajo. El usuario y las demás personas en el área deberán utilizar protección adecuada para ojos, cara y cuerpo. utilice únicamente cepillos de alambre especificados para una velocidad igual o mayor a las RPM señaladas en la placa de identificación de la herramienta.

**⚠ ATENCIÓN:** El uso de cualquier accesorio no recomendado puede ser peligroso.



Los accesorios que se recomiendan para utilizar con la herramienta están disponibles a un costo adicional en su distribuidor local o en un centro de mantenimiento autorizado. Si necesita ayuda para localizar algún accesorio, póngase en contacto con DEWALT Industrial Tool Co., 701 East Joppa Road, Towson, MD 21286, llame al 1-800-4-DEWALT (1-800-433-9258) o visite nuestro sitio web: [www.dewalt.com](http://www.dewalt.com).

### Cambio de accesorios (Fig. F, G, I, J, K)

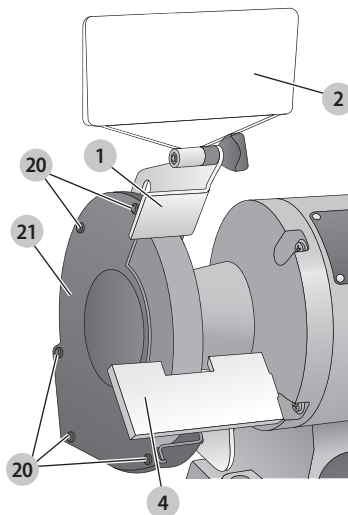
Los discos de esmeril deben ajustarse a los límites del protector y deben estar clasificados para una velocidad superior a la marcada en la placa de características de la esmeriladora de banco.

Cambie los accesorios cuando los protectores contra chispas no pueda ajustarse más a 1,6 mm (1/16") de la piedra.

**DW756** - utilice solamente piedras de esmeril de 152 mm (6") de diámetro. Esta herramienta tiene flechas de 13 mm (1/2") en ambos lados.

**DW758** - utilice solamente piedras de esmeril de 200 mm (8") de diámetro. Esta herramienta tiene flechas de 16 mm (5/8") en ambos lados.

Fig. I



Siga los pasos enlistados a continuación para quitar y poner cualquier accesorio.

1. Levante la cubierta protectora para los ojos **2**.
2. Afloje, pero no retire los pernos de los pedestales de descanso de la herramienta **8** y tire del pedestal de descanso **4** hacia afuera lo más posible. No lo quite.
3. Afloje, pero no retire los pernos del protector contra chispas **15** y tire del protector contra chispas **1** hacia afuera lo más posible. No lo quite.
4. Retire los tornillos **20** de las cubiertas **21** de ambos lados y saque las cubiertas.
5. Con una llave española, sujete las dos tuercas hexagonales **22** que sujetan las piedras al eje **23** de cada lado de la herramienta (Fig. J, K). Para sacar el disco del lado izquierdo, gire la tuerca hexagonal **22**

en dirección horaria mientras sujeta el otro estacionario. Para sacar el disco del lado derecho, gire la tuerca hexagonal **22** en dirección antihoraria mientras sujeta la otra estacionaria.

6. Quite la roldana **24** y la piedra **25**.
7. Revise la piedra en busca de fracturas, astilladuras o cualquier otro daño visible (que no sea desgaste) y descártelo si encuentra daños. Revise las roldanas de fieltro **26** en busca de daños. Si faltan estas roldanas o están muy dañadas, reemplácelas con piezas de cartón delgado o papel secante que tengan la misma forma. **NUNCA UTILICE UNA RUEDA DE ESMERIL SIN UNA ROLDANA DE FIELTRO A CADA LADO.**

Fig. F

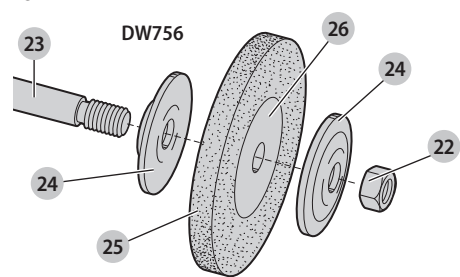
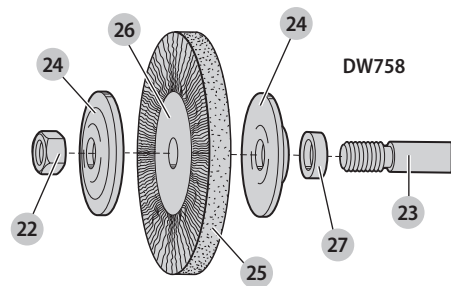


Fig. G



8. Instale la piedra nueva u otro accesorio **25**. Para la DW756 (Fig. J), compruebe que las pestañas de los discos **24** estén en su sitio (la parte cóncava mirando hacia el disco). Para la DW758 (Fig. K), compruebe que los separadores **27** y las pestañas de los discos **24** estén en su sitio (el lado cóncavo mirando hacia el disco).
9. Sujete ambas tuercas hexagonales **22** como antes y apriételas pero no demasiado. El sobreapretar puede fracturar una piedra de esmeril.
10. Vuelva a poner las cubiertas de los discos y sus tornillos.
11. Ajuste los protectores contra chispas **1** a 1,6 mm (1/16") del accesorio y apriete.
12. Ajuste el apoyo **4** de la esmeriladora a 3,18 mm (1/8") del accesorio y apriete con firmeza.
13. Ajuste la cubierta protectora para los ojos **2** a un punto entre sus ojos y el accesorio.

## ESPAÑOL

14. Siga los pasos anteriores para instalar ruedas para pulir y cepillos de alambre, al igual que para las piedras de esmeril.

### DW756

PIEDRAS DE ESMERIL	VELOCIDAD MÁX. SEGURA
16 mm (5/8") canto, 152 mm (6") diá. Piedra de esmeril grano 60	4136 RPM
19 mm (3/4") canto, 152 mm (6") diá. Piedra de esmeril grano 60	4136 RPM
16 mm (5/8") canto, 152 mm (6") diá. Piedra de esmeril grano 36	4136 RPM
13 mm (1/2") canto, 152 mm (6") diá. Piedra de esmeril grano 60	3825 RPM
<b>RUEDAS PARA PULIR</b>	
16 mm (5/8") canto, 152 mm (6") diá. Rueda de algodón para pulir	3600 RPM
<b>RUEDAS PARA PULIR</b>	
13 mm (1/2") eje, 15,8 mm (5/8") canto, 152 mm (6") diá.	3600 RPM

### DW758

PIEDRAS DE ESMERIL	VELOCIDAD MÁX. SEGURA
22 mm (7/8") y 25 mm (1") canto, 200 mm (8") diá. Piedra de esmeril grano 60	3600 RPM
22 mm (7/8") y 25 mm (1") canto, 200 mm (8") diá. Piedra de esmeril grano 36	3600 RPM
<b>RUEDAS PARA PULIR</b>	
16 mm (5/8") canto, 200 mm (8") diá. Rueda de algodón para pulir	3600 RPM
<b>RUEDAS PARA PULIR</b>	
16 mm (5/8") eje, 15,8 mm (5/8") y 32 mm (1 1/4") canto, 200 mm (8") diá.	3600 RPM

## Reparaciones



**ADVERTENCIA:** Para asegurar la **SEGURIDAD** y la **CONFIABILIDAD** del producto, las reparaciones, el mantenimiento y los ajustes (inclusive la inspección y el cambio de las escobillas, cuando proceda) deben ser realizados en un centro de mantenimiento en la fábrica DeWALT u en un centro de mantenimiento autorizado DeWALT. Utilice siempre piezas de repuesto idénticas.

**Para reparación y servicio de sus herramientas eléctricas, favor de dirigirse al Centro de Servicio más cercano**

### CULIACAN, SIN

Bld. Emiliano Zapata 5400-1 Poniente Col. (667) 717 89 99  
San Rafael

### GUADALAJARA, JAL

Av. La Paz #1779 - Col. Americana Sector (33) 3825 6978  
Juárez

### MEXICO, D.F.

Eje Central Lázaro Cárdenas No. 18 - Local D, Col. Obrera (55) 5588 9377

### MERIDA, YUC

Calle 63 #459-A - Col. Centro (999) 928 5038

### MONTERREY, N.L.

Av. Francisco I. Madero 831 Poniente - Col. Centro (818) 375 23 13

### PUEBLA, PUE

17 Norte #205 - Col. Centro (222) 246 3714

### QUERETARO, QRO

Av. San Roque 274 - Col. San Gregorio (442) 2 17 63 14

### SAN LUIS POTOSI, SLP

Av. Universidad 1525 - Col. San Luis (444) 814 2383

### TORREON, COAH

Bld. Independencia, 96 Pte. - Col. Centro (871) 716 5265

### VERACRUZ, VER

Prolongación Díaz Mirón #4280 - Col. Remes (229) 921 7016

### VILLAHERMOSA, TAB

Constitución 516-A - Col. Centro (993) 312 5111

#### PARA OTRAS LOCALIDADES:

**Si se encuentra en México, por favor llame al (55) 5326 7100**

**Si se encuentra en U.S., por favor llame al 1-800-433-9258 (1-800 4-DEWALT)**

## Póliza de Garantía

IDENTIFICACIÓN DEL PRODUCTO:

Sello o firma del Distribuidor.

Nombre del producto: \_\_\_\_\_

Mod./Cat.: \_\_\_\_\_

Marca: \_\_\_\_\_

Núm. de serie: \_\_\_\_\_

(Datos para ser llenados por el distribuidor)

Fecha de compra y/o entrega del producto: \_\_\_\_\_

Nombre y domicilio del distribuidor donde se adquirió el producto: \_\_\_\_\_

Este producto está garantizado por un año a partir de la fecha de entrega, contra cualquier defecto en su funcionamiento, así como en materiales y mano de obra empleados para su fabricación. Nuestra garantía incluye la reparación o reposición del producto y/o componentes sin cargo alguno para el cliente, incluyendo mano de obra, así como los gastos de transportación razonablemente erogados derivados del cumplimiento de este certificado.

Para hacer efectiva esta garantía deberá presentar su herramienta y esta póliza sellada por el establecimiento comercial donde se adquirió el producto, de no contar con ésta, bastará la factura de compra.

## Excepciones

Esta garantía no será válida en los siguientes casos:

- Cuando el producto se hubiese utilizado en condiciones distintas a las normales;
- Cuando el producto no hubiese sido operado de acuerdo con el instructivo de uso que se acompaña;
- Cuando el producto hubiese sido alterado o reparado por personas distintas a las enlistadas al final de este certificado.

Anexo encontrará una relación de sucursales de servicio de fábrica, centros de servicio autorizados y franquiciados en la República Mexicana, donde podrá hacer efectiva su garantía y adquirir partes, refacciones y accesorios originales.

## Registro en línea

Gracias por su compra. Registre su producto ahora para:

- **SERVICIO EN GARANTÍA:** Si completa esta tarjeta, podrá obtener un servicio en garantía más eficiente, en caso de que exista un problema con su producto.
- **CONFIRMACIÓN DE PROPIEDAD:** En caso de una pérdida que cubra el seguro, como un incendio, una inundación o un robo, el registro de propiedad servirá como comprobante de compra.
- **PARA SU SEGURIDAD:** Si registra el producto, podremos comunicarnos con usted en el caso improbable que se deba enviar una notificación de seguridad conforme a la Federal Consumer Safety Act (Ley Federal de Seguridad de Productos para el Consumidor).

Registro en línea en [www.dewalt.com/register](http://www.dewalt.com/register).

## Garantía limitada por tres años

DeWALT reparará, sin cargo, cualquier falla que surja de defectos en el material o la fabricación del producto, por hasta tres años a contar de la fecha de compra. Esta garantía no cubre fallas de las piezas causadas por su desgaste normal o abuso a la herramienta. Para mayores detalles sobre la cobertura de la garantía e información acerca de reparaciones realizadas bajo garantía, visítenos en [www.dewalt.com](http://www.dewalt.com) o diríjase al centro de servicio más cercano. Esta garantía no aplica a accesorios o a daños causados por reparaciones realizadas o intentadas por terceros. ESTA GARANTÍA LIMITADA SE OTORGA EN VEZ DE TODAS LAS DEMÁS, INCLUIDA LA GARANTÍA IMPLÍCITA DE COMERCIABILIDAD Y APTITUD PARA UN FIN PARTICULAR, Y EXCLUYE TODOS LOS DAÑOS INCIDENTALES O CONSECUENTES. Algunos estados no permiten limitaciones sobre la duración de una garantía implícita, o la exclusión o limitación de daños incidentales o consecuentes, así que estas limitaciones pueden no aplicarse a usted. Esta garantía le otorga derechos legales específicos, además de los cuales usted puede tener otros derechos dependiendo del estado o la provincia en que se encuentre.

Además de la garantía, las herramientas DeWALT están cubiertas por:

## 1 AÑO DE SERVICIO GRATUITO

DeWALT mantendrá la herramienta y reemplazará las piezas gastadas por su uso normal, sin cobro, en cualquier momento durante un año a contar de la fecha de compra.

### GARANTÍA DE REEMBOLSO DE SU DINERO POR 90 DÍAS

Si no está completamente satisfecho con el desempeño de su máquina herramienta, láser o clavadora DeWALT, cualquiera sea el motivo, podrá devolverlo hasta 90 días de la fecha de compra con su recibo y obtener el reembolso completo de su dinero – sin necesidad de responder a ninguna pregunta.

**AMÉRICA LATINA:** Esta garantía no se aplica a los productos que se venden en América Latina. Para los productos que se venden en América Latina, debe consultar la información de la garantía específica del país que viene en el empaque, llamar a la compañía local o visitar el sitio Web a fin de obtener esa información.

### REEMPLAZO GRATUITO DE LAS ETIQUETAS DE

**ADVERTENCIAS:** Si sus etiquetas de advertencia se vuelven ilegibles o faltan, llame al 1-800-433-9258 (1-800-4-DeWALT) para que se le reemplacen gratuitamente.

### ESPECIFICACIONES

	DW756	DW758
Tensión de alimentación	120 V CA	120 V CA
Potencia nominal	384 W	403 W
Frecuencia de operación	60 Hz	60 Hz
Consumo de corriente	4,0 A	4,2 A
RPM	3450	3600

Solamente para propósito de México:

Importado por: DeWALT Industrial Tool Co. S.A. de C.V.  
 Avenida Antonio Dovali Jaime, # 70 Torre B Piso 9  
 Colonia La Fe, Santa Fé  
 Código Postal : 01210  
 Delegación Alvaro Obregón  
 México D.F.  
 Tel. (52) 555-326-7100  
 R.F.C.: BDE810626-1W7

**Hole Sizes / Tailles des orifices / Tamaños de orificios**

3/8" (9.5 mm)

6"  
152 mm

CUT ALONG THIS LINE  
DÉCOUPER LE LONG DU POINTILLÉ  
CORTE A LO LARGO DE ESTA LÍNEA

2 13/16"  
71 mm

NEVER ATTEMPT TO USE YOUR BENCH GRINDER UNLESS IT IS FIRMLY BOLTED TO A WORKBENCH OR RIGID FRAME THAT IS ALSO FIRMLY ATTACHED TO THE FLOOR.

NE JAMAIS TENTER D'UTILISER VOTRE MEULEUSE D'ÉTABLI SI ELLE N'EST PAS SOLIDEMENT VISSÉE À UN ÉTABLI OU À UN CHÂSSIS RIGIDE LUI-MÊME SOLIDEMENT ARRIMÉ AU SOL.

NO INTENTE NUNCA UTILIZAR SU ESMERILADORA DE BANCO A MENOS QUE ESTÉ BIEN ASEGURADA CON PERNOS A UN BANCO DE TRABAJO O UN MARCO RÍGIDO QUE A SU VEZ ESTÉ FIJADO FIRMEMENTE AL PISO.

FRONT  
DEVANT  
FRENTE







DeWALT Industrial Tool Co., 701 East Joppa Road, Towson, MD 21286

(JUN17) Part No. N538026 DW756, DW758 Copyright © 1997, 2014, 2017 DeWALT

The following are trademarks for one or more DeWALT power tools: the yellow and black color scheme, the “D” shaped air intake grill, the array of pyramids on the handgrip, the kit box configuration, and the array of lozenge-shaped humps on the surface of the tool.