



4PB89

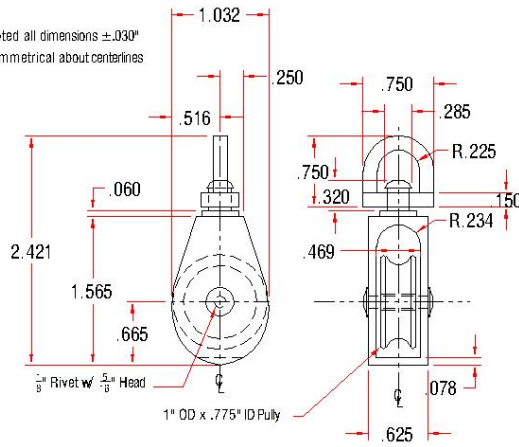
1" Swivel Eye Pulley

Maximum Non Lifting Load: 100 lbs.



Notes:

- 1) Unless noted all dimensions $\pm .030$ "
- 2) Part is symmetrical about centerlines



Material Housing: Zinc
Material Wheel: Brass
Finish Housing: Bright Chrome
Finish Wheel: Polished Brass