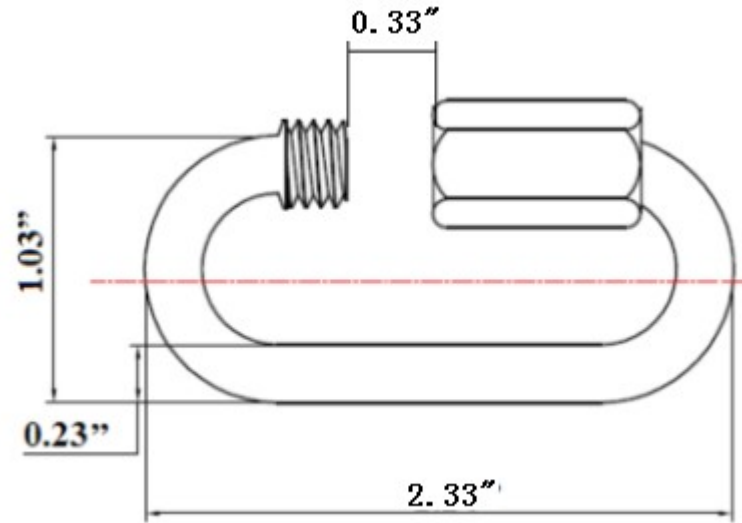


ANJI ITEM	ITEM NO.	DESCRIPTION	MATERIAL	FINISH	WLL/LBS
AC14QLZP	4PB88	1/4" QUICK LINK,ZINC PLATED	Q195	ZP	880



Material Diameter: -5/+5%  
 Unless Noted all dimension: +/-0.1"  
 MIN BREAKING LOAD:3520LBS

<b>ANJI CHANG HONG CHAIN MANUFACTURING CO.,LTD.</b>		
MAPPER: Chen xiaofeng2019-1-24 APPROVED: Chrysa Hu 2019-1-24	TITLE:1/4" QUICK LINK,ZINC PLATED	
	DRAWING NO. AC-20190124	SHEET OF 1/1
		REV A