

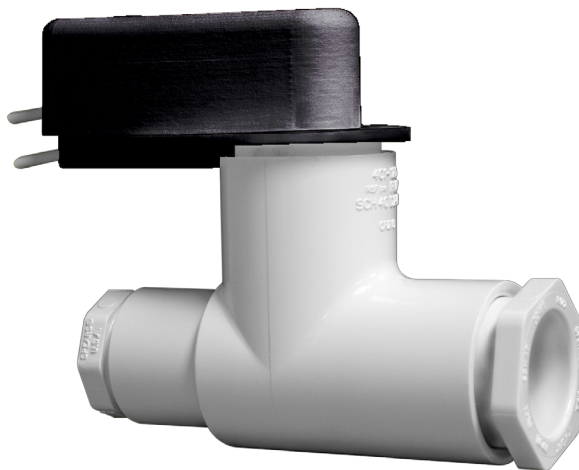
ACS-4 SERIES

APPLICATIONS

- ACS-4 in-line switch is designed to detect condensate drain line clogs or blockages and shut off equipment or alert users to the potential overflow condition. ACS-4 installs on 3/4" PVC condensate drain pipe in either a horizontal or vertical position. Using the included 3/4" PVC drain pan fitting, ACS-4 can also be installed directly at the drain pan primary or auxiliary outlet to detect pan overflow and shut off equipment or alert users to the potential overflow condition.

FEATURES

- Installs horizontally or vertically for confined spaces
- Reliable mechanical switch and polymer float
- Allows easy access to drain line for cleaning and inspection (by lifting off switch assembly)
- Can be installed in-line on A/C equipment condensate drain pipe, directly at the drain pan outlet or directly at the auxiliary (secondary) drain pan outlet
- Shuts off equipment when clog or blockage backs up condensate water in drain line
- Can simultaneously be connected to a warning light, audible alarm circuit or BMS/BAS system in addition to connection for equipment shut down
- Dual switch contacts allow NO and/or NC operation (additional lead wire required if both circuits used)
- Includes two 18 gauge, 6' (72") leads
- Includes schedule 40 PVC 3/4" 90° (tee) housing, 3/4" MNPT x 3/4" male slip adapter (to fit standard 3/4" equipment pan outlets), 3/4" PVC plug and 1" x 3/4" PCV bushing
- Suitable for 24 VAC Class 2 (thermostat) circuit
- 5 amp switching capacity
- Complies with applicable building codes

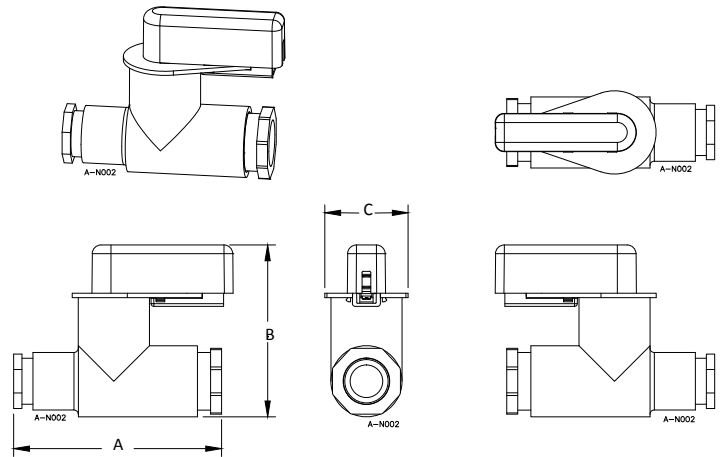
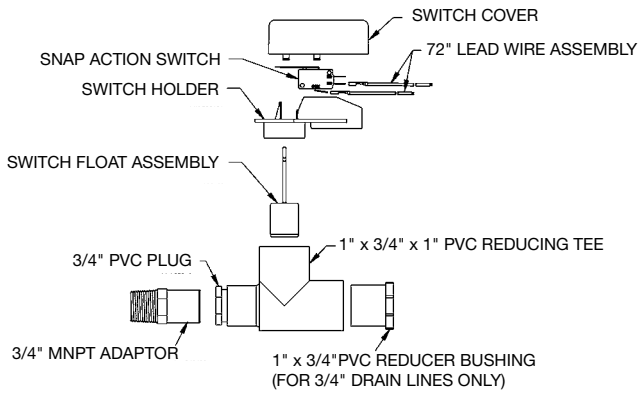


SERIES SPECIFICATIONS

Item No.	Model	Input Voltage	Amps (FLA)
599125	ACS-4	24 VAC	5 max.

ACS-4 SERIES

ENGINEERING DATA



A	B	C
4.7 (119.38)	3.9 (99.06)	1.9 (48.26)

TYPICAL INSTALLATION

