

Cast Deckmount Sink Faucets – 4" Centers

TECK[®]
COMMERCIAL

DELTA[®]

SPECIFICATION: (EXAMPLE)

- **HEAVY DUTY CAST BRASS** centerset faucet
- 102mm (4") centers, two handle
- Polished chrome-plated finish with polished underspout
- Metal hold-down package
- Color indexed metal handles with vandal resistant screws
- **CER-TECK**[®] 1/4 turn ceramic structures
and ... with ... (add product variation required)
with ... (add outlet required)
with ... (add handle required)
with ... (add suffix **-TI** if required – see back page)

21C143



21C144



Engineer/Architect Approval

Model Specified:

Approval:

Date:

MODEL NUMBER EXAMPLE:

Configurations vary, see below for availability.

21C144-TI

Variation

- 1 = Less pop-up, no pop-up hole
- 2 = Metal pop-up
- 3 = Cast open grid strainer
- 4 = Cast ADA offset open grid strainer
- 5 = Chain stay

Outlet

- 2 = Vandal resistant laminar outlet
 - 3 = Vandal resistant aerator
 - 4 = Standard aerator outlet
 - 5 = Vandal resistant spray outlet
 - 9 = Vandal resistant spray outlet
- 1.5 gpm (5.7 L/min)
 1.5 gpm (5.7 L/min)
 1.5 gpm (5.7 L/min)
 0.5 gpm (1.9 L/min)
 0.35 gpm (1.32 L/min)

Handle

- 1 = 5-Fluted
- 2 = Hooded blade
- 3 = Hooded lever
- 4 = Blade w/sanitary hood
- 5 = Wrist w/sanitary hood
- 8 = Self-closing hooded lever
- 9 = Self-closing 5-Fluted

TI = Handle temperature indicators
"H" (red), "C" (blue)

AVAILABLE MODELS		VARIATIONS				
		1 Centerset, Less Pop-Up (No Pop-Up Hole) 4" (102 mm)	2 Centerset with Metal Pop-Up 4" (102 mm)	3 Centerset with Open Grid Strainer 4" (102 mm)	4 Centerset with ADA Offset Open Grid Strainer 4" (102 mm)	5 Centerset with Chain Stay, Less Plug & Chain 4" (102 mm)
HANDLES	1 5-Fluted	21C121 21C131 21C141 21C151	21C231 21C241			
	2 Hooded Blade 4" (102 mm)	21C122 21C132 21C132-TI 21C142	21C142-TI 21C152 21C152-TI	21C232 21C242 21C252-TI		21C542
	3 Hooded Lever 3" (76 mm)	21C123 21C133 21C133-TI 21C143	21C143-TI 21C153 21C153-TI 21C193	21C233 21C243 21C253	21C333	21C453 21C553
	4 Blade with Sanitary Hood 4" (102 mm)	21C124 21C124-TI 21C134 21C134-TI 21C144	21C144-TI 21C154 21C154-TI 21C194	21C224 21C234 21C244 21C254	21C334	21C424
	5 Wrist with Sanitary Hood 6" (152 mm)	21C135 21C145 21C155	21C245			
	8 Self-Closing Hooded Lever 3" (76 mm)	21C138 21C148 21C198				
	9 Self-Closing 5-Fluted	21C149				

Refer to www.specselect.com for individual models.

Flow Rates are at 60 PSI.
Note: Use this page front and back as a product submittal sheet.

Delta reserves the right (1) to make changes in specifications and materials, and (2) to change or discontinue models, both without notice or obligation. Dimensions are for reference only. See current full-line price book or www.specselect.com for finish options and product availability.


DSP-21C Rev. E

Cast Deckmount Sink Faucets – 4" Centers

TECK
COMMERCIAL

DELTA

APPROVALS:

- CSA certified
- Complies to ASME A112.18.1/CSA B125.1
- Indicates compliance to ICC/ANSI A117.1
-  Outlet options 2, 3 and 4 are EPA WaterSense listed
- Verified compliant with 0.25% weighted average Pb content regulations

(Contact Delta Representative for State and/or Local Approvals.)

HANDLE TEMPERATURE INDICATORS

- ☐ Suffix “-TI” signifies handle temperature indicators “H” (red), “C” (blue). Available on selected models.

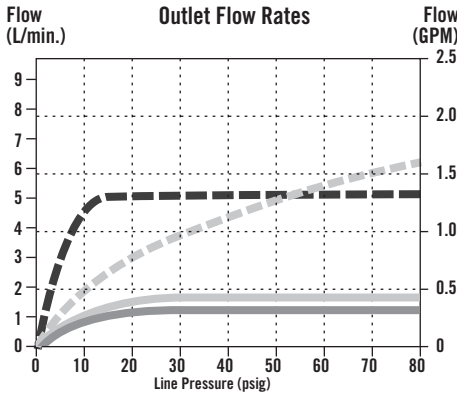


SELF-CLOSING SPRING PACKAGES

(Available for separate order)

- ☐ **061369A** Springs ONLY to convert #3 Hooded Lever Handle model to #8 Self-closing Hooded Lever

FLOW RATE vs PRESSURE



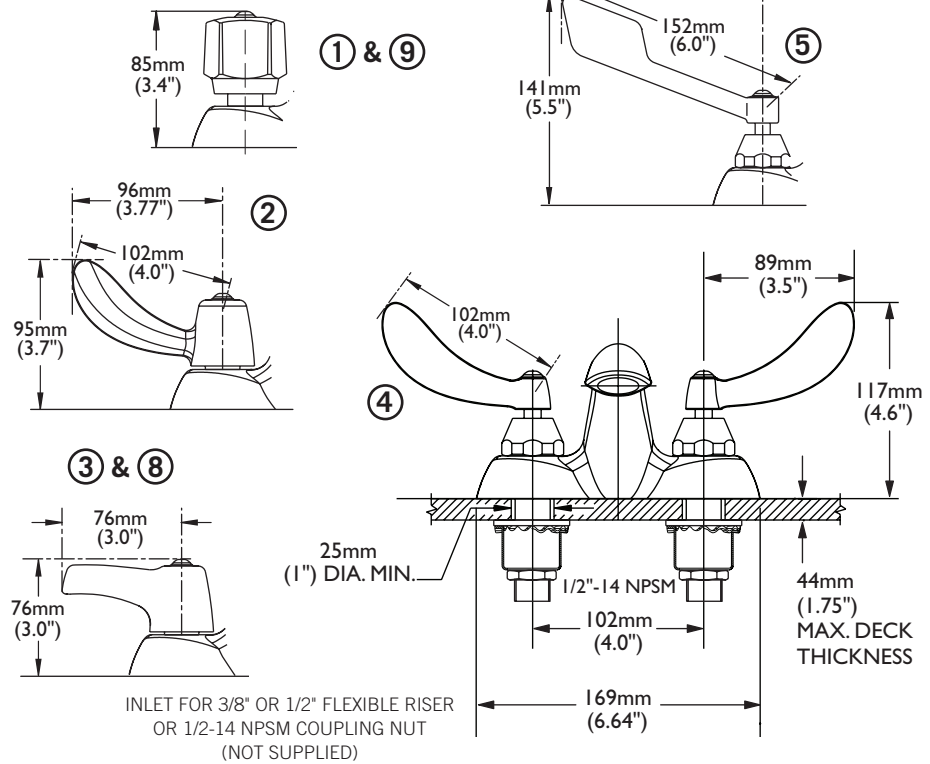
Spout Outlets

- No. 2 Laminar Flow Outlet
- No. 3 & 4 Aerator
- No. 5 Outlet
- No. 9 Outlet

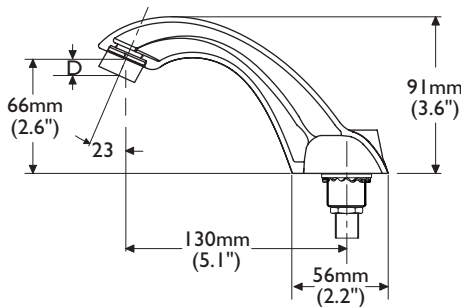
CAST SPOUT OUTLET NO.	“D”	
	mm	in.
2	11	0.45
3	11	0.45
4	11	0.45
5	11	0.45
9	11	0.45

Note: Measurements may vary ± 6mm (0.25")

FRONT VIEW

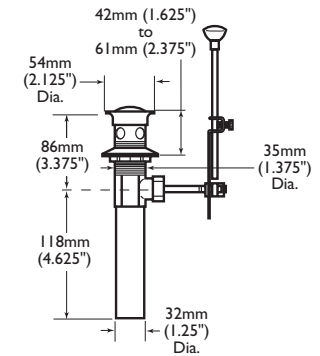


SIDE VIEW



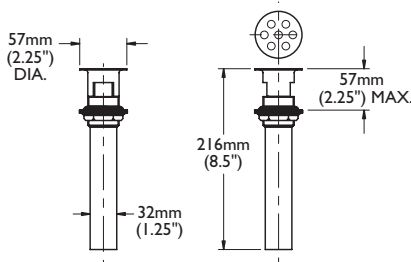
METAL POP-UP

(Supplied with Product Variation 2)



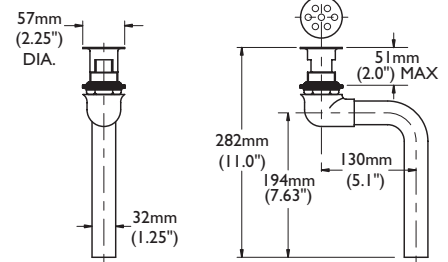
OPEN GRID STRAINER

(Supplied with Product Variation 3 or separate order of 33T260)



OFFSET OPEN GRID STRAINER

(Supplied with Product Variation 4 or separate order of 33T290)



Refer to www.specselect.com for individual models.

Note: Use this page front and back as a product submittal sheet.