

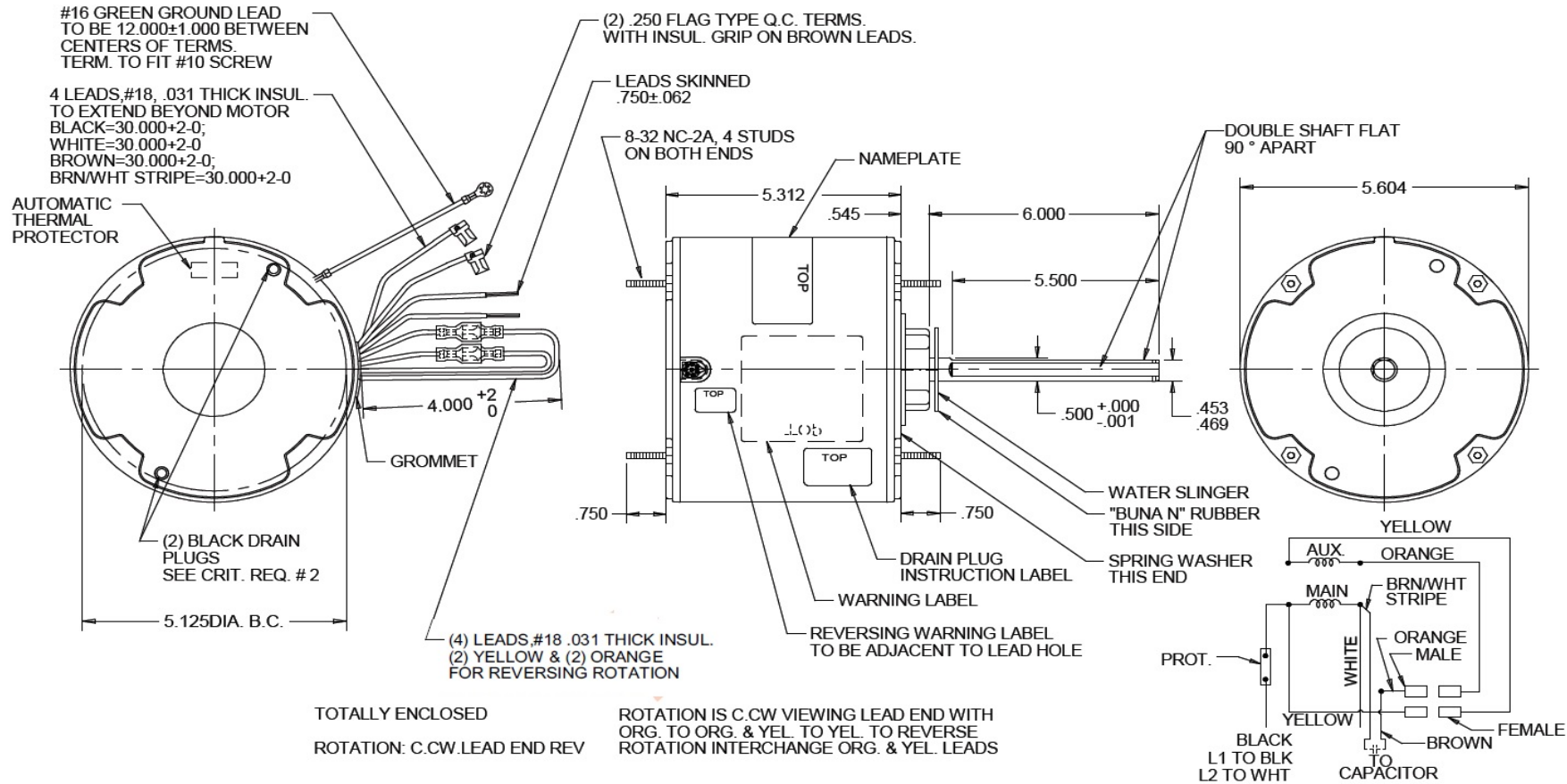
Dimensional Drawing



4M207BJ

REV.
-

| MODEL | REF | CUSTOMER | HP | VOLTS | AMPS | HZ | RPM | ROTATION | CUSTOMER PN | DESCRIPTION / REMARKS |
|---------------|-----|----------|-----|---------|------|----|------|--------------------|-------------|-----------------------|
| K55HXRHL-2146 | | DAYTON | 1/2 | 208-230 | 3.4 | 60 | 1075 | C.CW. LEAD END REV | 4M207BJ | BALL BEARING |



DIMENSIONS UNITS, INCHES

| | | |
|-------------|-------------|------|
| DRAWING NO. | PAGE 1 of 1 | REV. |
| 4M207BJ | | - |

4M207BJ

REV.

-

SHADED-POLE & PSC MOTOR PERFORMANCE

| | | | | | | | | |
|--|-----------------------|---------|---------|---------|-----|-----|-----|-----|
| HP: | 1/2 | | | | | | | |
| Poles: | 4 | | | | | | | |
| Ambient (°C): | 60 | | | | | | | |
| Altitude (FASL): | 1000 | | | | | | | |
| No. of Speeds: | 1 | | | | | | | |
| HIGH SPEED | | | | | | | | |
| Volts: | 208-230 | 115 | 208 | 230 | 277 | 460 | 100 | 200 |
| HZ: | 60 | 60 | 60 | 60 | 60 | 60 | 50 | 50 |
| Service Factor: | 1.0 | | | | | | | |
| Efficiency: | @ Rated Load | | 66.5 | 66.0 | | | | |
| Power Factor: | @ Rated Load | | 81.8 | 80.5 | | | | |
| Amps: | @ No Load | | | | | | | |
| | @ Rated Load | | 3.6 | 4.1 | | | | |
| | @ Locked Rotor | | | | | | | |
| RPM: | @ Rated Load | | 1075 | 1075 | | | | |
| Torques: Oz.Ft. / Lb.In. (Circle One) | Breakdown | | 52.1 | 64.8 | | | | |
| | Locked Rotor | | | 7.9 | | | | |
| | Pull-Up | | | | | | | |
| | Rated Load | | 43.2 | 52.8 | | | | |
| | Service Factor | | 1 | 1 | | | | |
| Watts: | Rated Load | | 619 | 764 | | | | |
| Temperature Rise: | @ Rated Load | | | | | | | |
| Thermal Protector: | Trip Temp (°C) | | 140~150 | 140~150 | | | | |
| | | | | | | | | |
| Winding Material: | Start (Auxiliary) | | AL | AL | | | | |
| | Run (Main) | | Copper | Copper | | | | |
| Capacitor: | Run (MFD / Volts) | 7.5 MFD | 370V | | | | | |
| | No. of Run Capacitors | 1 | | | | | | |
| MEDIUM-HIGH SPEED | | | | | | | | |
| HP: | 1/2 | | | | | | | |
| Volts: | 208-230 | 115 | 208 | 230 | 277 | 460 | 100 | 200 |
| HZ: | 60 | 60 | 60 | 60 | 60 | 60 | 50 | 50 |
| Efficiency: | @ Rated Load | | | | | | | |
| Power Factor: | @ Rated Load | | | | | | | |
| Amps: | @ No Load | | | | | | | |
| | @ Rated Load | | | | | | | |
| | @ Locked Rotor | | | | | | | |
| Torques: Oz.Ft. / Lb.In. (Circle One) | Breakdown | | | | | | | |
| | Locked Rotor | | | | | | | |
| | Pull-Up | | | | | | | |
| | Rated Load | | | | | | | |
| Watts: | Rated Load | | | | | | | |
| Temperature Rise: | @ Rated Load | | | | | | | |

DRAWING NO. PAGE 1 of 1
4M207BJ

REV.
-

Performance Data



4M207BJ

REV.

-

Dayton Manufacturing Company

Filtered

Motor Description

Model: K055RHL-2146
 Motor ID: 1 of 2
 Poles: 6
 Volts: 230
 Frequency: 60
 HP: 0.5
 Speed: 1075
 Phase: 1
 Protector: 7AM036-A5

Test Conditions

Test Type: Start
 Test Number: 7
 Poles: 6
 Volts: 208
 Hz: 60
 Rotation:
 Special Cond:
 Speed Conn:
 TestBoard: NMQC Plotter Fixture #1
 Run Cap: 7.5
 Start Cap: 0µfd
 Environment:
 Tested: 3/5/2019 10:16:29 AM
 Tested By: Sun, Luxiao
 Gear Ratio: 1:1
 Bearing Friction: -0.16 Oz-Ft
 Windage Torque: -0.44 Oz-Ft

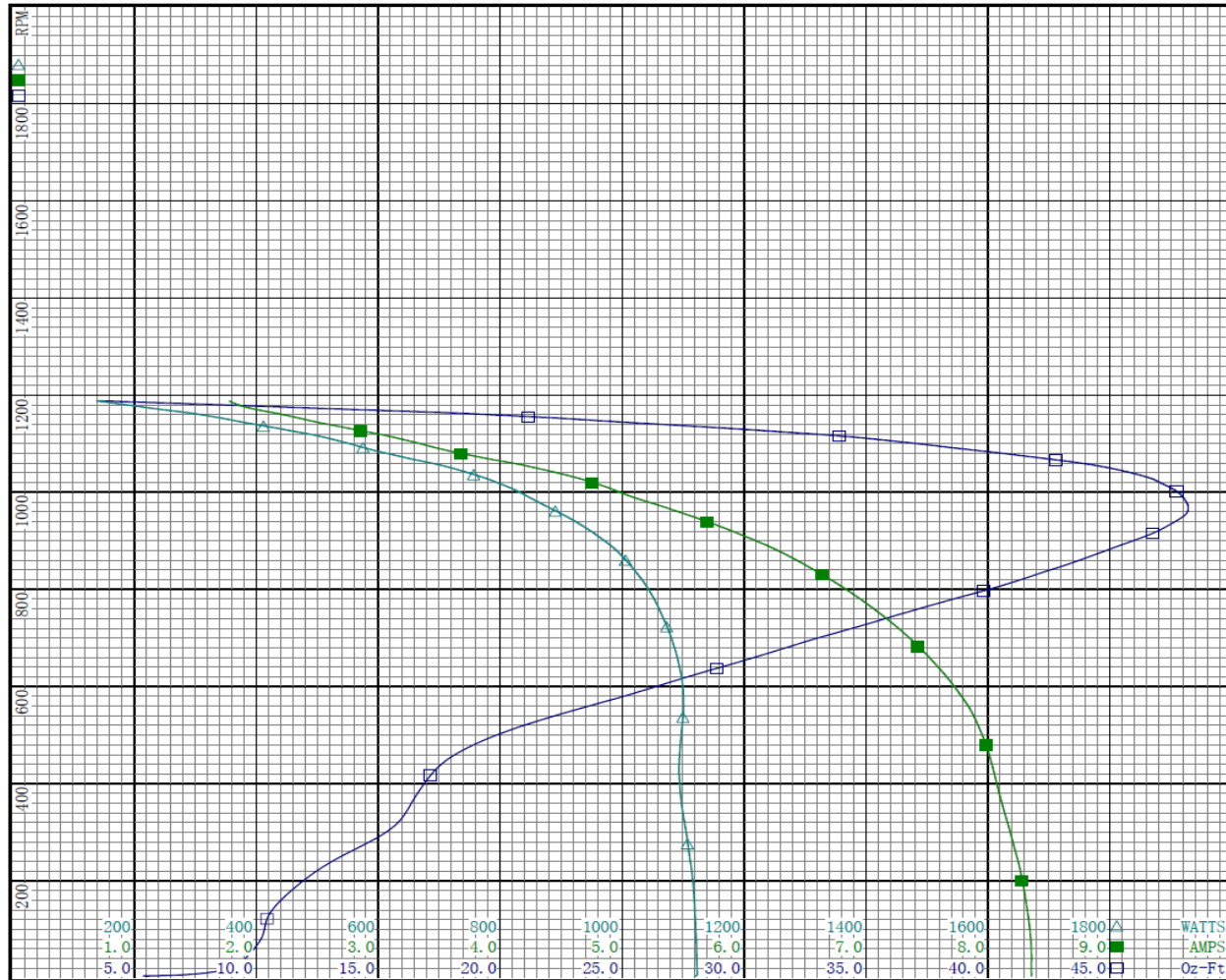
| Special Points PUT OZ-FT | Vline (V) | Vaux (V) | Vcap (V) | Iline (A) | Imain (A) | Iaux (A) | Watts | RPM | Tq (Oz-ft) | HP | Eff (%) | PF (%) | Cap |
|-----------------------------|-----------|----------|----------|-----------|-----------|----------|-------|-------|------------|------|---------|--------|-----|
| 208.0 | 40.5 | 231.8 | 8.285 | 8.758 | 0.683 | 1101.8 | 4 | 8.26 | 0.000 | 0.0 | 0.0 | 7.8 | |
| 208.0 | 40.5 | 231.8 | 8.285 | 8.758 | 0.683 | 1101.8 | 4 | 8.26 | 0.000 | 0.0 | 0.0 | 7.8 | |
| 208.0 | 39.7 | 230.7 | 8.301 | 8.772 | 0.681 | 1103.7 | 6 | 9.99 | 0.001 | 0.1 | 0.0 | 7.8 | |
| 208.0 | 39.7 | 229.5 | 8.299 | 8.765 | 0.677 | 1101.4 | 47 | 9.52 | 0.005 | 0.4 | 0.0 | 7.8 | |
| 208.0 | 38.2 | 224.4 | 8.264 | 8.710 | 0.654 | 1097.9 | 141 | 10.74 | 0.018 | 1.2 | 0.0 | 7.7 | |
| 208.0 | 37.0 | 219.6 | 8.204 | 8.626 | 0.624 | 1095.2 | 249 | 13.98 | 0.041 | 2.8 | 0.0 | 7.5 | |
| 208.0 | 39.3 | 215.5 | 8.107 | 8.506 | 0.607 | 1087.5 | 350 | 16.51 | 0.069 | 4.7 | 0.0 | 7.5 | |
| 208.0 | 45.0 | 211.6 | 8.004 | 8.377 | 0.598 | 1081.9 | 442 | 18.44 | 0.097 | 6.7 | 0.0 | 7.5 | |
| 208.0 | 53.3 | 209.5 | 7.863 | 8.206 | 0.600 | 1081.0 | 523 | 21.75 | 0.135 | 9.3 | 0.0 | 7.6 | |
| 208.0 | 62.1 | 208.9 | 7.684 | 7.995 | 0.606 | 1080.3 | 596 | 26.06 | 0.185 | 12.7 | 0.0 | 7.7 | |
| 208.0 | 71.0 | 209.0 | 7.467 | 7.746 | 0.611 | 1072.2 | 660 | 30.36 | 0.238 | 16.6 | 0.0 | 7.8 | |
| 208.0 | 80.4 | 209.7 | 7.228 | 7.472 | 0.617 | 1060.3 | 718 | 34.64 | 0.296 | 20.8 | 0.0 | 7.8 | |
| 208.0 | 90.0 | 211.1 | 6.960 | 7.167 | 0.622 | 1043.4 | 771 | 38.61 | 0.354 | 25.3 | 0.0 | 7.8 | |
| 208.0 | 99.7 | 213.6 | 6.671 | 6.842 | 0.632 | 1020.1 | 818 | 41.74 | 0.406 | 29.7 | 0.0 | 7.8 | |
| 208.0 | 108.7 | 217.0 | 6.378 | 6.519 | 0.645 | 992.2 | 860 | 43.94 | 0.450 | 33.8 | 0.0 | 7.9 | |
| 208.0 | 117.7 | 221.2 | 6.081 | 6.194 | 0.660 | 961.3 | 899 | 45.67 | 0.489 | 37.9 | 0.0 | 7.9 | |
| 208.0 | 127.4 | 226.3 | 5.759 | 5.840 | 0.675 | 924.6 | 933 | 46.98 | 0.522 | 42.1 | 0.0 | 7.9 | |
| 208.0 | 137.3 | 232.8 | 5.409 | 5.460 | 0.693 | 880.1 | 964 | 47.69 | 0.547 | 46.4 | 0.0 | 7.9 | |
| 208.0 | 147.5 | 240.1 | 5.013 | 5.058 | 0.712 | 830.3 | 992 | 47.75 | 0.564 | 50.7 | 0.0 | 7.9 | |
| 208.0 | 156.4 | 247.0 | 4.700 | 4.739 | 0.731 | 780.9 | 1017 | 46.92 | 0.568 | 54.3 | 0.0 | 7.9 | |
| 208.0 | 164.5 | 254.1 | 4.381 | 4.413 | 0.749 | 731.1 | 1040 | 45.42 | 0.562 | 57.4 | 0.0 | 7.8 | |
| 208.0 | 172.5 | 261.6 | 4.053 | 4.076 | 0.767 | 677.5 | 1061 | 43.43 | 0.548 | 60.4 | 0.0 | 7.8 | |
| 208.0 | 180.5 | 269.7 | 3.718 | 3.742 | 0.785 | 619.6 | 1080 | 40.82 | 0.525 | 63.2 | 0.0 | 7.7 | |
| 208.0 | 187.3 | 276.9 | 3.426 | 3.458 | 0.802 | 567.2 | 1097 | 37.97 | 0.496 | 65.2 | 0.0 | 7.7 | |
| 208.0 | 194.5 | 285.1 | 3.110 | 3.165 | 0.823 | 505.6 | 1113 | 34.27 | 0.454 | 67.0 | 0.0 | 7.7 | |
| 208.0 | 201.7 | 294.2 | 2.774 | 2.872 | 0.845 | 436.2 | 1128 | 29.61 | 0.397 | 67.9 | 0.0 | 7.6 | |
| 208.0 | 208.0 | 302.7 | 2.475 | 2.634 | 0.869 | 371.8 | 1141 | 24.84 | 0.337 | 67.7 | 0.0 | 7.6 | |
| 208.0 | 212.3 | 309.2 | 2.278 | 2.498 | 0.890 | 325.8 | 1154 | 21.11 | 0.290 | 66.4 | 0.0 | 7.6 | |
| 208.0 | 216.2 | 315.8 | 2.100 | 2.399 | 0.910 | 278.1 | 1168 | 16.94 | 0.236 | 63.2 | 0.0 | 7.6 | |
| 208.0 | 221.0 | 324.3 | 1.909 | 2.331 | 0.933 | 216.3 | 1181 | 11.37 | 0.160 | 55.0 | 0.0 | 7.6 | |
| 208.0 | 225.2 | 332.5 | 1.816 | 2.372 | 0.951 | 157.1 | 1191 | 5.43 | 0.077 | 35.6 | 0.0 | 7.6 | |

DRAWING NO. PAGE 1 of 8 REV.
 4M207BJ -

Performance Data



4M207BJ REV. -



Curve Descriptions:
 Motor(1) Test 7 Start 208V 60 Hz 6P
 7.5ufd Run Filtered Data
 □ SPEED vs TORQUE
 ■ SPEED vs ILine
 △ SPEED vs WATTS

Motor Ratings:
 (1) K055RHL-2146 ID: 2 of 2

DRAWING NO. PAGE 2 of 8 REV.
 4M207BJ -

Performance Data



4M207BJ REV.
-

Dayton Manufacturing Company

Motor Description

Model: 4M207BJ
 Motor ID: 1/1
 Poles: 6
 Volts: 208-230
 Frequency: 60
 HP: 1/2
 Speed: 1075
 Phase: 1
 Protector: -

Test Conditions

Test Type: Run Run Cap: 7.5
 Test Number: 3 Start Cap: Qufd
 Poles: 6 Environment:
 Volts: 208 Tested: 4/15/2015 3:36:06 PM
 Hz: 60 Tested By: Sharp, Gerald
 Rotation: Gear Ratio: 1:1
 Special Cond: Bearing Friction: -0.19 Oz-Ft
 Speed Conn: Windage Torque: -0.38 Oz-Ft
 TestBoard: Amtps Performance Fixture #3

| Special Points | Vline (V) | Vaux (V) | Vcap (V) | Iline(A) | Imain(A) | Iaux (A) | Watts | RPM | Tq(Oz-ft) | HP | Eff(%) | PF(%) | Cap |
|------------------|--------------|--------------|--------------|--------------|--------------|--------------|--------------|-------------|--------------|--------------|-------------|-------------|------------|
| | 208.0 | 234.0 | 342.7 | 1.724 | 2.338 | 1.072 | 101.4 | 1197 | 0.00 | 0.000 | 0.0 | 28.3 | 8.3 |
| | 208.0 | 227.2 | 332.1 | 1.719 | 2.217 | 1.003 | 162.3 | 1184 | 6.35 | 0.090 | 41.1 | 45.4 | 8.0 |
| | 208.0 | 221.6 | 321.5 | 1.866 | 2.211 | 0.956 | 230.0 | 1170 | 13.27 | 0.185 | 59.9 | 59.3 | 7.9 |
| | 208.0 | 217.6 | 312.6 | 2.090 | 2.305 | 0.924 | 294.7 | 1158 | 19.21 | 0.265 | 67.0 | 67.8 | 7.8 |
| | 208.0 | 213.9 | 304.5 | 2.336 | 2.458 | 0.900 | 356.1 | 1144 | 24.45 | 0.333 | 69.8 | 73.3 | 7.8 |
| | 208.0 | 208.9 | 296.0 | 2.617 | 2.664 | 0.874 | 419.8 | 1129 | 29.54 | 0.397 | 70.5 | 77.1 | 7.8 |
| | 208.0 | 202.9 | 287.2 | 2.914 | 2.913 | 0.847 | 481.3 | 1114 | 34.17 | 0.453 | 70.3 | 79.4 | 7.8 |
| | 208.0 | 195.8 | 277.9 | 3.234 | 3.202 | 0.820 | 544.1 | 1098 | 38.48 | 0.503 | 68.9 | 80.9 | 7.8 |
| | 208.0 | 188.2 | 268.6 | 3.555 | 3.509 | 0.792 | 603.9 | 1080 | 42.45 | 0.546 | 67.4 | 81.7 | 7.8 |
| 1075 RPM | 208.0 | 186.3 | 266.2 | 3.639 | 3.590 | 0.786 | 619.1 | 1075 | 43.15 | 0.552 | 66.5 | 81.8 | 7.8 |
| | 208.0 | 180.1 | 259.3 | 3.888 | 3.840 | 0.766 | 662.5 | 1061 | 45.39 | 0.573 | 64.6 | 81.9 | 7.8 |
| | 208.0 | 171.2 | 250.1 | 4.235 | 4.193 | 0.739 | 720.9 | 1039 | 48.09 | 0.595 | 61.6 | 81.8 | 7.8 |
| | 208.0 | 162.3 | 241.7 | 4.564 | 4.537 | 0.714 | 773.7 | 1017 | 50.16 | 0.608 | 58.6 | 81.5 | 7.8 |
| | 208.0 | 153.0 | 233.7 | 4.904 | 4.900 | 0.691 | 824.2 | 992 | 51.42 | 0.608 | 55.0 | 80.8 | 7.8 |
| BDT OZ-FT | 208.0 | 145.4 | 227.9 | 5.173 | 5.188 | 0.674 | 862.5 | 970 | 52.07 | 0.602 | 52.0 | 80.2 | 7.8 |
| | 208.0 | 143.6 | 226.5 | 5.241 | 5.261 | 0.670 | 872.6 | 965 | 51.95 | 0.597 | 51.0 | 80.1 | 7.8 |
| | 208.0 | 134.0 | 220.3 | 5.560 | 5.607 | 0.651 | 914.2 | 936 | 51.89 | 0.578 | 47.2 | 79.0 | 7.8 |
| | 208.0 | 124.6 | 215.2 | 5.878 | 5.955 | 0.637 | 954.8 | 904 | 50.86 | 0.547 | 42.7 | 78.1 | 7.8 |
| | 208.0 | 115.2 | 211.0 | 6.175 | 6.285 | 0.625 | 988.5 | 870 | 49.71 | 0.515 | 38.8 | 77.0 | 7.9 |
| | 208.0 | 106.1 | 208.0 | 6.460 | 6.602 | 0.617 | 1018.6 | 831 | 47.33 | 0.468 | 34.3 | 75.8 | 7.9 |
| | 208.0 | 97.3 | 206.1 | 6.725 | 6.898 | 0.611 | 1043.1 | 791 | 44.98 | 0.424 | 30.3 | 74.6 | 7.9 |
| | 208.0 | 89.0 | 205.1 | 6.976 | 7.181 | 0.609 | 1065.9 | 747 | 42.21 | 0.375 | 26.3 | 73.5 | 7.9 |
| | 208.0 | 81.0 | 204.8 | 7.202 | 7.438 | 0.610 | 1082.2 | 699 | 38.41 | 0.320 | 22.0 | 72.2 | 7.9 |
| | 208.0 | 73.5 | 205.3 | 7.408 | 7.673 | 0.613 | 1095.1 | 648 | 34.52 | 0.266 | 18.1 | 71.1 | 7.9 |
| | 208.0 | 66.9 | 206.8 | 7.592 | 7.889 | 0.621 | 1104.5 | 593 | 30.65 | 0.216 | 14.6 | 69.9 | 8.0 |
| | 208.0 | 59.5 | 207.9 | 7.756 | 8.077 | 0.620 | 1110.5 | 534 | 26.86 | 0.171 | 11.5 | 68.8 | 7.9 |
| | 208.0 | 53.4 | 210.1 | 7.887 | 8.233 | 0.626 | 1111.7 | 471 | 23.47 | 0.132 | 8.8 | 67.8 | 7.9 |
| | 208.0 | 47.9 | 212.7 | 7.976 | 8.348 | 0.633 | 1113.6 | 405 | 21.25 | 0.102 | 6.9 | 67.1 | 7.9 |
| | 208.0 | 43.9 | 216.4 | 8.046 | 8.438 | 0.644 | 1118.1 | 333 | 19.54 | 0.078 | 5.2 | 66.8 | 7.9 |
| | 208.0 | 41.5 | 220.2 | 8.115 | 8.525 | 0.657 | 1125.9 | 257 | 17.40 | 0.053 | 3.5 | 66.7 | 7.9 |
| | 208.0 | 41.3 | 224.7 | 8.177 | 8.607 | 0.678 | 1131.0 | 175 | 13.77 | 0.029 | 1.9 | 66.5 | 8.0 |

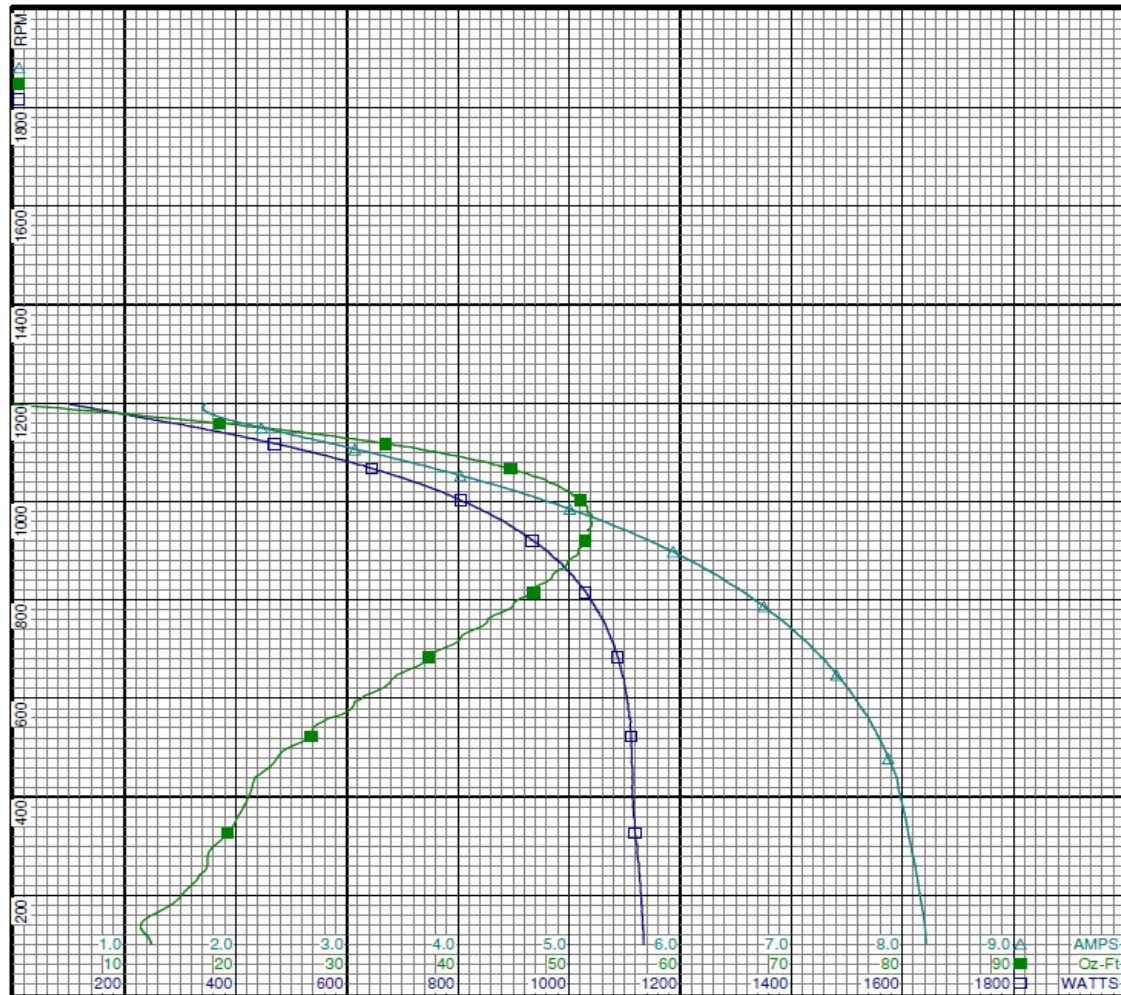
DRAWING NO. PAGE 3 of 8 REV.
 4M207BJ -

Performance Data



4M207BJ

REV.
-



Curve Descriptions:

Motor(1) Test 3 Run 208V 60 Hz 6P
7.5ufd Run

- SPEED vs WATTS
- SPEED vs TORQUE
- △ SPEED vs ILine

Motor Ratings:

(1) 4M207BJ

DRAWING NO. PAGE 4 of 8 REV.
4M207BJ -

Dayton Electric Mfg. Co. Lake Forest, IL 60045 USA

Performance Data



4M207BJ

REV.

-

Dayton Manufacturing Company

Filtered

Motor Description

Model: K055RHL-2146
 Motor ID: 1 of 2
 Poles: 6
 Volts: 230
 Frequency: 60
 HP: 0.5
 Speed: 1075
 Phase: 1
 Protector: 7AM036-A5

Test Conditions

Test Type: Start
 Test Number: 4
 Poles: 6
 Volts: 230
 Hz: 60
 Rotation:
 Special Cond:
 Speed Conn:
 TestBoard: NMQC Plotter Fixture #1
 Run Cap: 7.5
 Start Cap: 0µfd
 Environment:
 Tested: 3/5/2019 10:25:26 AM
 Tested By: Sun, Luxiao
 Gear Ratio: 1:1
 Bearing Friction: -0.17 Oz-Ft
 Windage Torque: 0.17 Oz-Ft

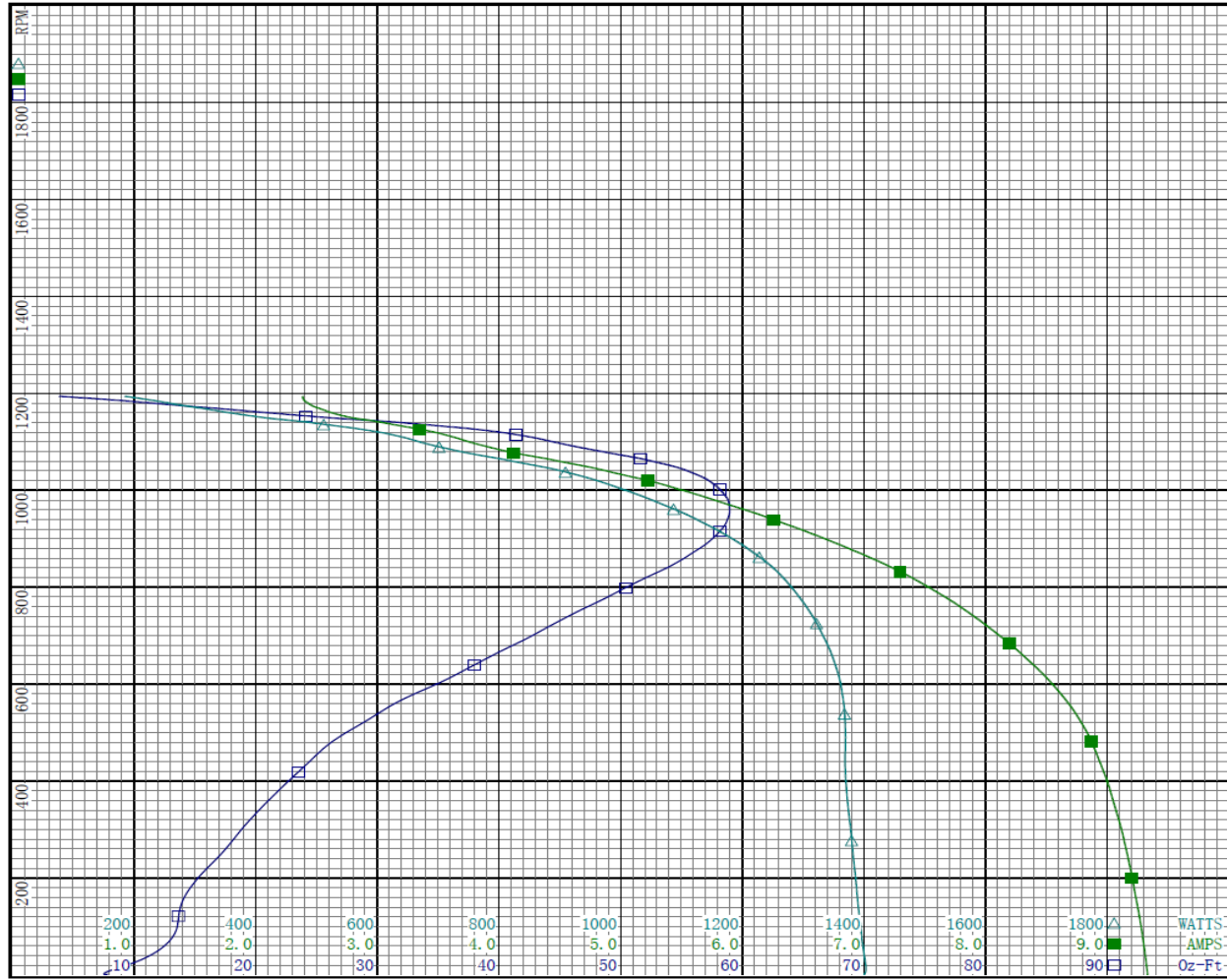
| Special Points | Vline (V) | Vaux (V) | Vcap (V) | Iline (A) | Imain (A) | Iaux (A) | Watts | RPM | Tq (Oz-ft) | HP | Eff (%) | PF (%) | Cap |
|----------------|-----------|----------|----------|-----------|-----------|----------|--------|------|------------|-------|---------|--------|-----|
| | 230.0 | 45.0 | 255.7 | 9.334 | 9.838 | 0.758 | 1401.2 | 1 | 7.82 | 0.000 | 0.0 | 0.0 | 7.9 |
| | 230.0 | 45.1 | 255.7 | 9.330 | 9.830 | 0.757 | 1401.4 | 2 | 7.53 | 0.000 | 0.0 | 0.0 | 7.9 |
| PUT OZ-FT | 230.0 | 45.2 | 255.7 | 9.330 | 9.830 | 0.757 | 1401.7 | 3 | 7.53 | 0.000 | 0.0 | 0.0 | 7.9 |
| | 230.0 | 42.7 | 252.4 | 9.310 | 9.805 | 0.741 | 1399.9 | 44 | 11.61 | 0.007 | 0.3 | 0.0 | 7.8 |
| | 230.0 | 40.3 | 246.6 | 9.249 | 9.730 | 0.715 | 1390.5 | 141 | 13.81 | 0.023 | 1.2 | 0.0 | 7.7 |
| | 230.0 | 41.2 | 242.5 | 9.163 | 9.626 | 0.694 | 1381.9 | 249 | 17.14 | 0.051 | 2.7 | 0.0 | 7.6 |
| | 230.0 | 45.4 | 238.6 | 9.057 | 9.496 | 0.681 | 1373.4 | 351 | 20.69 | 0.086 | 4.7 | 0.0 | 7.6 |
| | 230.0 | 51.9 | 234.4 | 8.931 | 9.340 | 0.669 | 1368.9 | 443 | 24.55 | 0.129 | 7.0 | 0.0 | 7.6 |
| | 230.0 | 61.2 | 232.4 | 8.775 | 9.146 | 0.665 | 1368.8 | 525 | 29.14 | 0.182 | 9.9 | 0.0 | 7.6 |
| | 230.0 | 71.2 | 231.8 | 8.557 | 8.888 | 0.665 | 1362.0 | 597 | 34.64 | 0.246 | 13.5 | 0.0 | 7.6 |
| | 230.0 | 81.5 | 232.5 | 8.294 | 8.588 | 0.674 | 1346.4 | 662 | 39.70 | 0.313 | 17.3 | 0.0 | 7.7 |
| | 230.0 | 91.5 | 234.2 | 8.009 | 8.271 | 0.689 | 1324.4 | 720 | 44.21 | 0.379 | 21.3 | 0.0 | 7.8 |
| | 230.0 | 102.0 | 236.7 | 7.711 | 7.936 | 0.702 | 1297.6 | 773 | 48.38 | 0.445 | 25.6 | 0.0 | 7.9 |
| | 230.0 | 112.9 | 240.2 | 7.390 | 7.577 | 0.716 | 1266.8 | 820 | 52.09 | 0.508 | 29.9 | 0.0 | 7.9 |
| | 230.0 | 124.5 | 245.1 | 7.039 | 7.185 | 0.730 | 1228.2 | 862 | 55.38 | 0.568 | 34.5 | 0.0 | 7.9 |
| | 230.0 | 135.1 | 250.9 | 6.680 | 6.790 | 0.748 | 1183.6 | 900 | 57.52 | 0.616 | 38.8 | 0.0 | 7.9 |
| | 230.0 | 145.7 | 257.3 | 6.319 | 6.399 | 0.769 | 1134.5 | 934 | 58.68 | 0.652 | 42.9 | 0.0 | 7.9 |
| | 230.0 | 155.4 | 263.9 | 5.967 | 6.020 | 0.791 | 1082.2 | 964 | 58.94 | 0.676 | 46.6 | 0.0 | 7.9 |
| | 230.0 | 164.9 | 271.0 | 5.610 | 5.640 | 0.811 | 1024.9 | 992 | 58.49 | 0.691 | 50.3 | 0.0 | 7.9 |
| | 230.0 | 174.1 | 278.4 | 5.258 | 5.273 | 0.831 | 966.0 | 1018 | 57.35 | 0.695 | 53.7 | 0.0 | 7.9 |
| | 230.0 | 183.9 | 286.9 | 4.850 | 4.883 | 0.849 | 895.9 | 1042 | 55.29 | 0.686 | 57.1 | 0.0 | 7.8 |
| | 230.0 | 193.3 | 296.0 | 4.481 | 4.521 | 0.868 | 820.0 | 1060 | 52.48 | 0.663 | 60.3 | 0.0 | 7.8 |
| | 230.0 | 201.8 | 304.2 | 4.121 | 4.166 | 0.889 | 746.7 | 1077 | 49.01 | 0.628 | 62.8 | 0.0 | 7.8 |
| | 230.0 | 208.7 | 311.3 | 3.830 | 3.889 | 0.909 | 685.0 | 1094 | 45.43 | 0.592 | 64.5 | 0.0 | 7.7 |
| | 230.0 | 214.2 | 317.2 | 3.590 | 3.670 | 0.927 | 632.9 | 1112 | 42.06 | 0.557 | 65.6 | 0.0 | 7.8 |
| | 230.0 | 220.3 | 324.7 | 3.314 | 3.436 | 0.947 | 564.3 | 1127 | 37.44 | 0.503 | 66.4 | 0.0 | 7.7 |
| | 230.0 | 226.6 | 333.3 | 3.019 | 3.214 | 0.970 | 482.5 | 1141 | 31.41 | 0.427 | 65.9 | 0.0 | 7.7 |
| | 230.0 | 232.9 | 342.1 | 2.738 | 3.027 | 0.997 | 398.6 | 1152 | 24.68 | 0.339 | 63.4 | 0.0 | 7.7 |
| | 230.0 | 237.3 | 349.1 | 2.572 | 2.954 | 1.019 | 334.8 | 1164 | 18.92 | 0.262 | 58.4 | 0.0 | 7.7 |
| | 230.0 | 241.5 | 356.2 | 2.444 | 2.933 | 1.037 | 269.5 | 1177 | 12.64 | 0.177 | 49.1 | 0.0 | 7.7 |
| | 230.0 | 245.8 | 364.0 | 2.387 | 2.991 | 1.055 | 203.7 | 1190 | 5.89 | 0.083 | 30.3 | 0.0 | 7.7 |
| | 230.0 | 247.1 | 366.2 | 2.385 | 3.021 | 1.061 | 184.9 | 1194 | 3.85 | 0.055 | 21.9 | 0.0 | 7.7 |

DRAWING NO. PAGE 5 of 8 REV.
 4M207BJ -

Performance Data



4M207BJ REV. -



Curve Descriptions:
 Motor(1) Test 4 Start 230V 60 Hz 6P
 7.5ufd Run Filtered Data
 □ SPEED vs TORQUE
 ■ SPEED vs ILine
 △ SPEED vs WATTS

Motor Ratings:
 (1) K055RHL-2146 ID: 1 of 2

DRAWING NO. PAGE 6 of 8 REV.
4M207BJ -

©2019 W.W. Grainger, Inc. This design may not be reproduced, modified or redistributed without written permission from W.W. Grainger, Inc.

Performance Data



4M207BJ REV.
-

Dayton Manufacturing Company

Motor Description

Model: 4M207BJ
 Motor ID: 1/1
 Poles: 6
 Volts: 208-230
 Frequency: 60
 HP: 1/2
 Speed: 1075
 Phase: 1
 Protector: -

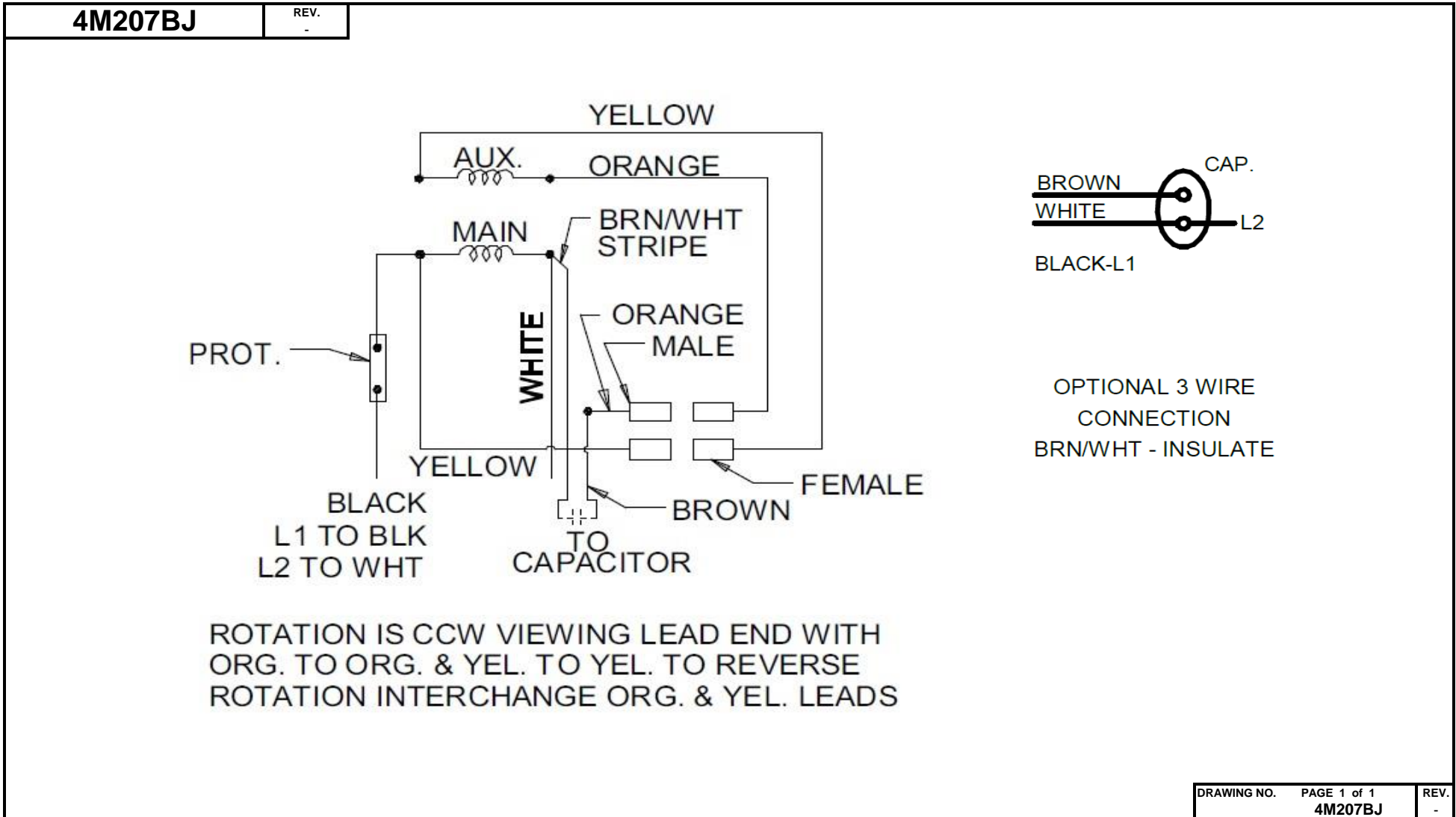
Test Conditions

Test Type: Run Run Cap: 7.5
 Test Number: 4 Start Cap: Qufd
 Poles: 6 Environment:
 Volts: 230 Tested: 4/15/2015 3:38:34 PM
 Hz: 60 Tested By: Sharp, Gerald
 Rotation: Gear Ratio: 1:1
 Special Cond: Bearing Friction: -0.18 Oz-Ft
 Speed Conn: Windage Torque: -0.38 Oz-Ft
 TestBoard: Amtps Performance Fixture #3

| Special Points | Vline (V) | Vaux (V) | Vcap (V) | Iline (A) | Imain (A) | Iaux (A) | Watts | RPM | Tq(Oz-ft) | HP | Eff(%) | PF(%) | Cap |
|------------------|--------------|--------------|--------------|--------------|--------------|--------------|---------------|-------------|--------------|--------------|-------------|-------------|------------|
| | 230.0 | 256.9 | 374.9 | 2.333 | 2.942 | 1.268 | 143.8 | 1197 | 0.00 | 0.000 | 0.0 | 26.8 | 9.0 |
| | 230.0 | 250.4 | 364.5 | 2.302 | 2.804 | 1.196 | 213.2 | 1185 | 7.32 | 0.103 | 36.1 | 40.3 | 8.7 |
| | 230.0 | 243.8 | 353.3 | 2.387 | 2.765 | 1.136 | 293.3 | 1171 | 15.67 | 0.218 | 55.5 | 53.4 | 8.5 |
| | 230.0 | 238.8 | 344.3 | 2.561 | 2.824 | 1.096 | 365.0 | 1158 | 22.46 | 0.310 | 63.3 | 62.0 | 8.4 |
| | 230.0 | 234.1 | 335.7 | 2.789 | 2.950 | 1.059 | 438.4 | 1145 | 28.98 | 0.395 | 67.2 | 68.3 | 8.4 |
| | 230.0 | 228.7 | 326.8 | 3.056 | 3.137 | 1.020 | 513.5 | 1131 | 35.24 | 0.474 | 68.9 | 73.1 | 8.3 |
| | 230.0 | 222.5 | 317.8 | 3.349 | 3.374 | 0.981 | 589.0 | 1115 | 41.03 | 0.545 | 69.0 | 76.5 | 8.2 |
| | 230.0 | 215.4 | 308.5 | 3.670 | 3.658 | 0.943 | 664.7 | 1099 | 46.36 | 0.606 | 68.1 | 78.7 | 8.1 |
| | 230.0 | 207.6 | 298.7 | 4.013 | 3.978 | 0.909 | 740.2 | 1080 | 51.40 | 0.661 | 66.6 | 80.2 | 8.1 |
| 1075 RPM | 230.0 | 205.1 | 295.6 | 4.128 | 4.090 | 0.899 | 764.3 | 1075 | 52.82 | 0.676 | 66.0 | 80.5 | 8.1 |
| | 230.0 | 199.5 | 289.2 | 4.364 | 4.322 | 0.878 | 812.8 | 1062 | 55.56 | 0.703 | 64.5 | 81.0 | 8.0 |
| | 230.0 | 190.2 | 279.2 | 4.736 | 4.699 | 0.845 | 883.6 | 1041 | 59.02 | 0.731 | 61.7 | 81.1 | 8.0 |
| | 230.0 | 180.5 | 269.7 | 5.108 | 5.081 | 0.815 | 951.5 | 1018 | 61.60 | 0.747 | 58.5 | 81.0 | 8.0 |
| | 230.0 | 170.2 | 260.6 | 5.496 | 5.490 | 0.787 | 1018.4 | 993 | 63.69 | 0.753 | 55.1 | 80.6 | 8.0 |
| | 230.0 | 160.2 | 252.6 | 5.862 | 5.881 | 0.761 | 1080.2 | 966 | 64.50 | 0.742 | 51.2 | 80.1 | 8.0 |
| BDT OZ-FT | 230.0 | 151.9 | 246.8 | 6.159 | 6.200 | 0.742 | 1125.5 | 942 | 64.83 | 0.727 | 48.2 | 79.5 | 8.0 |
| | 230.0 | 149.7 | 245.5 | 6.233 | 6.279 | 0.737 | 1137.0 | 936 | 64.53 | 0.719 | 47.2 | 79.3 | 8.0 |
| | 230.0 | 139.3 | 239.5 | 6.587 | 6.665 | 0.716 | 1187.5 | 905 | 63.86 | 0.688 | 43.2 | 78.4 | 7.9 |
| | 230.0 | 128.7 | 234.3 | 6.930 | 7.043 | 0.699 | 1234.7 | 869 | 62.12 | 0.643 | 38.9 | 77.5 | 7.9 |
| | 230.0 | 118.7 | 230.7 | 7.255 | 7.401 | 0.686 | 1274.8 | 832 | 59.95 | 0.594 | 34.7 | 76.4 | 7.9 |
| | 230.0 | 108.8 | 228.1 | 7.562 | 7.743 | 0.677 | 1309.6 | 790 | 56.99 | 0.536 | 30.5 | 75.3 | 7.9 |
| | 230.0 | 99.4 | 226.7 | 7.846 | 8.061 | 0.672 | 1338.1 | 746 | 53.04 | 0.471 | 26.3 | 74.2 | 7.9 |
| | 230.0 | 90.4 | 226.3 | 8.111 | 8.361 | 0.671 | 1363.0 | 699 | 49.03 | 0.408 | 22.3 | 73.1 | 7.9 |
| | 230.0 | 82.0 | 226.7 | 8.350 | 8.632 | 0.673 | 1382.4 | 649 | 44.83 | 0.346 | 18.7 | 72.0 | 7.9 |
| | 230.0 | 74.3 | 228.1 | 8.563 | 8.879 | 0.680 | 1395.8 | 594 | 40.35 | 0.285 | 15.2 | 70.9 | 7.9 |
| | 230.0 | 66.4 | 229.5 | 8.754 | 9.098 | 0.681 | 1406.0 | 535 | 35.49 | 0.226 | 12.0 | 69.8 | 7.9 |
| | 230.0 | 59.3 | 231.8 | 8.909 | 9.283 | 0.688 | 1411.6 | 471 | 30.94 | 0.173 | 9.2 | 68.9 | 7.9 |
| | 230.0 | 53.3 | 234.7 | 9.030 | 9.430 | 0.697 | 1416.4 | 403 | 27.30 | 0.131 | 6.9 | 68.2 | 7.9 |
| | 230.0 | 48.9 | 238.5 | 9.121 | 9.544 | 0.710 | 1422.9 | 332 | 24.84 | 0.098 | 5.2 | 67.8 | 7.9 |
| | 230.0 | 46.5 | 242.6 | 9.197 | 9.642 | 0.727 | 1431.3 | 256 | 21.92 | 0.067 | 3.5 | 67.7 | 7.9 |
| | 230.0 | 46.5 | 247.4 | 9.266 | 9.733 | 0.752 | 1437.6 | 174 | 16.99 | 0.035 | 1.8 | 67.5 | 8.1 |

DRAWING NO. PAGE 7 of 8 REV.
 4M207BJ -

Wiring Diagram



Dayton®

CONDENSER FAN MOTOR

HP: 1/2
VOLTS: 208-230

AMPS: 3.4
RPM: 1075
DUTY: CONT
SF: 1.0

KVA CODE:
ENCL: TEAO

THERMALLY PROTECTED: AUTO

MFG. NO. PROT. CODE: 7A010 AVG.F.L

MTR REF: K55HXRHL-2146 EFF.

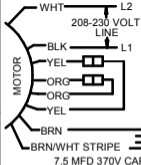
BAR CODE

Part No 4M207BJ

PH: 1
HZ: 60
FR: 48YZ
INS CL: B
AMB: 60 °C
SFA:

**Disconnect Power Before Making Any
Electrical Connections or Changes**

TO REVERSE ROTATION
INTERCHANGE ORG
AND YEL LEADS



OPTIONAL 3 WIRE
CONNECTION
BRN/WHT - INSULATE

RU[®]
E37403

SA[®]
258501

US PAT 7709992

Mfd for Dayton Electric Mfg. Co., Lake Forest, IL 60045 USA

Made In China