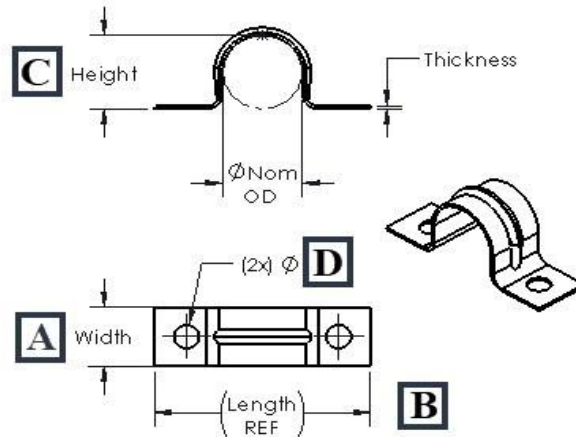


Dundee Manufacturing

Regular Duty Pipe Strap Technical Specifications

Pipe straps

Date: 04/05/2022



Regular Duty Pipe Straps -Galvanized

| size Catalog | Nom. OD | Range | Thickness | Gauge | Nom. A | Range | Nom. B | Range | Nom. C | Range | Nom. D | Range | Rib Feature |
|-----------------|------------|-------------|-----------|-------|-----------|-----------|-----------|-------------|-----------|-------------|-----------|-----------|----------------|
| 3/8 | 0.687 | .625-.749 | .023-.028 | 24 | 0.750 | .625-.765 | 2.25 | 2.150-2.350 | 0.687 | .625-.749 | 0.184 | .175-.195 | yes |
| 1/2 | 0.840 | .750-.875 | .023-.028 | 24 | 0.750 | .625-.765 | 2.42 | 2.320-2.520 | 0.840 | .750-.875 | 0.196 | .186-.206 | yes |
| 3/4 | 1.062 | 1.000-1.075 | .023-.028 | 24 | 0.750 | .625-.765 | 2.475 | 2.375-2.575 | 1.062 | 1.000-1.075 | 0.265 | .245-.275 | yes |
| 1 | 1.312 | 1.250-1.332 | .037-.042 | 20 | 0.750 | .625-.765 | 3.540 | 3.450-3.640 | 1.312 | 1.250-1.332 | 0.250 | .245-.275 | yes |
| 1 1/4 | 1.687 | 1.600-1.707 | .037-.042 | 20 | 0.750 | .625-.765 | 3.450 | 3.350-3.550 | 1.687 | 1.600-1.707 | 0.250 | .245-.275 | yes |
| 1 1/2 | 1.875 | 1.800-1.895 | .037-.042 | 20 | 0.875 | .750-.890 | 3.790 | 3.690-3.890 | 1.875 | 1.800-1.895 | 0.250 | .245-.275 | yes |
| 2 | 2.375 | 2.300-2.395 | .037-.042 | 20 | 0.875 | .750-.890 | 4.475 | 4.375-4.575 | 2.375 | 2.300-2.395 | 0.250 | .245-.275 | yes |
| 2 1/2 | 2.875 | 2.775-2.900 | .053-.070 | 16 | 0.875 | .750-.890 | 5.880 | 5.700-6.00 | 2.875 | 2.775-2.900 | 0.306 | .305-.325 | yes |
| 3 | 3.500 | 3.400-3.515 | .053-.070 | 16 | 0.875 | .750-.890 | 6.800 | 6.600-7.00 | 3.500 | 3.400-3.515 | 0.306 | .305-.325 | yes |
| 4 | 4.500 | 4.400-4.515 | .053-.070 | 16 | 0.875 | .750-.890 | 8.110 | 7.910-8.250 | 4.500 | 4.400-4.515 | 0.306 | .305-.325 | yes |

Regular Duty Pipe Straps -Copper Coated

| size Catalog | Nom. OD | Range | Thickness | Gauge | Nom. A | Range | Nom. B | Range | Nom. C | Range | Nom. D | Range | Rib Feature |
|-----------------|------------|-------------|-----------|-------|-----------|-----------|-----------|-------------|-----------|-------------|-----------|-----------|----------------|
| 3/8 | 0.562 | .500-.624 | .018-.023 | 28 | 0.500 | .375-.515 | 1.875 | 1.775-1.975 | 0.562 | .500-.624 | 0.196 | .186-.206 | NO |
| 1/2 | 0.625 | 0.563-.687 | .018-.023 | 28 | 0.500 | .375-.515 | 1.688 | 1.588-1.788 | 0.625 | 0.563-.687 | 0.196 | .186-.206 | yes |
| 3/4 | 0.875 | .813-.937 | .018-.023 | 28 | 0.500 | .375-.515 | 2.475 | 2.375-2.575 | 0.875 | .813-.937 | 0.196 | .186-.206 | yes |
| 1 | 1.140 | 1.078-1.202 | .023-.028 | 24 | 0.750 | .625-.765 | 2.875 | 2.775-2.975 | 1.140 | 1.078-1.202 | 0.196 | .186-.206 | yes |
| 1 1/4 | 1.400 | 1.338-1.462 | .023-.028 | 24 | 0.750 | .625-.765 | 3.281 | 3.181-3.383 | 1.400 | 1.338-1.462 | 0.206 | .196-.216 | yes |
| 1 1/2 | 1.675 | 1.613-1.737 | .023-.028 | 24 | 0.875 | .750-.890 | 3.450 | 3.350-3.550 | 1.675 | 1.613-1.737 | 0.250 | .245-.275 | yes |
| 2 | 2.155 | 2.093-2.217 | .023-.028 | 24 | 0.875 | .750-.890 | 3.900 | 3.800-4.000 | 2.155 | 2.093-2.217 | 0.250 | .245-.275 | yes |