

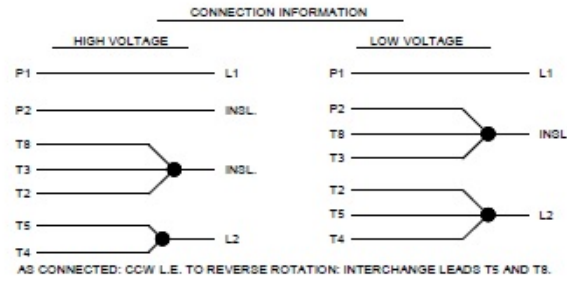
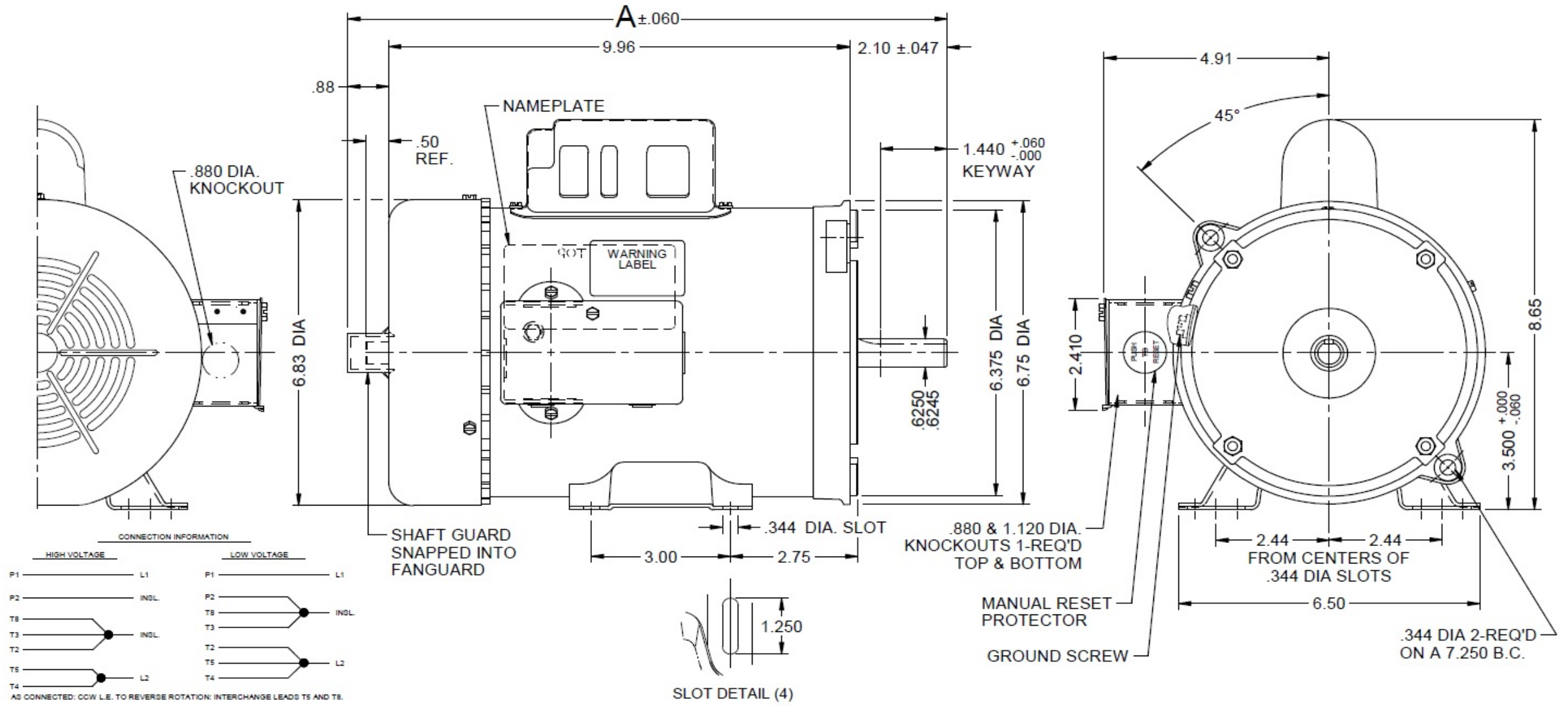
Dimensional Drawing



4K997BG

REV.
-

VAR	MODEL	CUST. PT. NO.	A	B	C	D	HP	VOLTS	SF	AMPS	HZ	RPM	CONN VOLTS	PROT.	DESCRIPTION / REMARKS
001	C63BXGJL-1316	4K997BG	12.94	-----	-----	-----	1.0	115/230	1.15	12.8/6.4	60	1725	---	MANUAL	56Y, TEFC



DRAWING NO.	PAGE 1 of 1	REV.
	4K997BG	-

4K997BG

REV.

-

MOTOR PERFORMANCE

HP:	1.0							
Poles:	4							
No. of Speeds:	1							
Volts:	115/230	115	230					
HZ:	60	60	60					
Service Factor:	1.15							
Efficiency:	@ Rated Load	71.3	71.1					
Power Factor:	@ Rated Load	71.9	72.00					
Amps:	@ No Load							
	@ Rated Load	12.7	6.4					
	@ Service Factor	13.9	6.98					
	@ Locked Rotor	67.6	34.9					
RPM:	@ Rated Load	1742	1741					
Ambient (°C):	40							
Altitude (FASL):								
Torques:	Breakdown	116.9	116.5					
	Locked Rotor	161.7	144.4					
	Pull-Up	160.9	144.4					
	Rated Load	48.2	48.3					
	Service Factor	55.8	55.8					
Watts:	Rated Load	1046	1049					
KVA Code:	K	J	K					
Temperature Rise:	@ Rated Load	92	86					
	@ Service Factor	NA	NA					
Thermal Protector:	Trip Temp (°C)	149.6	161.2					
Winding Material:	Start (Auxiliary)	Cu	Cu					
	Run (Main)	Cu	Cu					
Capacitor(s):	Start (MFD / Volts)	594 mFd, 125V						
	No. of Start Capacitors							
	Run (MFD / Volts)	N/A						
	No. of Run Capacitors							

LOW SPEED PERFORMANCE DATA:

HP:								
Poles:								
Volts:								
HZ:								
Efficiency:	@ Rated Load							
Power Factor:	@ Rated Load							
Amps:	@ No Load							
	@ Rated Load							
	@ Service Factor							
	@ Locked Rotor							
Torques:	Bead Down							
	Locked Rotor							
	Pull-Up							
	Rated Load							
	Service Factor							
Watts:	@ Rated Load							
Temperature Rise:	@ Rated Load							
	@ Service Factor							

DRAWING NO. PAGE 1 of 1 REV.
4K997BG -

Performance Data



4K997BG REV.
-

Dayton Manufacturing Company

Motor Description

Model: C063GJL1316 4K997BG
 Motor ID: 1
 Poles: 4
 Volts: 115/230
 Frequency: 60
 HP: 1.0
 Speed: 1725
 Phase: 1
 Protector: CEJ51CB

Test Conditions

Test Type: Start Run Cap: 0
 Test Number: 20 Start Cap: 594 µFd
 Poles: 4 Environment: 20.8 Deg C 44 % RH 992 hPa
 Volts: 115 Tested: 10/21/2012 11:48:54 AM
 Hz: 60 Tested By: Sharp, Gerald
 Rotation: Gear Ratio: 1:1
 Special Cond: Bearing Friction: -0.64 Oz-Ft
 Speed Conn: Windage Torque: -2.56 Oz-Ft
 TestBoard: Amtps Performance Fixture #1

Comments: aux inside of the motor for this 3line start test.

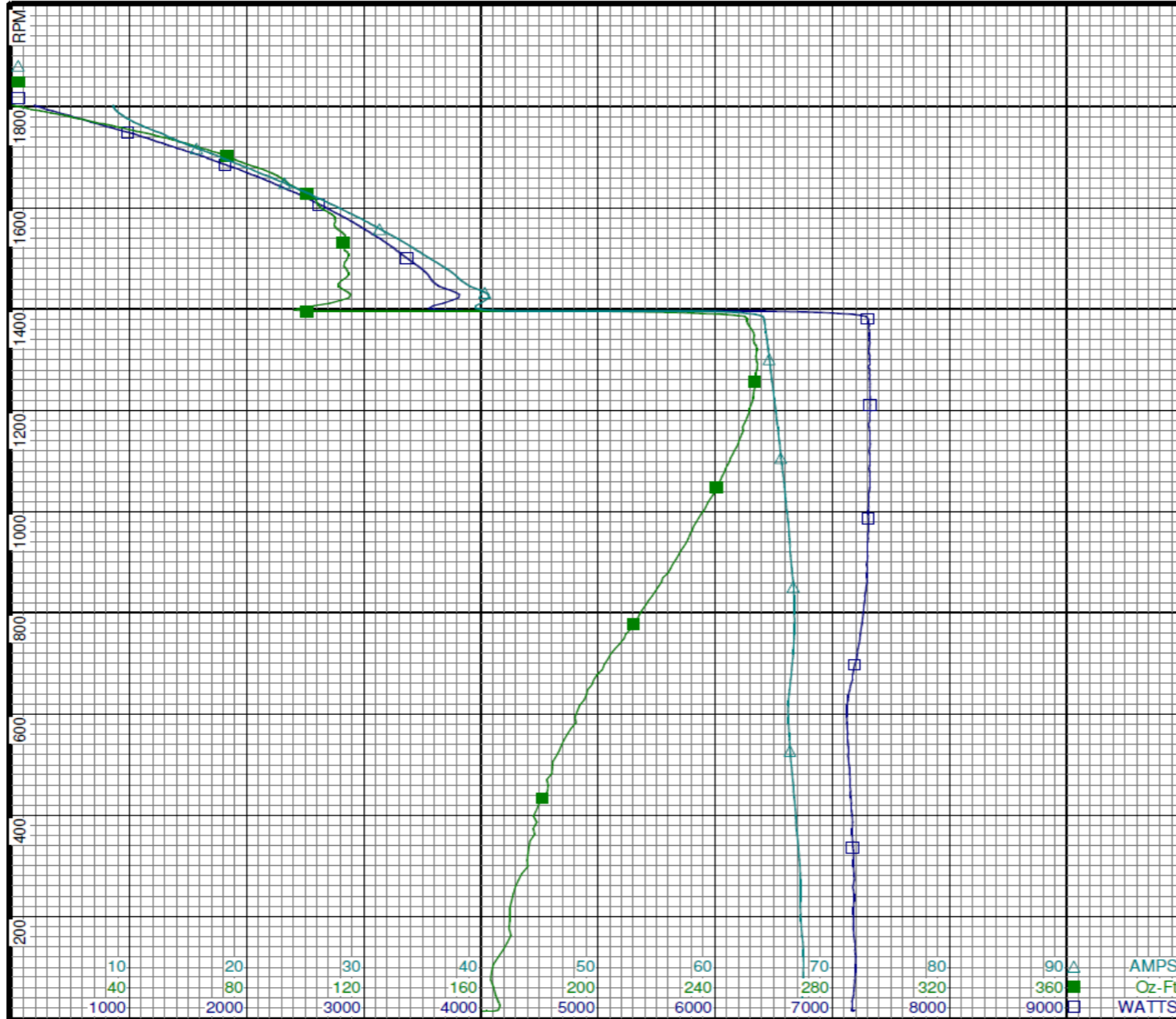
Special Points	Vline (V)	Vaux (V)	Vcap (V)	Iline (A)	Imain (A)	Iaux (A)	Watts	RPM	Tq(Oz-ft)	HP	Eff(%)	PF(%)	Cap
PUT OZ-FT	115.0	88.7	133.6	67.55	61.81	28.49	7184	13	161.7	0.026	0.3	92.5	565.6
	115.0	88.4	133.5	67.52	61.81	28.48	7177	12	160.9	0.024	0.2	92.4	565.6
	115.0	89.3	133.4	67.44	61.49	28.47	7186	59	164.3	0.116	1.2	92.6	566.2
	115.0	91.2	130.8	67.26	60.48	27.87	7178	217	169.8	0.438	4.6	92.8	565.2
	115.0	93.3	128.4	66.99	59.30	27.35	7167	362	178.3	0.768	8.0	93.0	565.2
	115.0	95.5	125.9	66.52	57.98	26.78	7145	493	184.3	1.083	11.3	93.4	564.1
	115.0	98.3	123.1	66.24	56.69	26.08	7121	617	193.7	1.422	14.9	93.5	561.8
	115.0	103.3	121.9	66.66	55.44	25.83	7217	728	205.7	1.784	18.4	94.1	562.0
	115.0	108.2	121.3	66.71	53.78	25.71	7276	833	218.4	2.166	22.2	94.8	562.2
	115.0	112.7	120.5	66.38	51.89	25.54	7300	929	229.1	2.535	25.9	95.6	561.9
	115.0	117.7	119.8	66.03	49.96	25.39	7310	1018	237.5	2.880	29.4	96.3	562.3
	115.0	122.9	119.3	65.64	47.99	25.32	7319	1099	244.8	3.202	32.6	97.0	562.8
	115.0	128.3	119.6	65.28	45.96	25.33	7309	1173	249.8	3.488	35.6	97.4	562.0
	115.0	134.4	120.0	64.95	44.02	25.51	7322	1239	253.2	3.735	38.1	98.0	563.7
	115.0	140.8	121.1	64.61	42.06	25.79	7315	1302	254.0	3.936	40.1	98.4	564.8
	115.0	147.5	122.9	64.32	40.20	26.22	7317	1357	252.8	4.083	41.6	98.9	565.8
	115.0	185.3	146.0	50.12	43.73	9.12	5056	1396	136.6	2.270	33.5	87.7	165.6
	115.0	177.1	138.3	39.92	39.54	0.34	3736	1437	113.3	1.939	38.7	81.4	6.6
	115.0	171.2	130.8	36.71	36.56	0.04	3462	1485	113.2	2.000	43.1	82.0	0.8
	115.0	166.9	124.9	33.72	33.60	0.02	3212	1528	112.8	2.051	47.6	82.8	0.4
	115.0	163.3	120.0	30.85	30.73	0.02	2957	1564	109.9	2.047	51.7	83.3	0.4
	115.0	160.4	115.8	27.95	27.84	0.01	2689	1599	105.6	2.009	55.7	83.7	0.3
	115.0	157.8	112.1	25.19	25.09	0.01	2421	1629	100.7	1.953	60.2	83.6	0.3
	115.0	155.7	109.1	22.48	22.46	0.01	2150	1656	92.4	1.822	63.2	83.2	0.3
	115.0	153.7	106.2	19.86	19.84	0.01	1873	1681	82.9	1.659	66.1	82.0	0.3
	115.0	152.1	103.8	17.32	17.31	0.01	1593	1704	72.5	1.471	68.9	80.0	0.3
	115.0	150.6	101.5	14.85	14.83	0.01	1303	1726	60.2	1.236	70.8	76.3	0.3
	115.0	149.3	99.5	12.73	12.72	0.01	1021	1747	46.0	0.957	69.9	69.8	0.3
	115.0	148.3	97.6	10.53	10.52	0.01	700	1767	29.1	0.612	65.3	57.8	0.3
	115.0	147.0	96.0	9.08	9.08	0.01	400	1787	13.2	0.280	52.2	38.3	0.3
	115.0	146.2	94.7	8.58	8.59	0.01	186	1803	0.2	0.003	1.3	18.9	0.3

DRAWING NO. PAGE 1 of 8 REV.
 4K997BG -

Performance Data



4K997BG REV.
-



Dayton

Curve Descriptions:
Motor(1) Test 20 Start 115V 60 Hz 4P

- SPEED vs WATTS
- SPEED vs TORQUE
- △ SPEED vs ILine

Motor Ratings:
(1) C063GJL1316 4K997BG

DRAWING NO. PAGE 2 of 8 REV.
4K997BG -

Dayton Electric Mfg. Co. Lake Forest, IL 60045 USA

Performance Data



4K997BG		REV.	Dayton Manufacturing Company						
Motor Description			Test Conditions						
Model:	C063GJL1316	4K997BG	Test Type:	Run	Run Cap:	0			
Motor ID:	1		Test Number:	10	Start Cap:	594 µFd			
Poles:	4		Poles:	4	Environment:	20.8 Deg C 44 % RH 992 hPa			
Volts:	115/230		Volts:	115	Tested:	10/21/2012 11:47:14 AM			
Frequency:	60		Hz:	60	Tested By:	Sharp, Gerald			
HP:	1.0		Rotation:		Gear Ratio:	1:1			
Speed:	1725		Special Cond:		Bearing Friction:	-0.64 Oz-Ft			
Phase:	1		Speed Conn:		Windage Torque:	-2.72 Oz-Ft			
Protector:	CEJ51CB		TestBoard:	Amtps Performance	Fixture #1				
Special Points	Vline(V)	Iline(A)	Watts	RPM	Tq(Oz-ft)	HP	Eff(%)	PF(%)	
	115.0	8.33	175	1793	0.00	0.000	0.0	18.2	
	115.0	9.20	502	1775	19.64	0.415	61.6	47.5	
	115.0	11.12	829	1757	37.22	0.779	70.1	64.8	
48.69 OZ-FT	115.0	12.77	1056	1742	48.69	1.009	71.3	71.9	
1 HP	115.0	12.70	1046	1742	48.22	1.000	71.3	71.6	
	115.0	13.29	1123	1737	51.75	1.070	71.1	73.5	
1.15 HP	115.0	13.92	1206	1731	55.80	1.150	71.1	75.3	
1725 RPM	115.0	14.66	1299	1725	60.52	1.243	71.4	77.0	
	115.0	15.65	1420	1717	65.67	1.342	70.5	78.9	
	115.0	18.23	1710	1695	78.24	1.579	68.9	81.6	
84 OZ-FT	115.0	19.63	1868	1683	84.00	1.683	67.2	82.7	
	115.0	20.91	2001	1672	88.39	1.759	65.6	83.2	
	115.0	23.60	2279	1648	97.39	1.911	62.5	84.0	
	115.0	26.36	2543	1621	104.28	2.012	59.0	83.9	
	115.0	29.11	2804	1591	110.91	2.101	55.9	83.8	
	115.0	31.83	3051	1560	113.05	2.099	51.3	83.4	
	115.0	34.50	3285	1525	114.64	2.081	47.3	82.8	
BDT OZ-FT	115.0	36.09	3416	1503	116.89	2.092	45.7	82.3	
	115.0	37.14	3501	1488	115.48	2.046	43.6	82.0	
	115.0	39.70	3701	1447	113.42	1.953	39.4	81.1	
	115.0	42.16	3881	1404	110.81	1.852	35.6	80.0	
	115.0	44.51	4045	1354	106.32	1.714	31.6	79.0	
	115.0	46.75	4188	1302	100.04	1.551	27.6	77.9	
	115.0	48.76	4300	1246	92.63	1.374	23.8	76.7	
	115.0	50.73	4404	1186	84.18	1.188	20.1	75.5	
	115.0	52.55	4495	1120	74.94	0.999	16.6	74.4	
	115.0	54.23	4569	1049	64.69	0.807	13.2	73.3	
	115.0	55.80	4622	972	53.02	0.613	9.9	72.0	
	115.0	57.15	4670	890	41.21	0.436	7.0	71.1	
	115.0	58.40	4688	801	27.52	0.262	4.2	69.8	
	115.0	59.31	4671	706	14.83	0.125	2.0	68.5	
	115.0	59.43	4612	607	15.75	0.114	1.8	67.5	
	115.0	59.30	4644	502	31.52	0.188	3.0	68.1	
	115.0	60.04	4729	387	25.80	0.119	1.9	68.5	
	115.0	60.69	4763	264	15.68	0.049	0.8	68.3	
	115.0	61.06	4774	132	3.80	0.006	0.1	68.0	

DRAWING NO.	PAGE 3 of 8	REV.
	4K997BG	-

Dayton Electric Mfg. Co. Lake Forest, IL 60045 USA

Performance Data



4K997BG

REV.

-



Curve Descriptions:

Motor(1) Test 10 Run 115V 60 Hz 4P

- SPEED vs WATTS
- SPEED vs TORQUE
- △ SPEED vs ILine

Motor Ratings:

(1) C063GJL1316 4K997BG

DRAWING NO.	PAGE 4 of 8	REV.
4K997BG		-

Dayton Electric Mfg. Co. Lake Forest, IL 60045 USA

Performance Data



4K997BG

REV.

-

Dayton Manufacturing Company

Motor Description

Model: C063GJL1316 4K997BG
 Motor ID: 1
 Poles: 4
 Volts: 115/230
 Frequency: 60
 HP: 1.0
 Speed: 1725
 Phase: 1
 Protector: CEJ51CB

Test Conditions

Test Type: Start
 Test Number: 22
 Poles: 4
 Volts: 230
 Hz: 60
 Rotation:
 Special Cond:
 Speed Conn:
 TestBoard: Amtps Performance Fixture #1
 Run Cap: 0
 Start Cap: 594 µFd
 Environment: 20.6 Deg C 43 % RH 993 hPa
 Tested: 10/21/2012 11:14:32 AM
 Tested By: Sharp, Gerald
 Gear Ratio: 1:1
 Bearing Friction: -0.48 Oz-Ft
 Windage Torque: -2.40 Oz-Ft

Comments: aux is inside this motor for this 3line start test

Special Points PUT OZ-FT	Vline (V)	Vaux (V)	Vcap (V)	Iline (A)	Imain (A)	Iaux (A)	Watts	RPM	Tq(Oz-ft)	HP	Eff (%)	PF (%)	Cap
	230.0	171.6	121.8	34.86	33.59	25.70	7124	12	144.4	0.021	0.2	88.9	559.6
	230.0	171.6	121.8	34.86	33.59	25.70	7124	12	144.4	0.021	0.2	88.9	559.6
	230.0	172.9	121.2	34.84	33.28	25.56	7138	59	151.9	0.106	1.1	89.1	559.5
	230.0	176.7	118.9	34.66	32.26	25.08	7113	216	155.9	0.400	4.2	89.2	559.5
	230.0	180.7	116.9	34.45	31.17	24.62	7101	360	162.4	0.696	7.3	89.6	558.6
	230.0	184.1	114.3	34.12	30.01	24.04	7049	493	168.2	0.987	10.4	89.8	557.9
	230.0	189.3	111.2	33.96	28.78	23.36	7038	615	175.8	1.286	13.6	90.1	557.2
	230.0	195.8	110.4	34.21	27.26	23.14	7130	728	187.0	1.622	17.0	90.6	555.8
	230.0	201.5	110.2	34.19	25.57	23.13	7215	832	199.5	1.976	20.4	91.8	556.6
	230.0	206.8	109.8	33.99	23.78	23.05	7241	929	209.8	2.319	23.9	92.6	556.7
	230.0	212.2	109.6	33.70	21.93	22.96	7243	1017	218.2	2.642	27.2	93.4	555.6
	230.0	217.8	109.4	33.41	20.00	22.95	7240	1098	225.6	2.949	30.4	94.2	556.7
	230.0	223.8	109.7	33.11	18.01	23.04	7243	1172	231.1	3.225	33.2	95.1	557.2
	230.0	230.0	110.5	32.80	15.95	23.22	7222	1240	234.5	3.460	35.7	95.7	557.5
	230.0	236.3	111.8	32.49	13.87	23.53	7216	1301	235.5	3.648	37.7	96.6	558.5
	230.0	242.7	113.5	32.19	11.76	23.96	7191	1357	233.7	3.774	39.1	97.1	560.1
	230.0	251.1	115.5	31.60	10.15	23.91	7072	1407	226.7	3.796	40.0	97.3	549.3
	230.0	255.2	119.9	19.81	19.67	-0.25	3676	1436	112.9	1.930	39.2	80.7	-5.4
	230.0	254.3	116.1	18.49	18.42	0.00	3470	1484	114.8	2.029	43.6	81.6	0.0
	230.0	253.2	113.3	17.00	16.95	0.01	3223	1528	114.7	2.086	48.3	82.4	0.2
	230.0	252.3	110.7	15.53	15.49	0.01	2967	1565	112.0	2.087	52.5	83.1	0.2
	230.0	251.5	108.6	14.11	14.07	0.01	2707	1598	106.8	2.032	56.0	83.4	0.2
	230.0	250.7	106.6	12.70	12.66	0.01	2435	1629	99.9	1.937	59.3	83.4	0.2
	230.0	249.9	104.8	11.27	11.26	0.01	2150	1656	93.4	1.841	63.9	82.9	0.2
	230.0	249.3	103.1	9.97	9.95	0.01	1875	1681	83.0	1.660	66.1	81.8	0.2
	230.0	248.7	101.3	8.67	8.65	0.01	1588	1704	72.7	1.476	69.3	79.7	0.2
	230.0	248.1	99.9	7.50	7.48	0.01	1312	1725	60.0	1.231	70.0	76.1	0.2
	230.0	247.5	98.4	6.27	6.26	0.01	1002	1748	45.3	0.943	70.2	69.4	0.2
	230.0	247.0	97.0	5.29	5.28	0.01	705	1768	30.3	0.638	67.5	58.0	0.3
	230.0	246.5	95.7	4.54	4.54	0.01	395	1788	12.9	0.275	52.0	37.7	0.2
	230.0	246.2	94.9	4.30	4.30	0.01	199	1801	1.1	0.023	8.6	20.2	0.2

DRAWING NO. PAGE 5 of 8 REV.
 4K997BG -

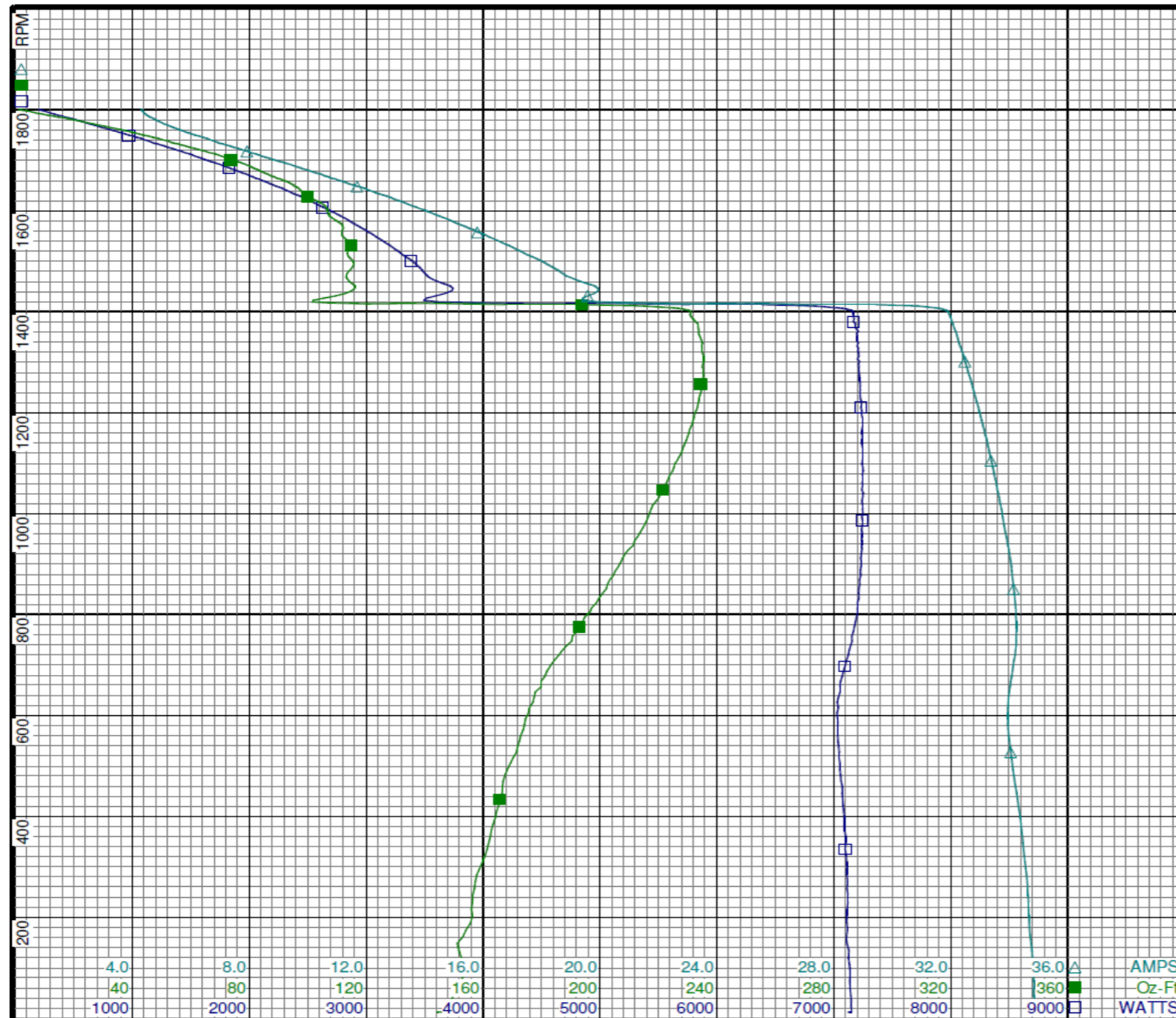
Performance Data



4K997BG

REV.

-



Curve Descriptions:

Motor(1) Test 22 Start 230V 60 Hz 4P

- SPEED vs WATTS
- SPEED vs TORQUE
- △ SPEED vs ILine

Motor Ratings:

(1) C063GJL1316 4K997BG

DRAWING NO.	PAGE 6 of 8	REV.
4K997BG		-

Dayton Electric Mfg. Co. Lake Forest, IL 60045 USA

Performance Data



4K997BG REV.
-

Dayton Manufacturing Company

Motor Description

Model: C063GJL1316 4K997BG
 Motor ID: 1
 Poles: 4
 Volts: 115/230
 Frequency: 60
 HP: 1.0
 Speed: 1725
 Phase: 1
 Protector: CEJ51CB

Test Conditions

Test Type: Run Run Cap: 0
 Test Number: 12 Start Cap: 594 µFd
 Poles: 4 Environment: 20.4 Deg C 42 % RH 993 hPa
 Volts: 230 Tested: 10/21/2012 8:48:50 AM
 Hz: 60 Tested By: Sharp, Gerald
 Rotation: Gear Ratio: 1:1
 Special Cond: Bearing Friction: -0.66 Oz-Ft
 Speed Conn: Windage Torque: -2.74 Oz-Ft
 TestBoard: Amtps Performance Fixture #1

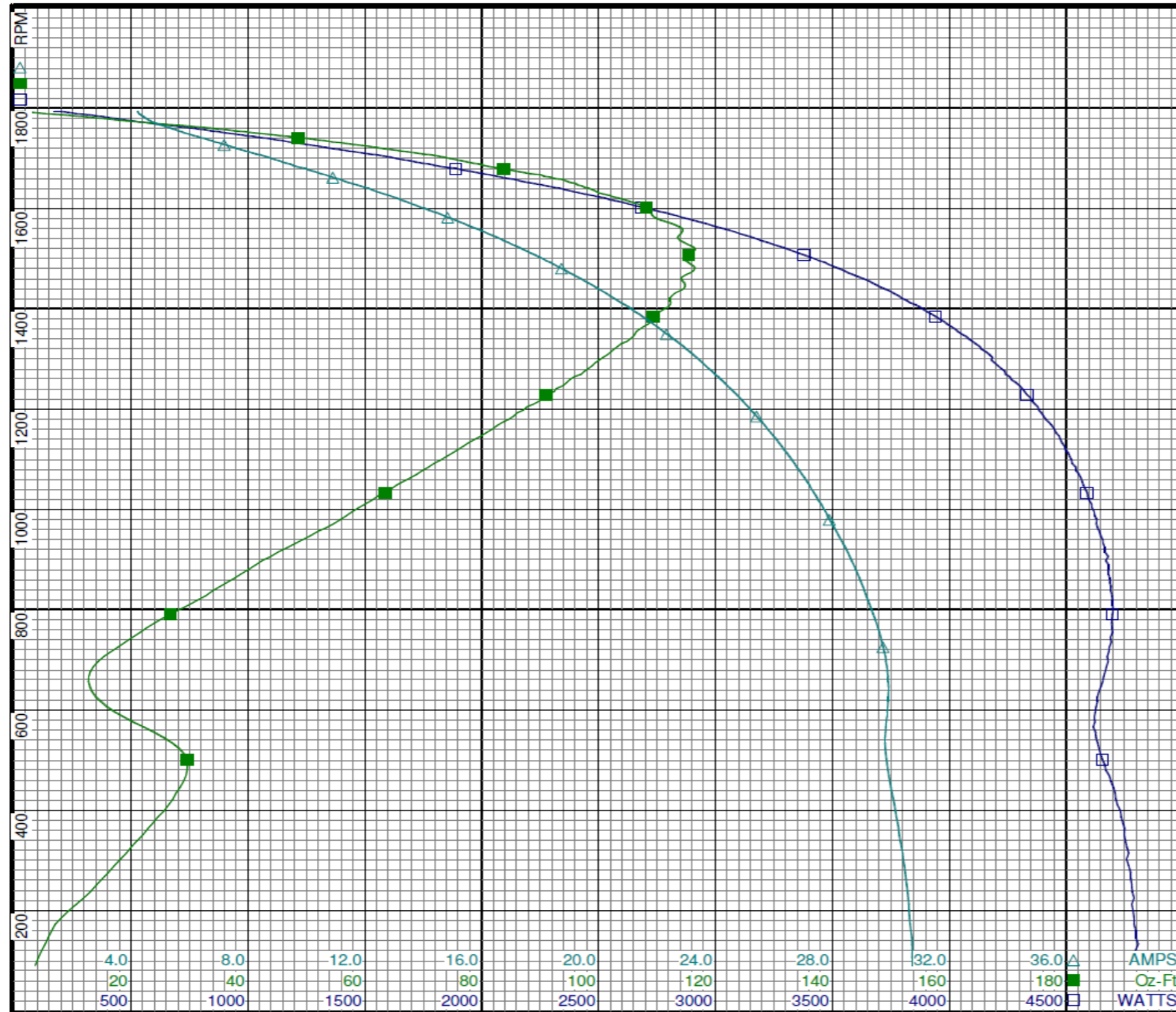
Special Points	Vline (V)	Iline (A)	Watts	RPM	Tq(Oz-ft)	HP	Eff (%)	PF (%)
	230.0	4.20	172	1793	0.00	0.000	0.0	17.8
	230.0	4.59	470	1777	17.37	0.367	58.3	44.6
	230.0	5.44	788	1758	34.89	0.730	69.1	63.0
1 HP	230.0	6.36	1049	1741	48.25	1.000	71.1	71.8
48.69 OZ-FT	230.0	6.39	1059	1740	48.69	1.009	71.1	72.0
	230.0	6.51	1086	1740	50.08	1.037	71.2	72.6
1.15 HP	230.0	6.98	1203	1731	55.81	1.150	71.3	74.9
1725 RPM	230.0	7.32	1285	1725	59.79	1.228	71.3	76.3
	230.0	7.64	1366	1719	63.33	1.296	70.8	77.8
	230.0	8.93	1663	1697	75.59	1.527	68.5	81.0
84 OZ-FT	230.0	9.98	1895	1679	84.00	1.679	66.1	82.5
	230.0	10.23	1948	1674	85.81	1.710	65.5	82.8
	230.0	11.56	2224	1650	96.09	1.887	63.3	83.7
	230.0	12.95	2499	1623	102.42	1.979	59.1	83.9
	230.0	14.32	2759	1594	108.90	2.066	55.9	83.8
	230.0	15.66	3007	1563	113.87	2.118	52.5	83.5
	230.0	17.02	3245	1528	115.17	2.095	48.2	82.9
BDT OZ-FT	230.0	17.42	3313	1518	116.52	2.105	47.4	82.7
	230.0	18.34	3467	1492	115.30	2.048	44.1	82.2
	230.0	19.65	3671	1451	114.68	1.981	40.3	81.2
	230.0	20.88	3854	1408	112.21	1.881	36.4	80.2
	230.0	22.10	4024	1360	107.10	1.733	32.1	79.2
	230.0	23.24	4173	1308	101.42	1.579	28.2	78.1
	230.0	24.30	4287	1252	94.48	1.408	24.5	76.7
	230.0	25.31	4394	1192	85.99	1.220	20.7	75.5
	230.0	26.26	4492	1126	76.85	1.030	17.1	74.4
	230.0	27.12	4568	1055	66.58	0.837	13.7	73.2
	230.0	27.90	4630	979	55.83	0.651	10.5	72.1
	230.0	28.65	4669	897	42.41	0.453	7.2	70.8
	230.0	29.27	4698	809	29.85	0.288	4.6	69.8
	230.0	29.77	4682	715	16.44	0.140	2.2	68.4
	230.0	29.90	4634	617	14.78	0.108	1.7	67.4
	230.0	29.82	4646	513	28.99	0.177	2.8	67.7
	230.0	30.16	4732	398	25.61	0.121	1.9	68.2
	230.0	30.49	4775	276	16.10	0.053	0.8	68.1
	230.0	30.71	4799	146	5.77	0.010	0.2	67.9

DRAWING NO. PAGE 7 of 8 REV.
 4K997BG -

Performance Data



4K997BG REV.
-



Curve Descriptions:
Motor(1) Test 12 Run 230V 60 Hz 4P

- SPEED vs WATTS
- SPEED vs TORQUE
- △ SPEED vs ILine

Motor Ratings:
(1) C063GJL1316 4K997BG

DRAWING NO. PAGE 8 of 8 REV.
4K997BG -

Dayton Electric Mfg. Co. Lake Forest, IL 60045 USA

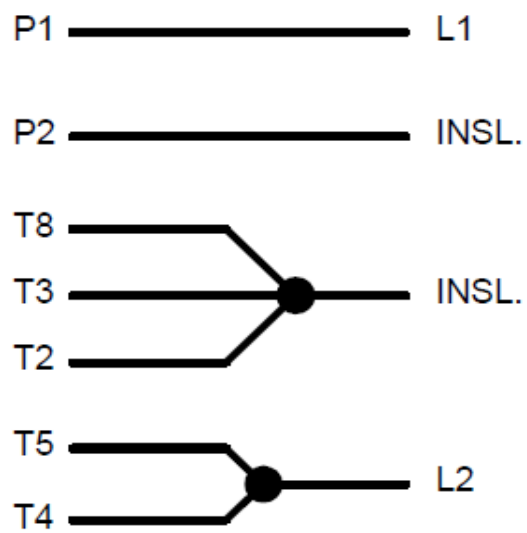
©2019 W.W. Grainger, Inc. This design may not be reproduced, modified or redistributed without written permission from W.W. Grainger, Inc.

4K997BG

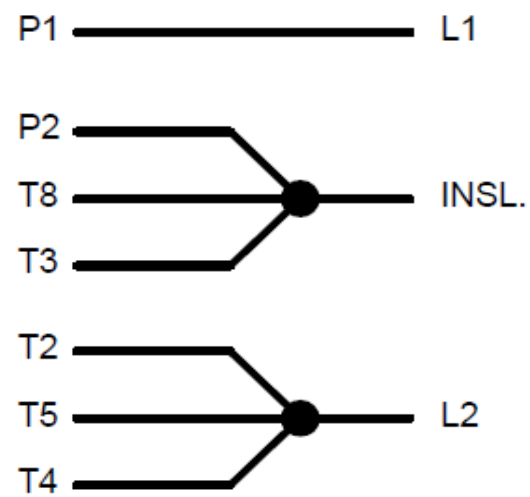
REV.
0

CONNECTION INFORMATION

HIGH VOLTAGE



LOW VOLTAGE



ROTATION: CCW L.E.
TO REVERSE ROTATION: INTERCHANGE
LEADS T5 AND T8

DRAWING NO.	PAGE 1 of 1	REV.
4K997BG		0

Dayton[®]**AUGER DRIVE MOTOR**

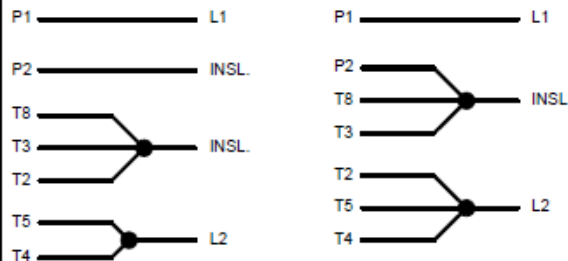
HP: 1.0
VOLTS: 115/230
AMPS: 12.8/6.4
RPM: 1725
DUTY: CONT
SF: 1.15
KVA CODE: K
ENCL: TEFC

Part No 4K997BG

[BAR CODE]

PH: 1
HZ: 60
FR: 56Y
INS CL: B
AMB: 40 °C
SFA: 13.8/6.9

Disconnect Power Before Making Any
Electrical Connections or Changes

CONNECTION INFORMATIONHIGH VOLTAGELOW VOLTAGE**THERMALLY PROTECTED: MANUAL**

MFG. NO. [] [] PROT. CODE: [01020]

AVG. F.L.
EFF.

MTR REF: C63BXGJL-1316



E37403



258501

ROTATION: CCW L.E.
TO REVERSE ROTATION: INTERCHANGE
LEADS T5 AND T8

Mfd for Dayton Electric Mfg. Co., Lake Forest, IL 60045 USA

[Made in Mexico]