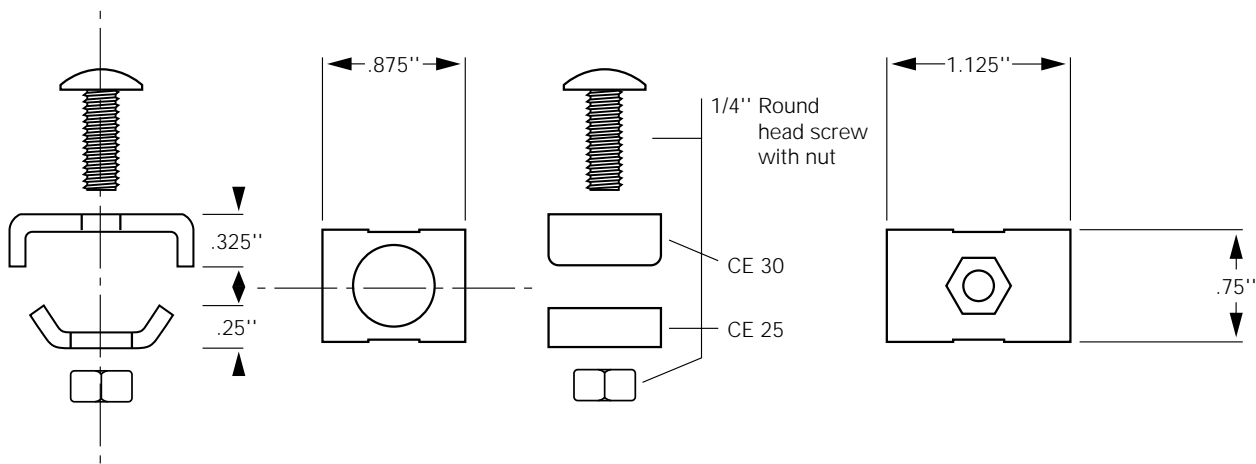
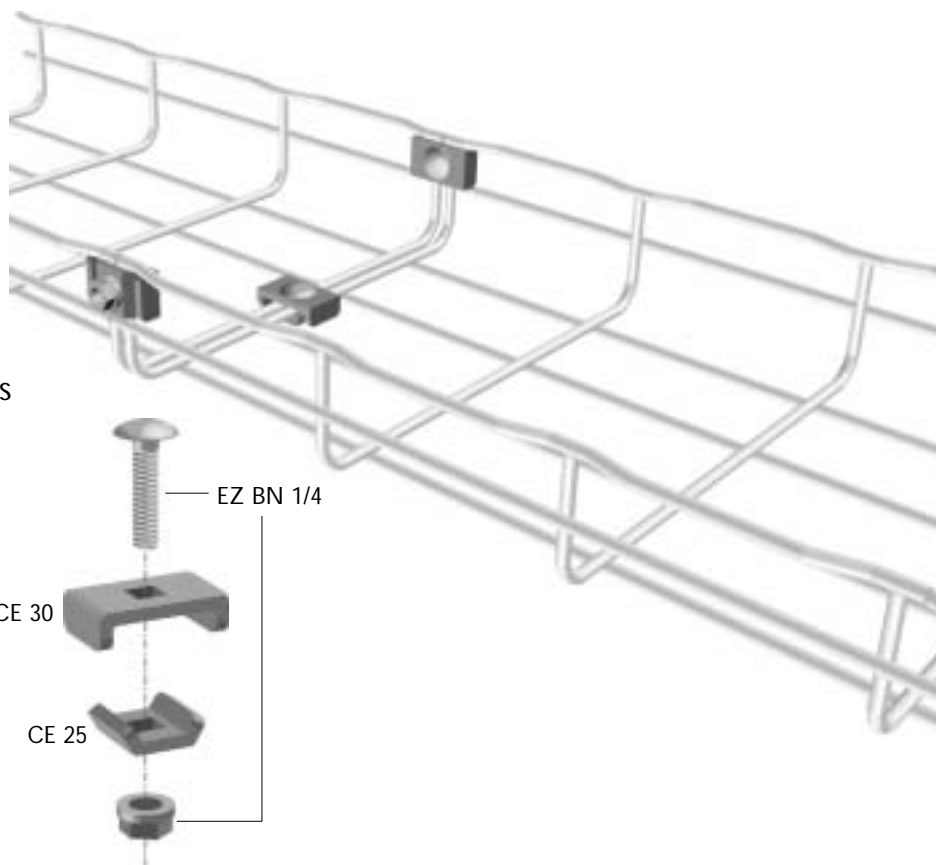


- Splices any two sections of EZ Tray.
- Use the correct number of Nut/Bolt/Clamp sets for each tray width.
 2"-6" Tray - Use 2 Sets
 8"-12" Tray - Use 3 Sets
 16"-24" Tray - Use 4 Sets
- Use for bolting turns, bends and tees.



Part #	Description	lb.	Pk. qty.
EZ BN 1/4	1/4" Round Screws With Flange Nuts	1	50
CE 25 EZB	1" Square Splice Washer	1	50
CE 30 EZB	1 1/2" Square Splice Washer	1.7	50



tel 618-566-3230
 800-658-4641
 fax 618-566-3250
 www.cablofil.com