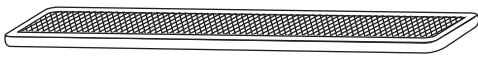


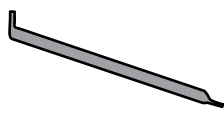


SKU: 4HUT3A

Name: Picnic Bench

Expanded Metal, with Backrest, Green Color

Backrest and Seat = A 	Right Leg = B 	Left Leg = C 	
2pcs	1pc	1pc	V-Link 2pcs
L -- Dia. 5/16" x L. 1 3/8" Hex Cap Screw and 5/16" Hex Nut One set S -- Dia. 5/16" x L. 1" Hex Cap Screw and 5/16" Hex Nut Ten sets			

