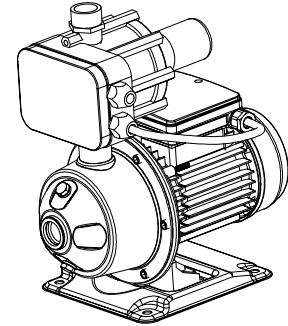


Please read and save these instructions. Read carefully before attempting to assemble, install, operate or maintain the product described. Protect yourself and others by observing all safety information. Failure to comply with instructions could result in personal injury and/or property damage! Retain instructions for future reference.

Dayton® Automatic Booster Pump

Description

Dayton Automatic Booster pumps (models: 4HFA6C, 4HFA7C and 4HFA8C) are tankless pump systems that boost water pressure in a home water system. The pumps have a stainless steel body and thermoplastic impellers for a durable, corrosion resistant pump, 5.5 feet SJTW cable with 3-prong plug included. The two-stage impeller design increases performance while the control panel shows the pump status.



Unpacking and Inspection

Handle with care. Check items received against packing list to be sure that all equipment has been received. Inspect for shipping damage. If found, file claim with carrier immediately.

General Safety Information

IMPORTANT SAFETY INSTRUCTIONS

Always follow basic safety precautions with this equipment, including the following:

⚠ WARNING *To reduce the risk of injury, do not permit children to use this product unless they are closely supervised at all times.*

⚠ WARNING *DO NOT use this pump with an inlet pressure greater than 50 PSI.*

NOTE: A booster pump increases pressure but does NOT noticeably increase flow. Pressure will increase most at restricted flow rates, and increase least at high flow rates. Boost in a typical household will average 25-35 psi. Maximum flow through the pump is 26 gallons per minute. Minimum flow is 2 gallons per minute. Water temperature range: 35F-95F

SAVE THESE INSTRUCTIONS

READ AND FOLLOW SAFETY INSTRUCTIONS!

⚠ This is the safety alert symbol. When you see this symbol on your system or in this manual, look for one of the following signal words and be alert to the potential for personal injury.



Listed 247091

Specifications

Model	Motor							NPT Inlet Outlet (In.)	Material			No of Stage (F)
	(HP)	Volt.	Hz	Ph.	Amps	RPM	Encl.		Housing	Impeller	Diffuser	
4HFA6C	1/2	115	60	1	4.9	3450	TEFC	1	SS*	RTP*	RTP*	2
4HFA7C	3/4	115	60	1	6.1	3450	TEFC	1	SS	RTP	RTP	2
4HFA8C	1	115	60	1	7.7	3450	TEFC	1	SS	RTP	RTP	2

(* Note: SS: Stainless steel; RTP: Reinforced Thermoplastic. Water temperature range: 35F-95F

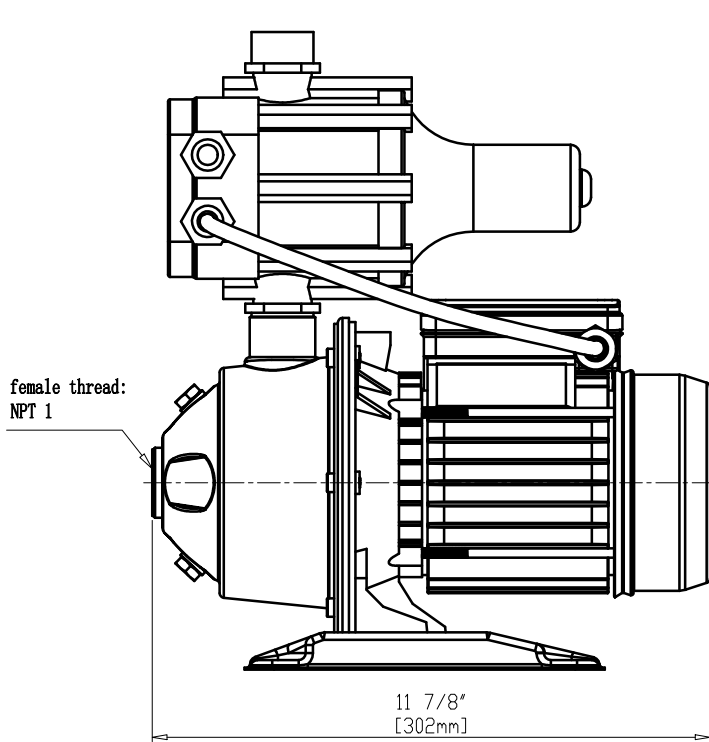
Performance Chart

Model	HP	GPM of Water @ PSI					Max Pressure PSI
		15	20	25	30	35	
4HFA6C	1/2	13.4	10.8	7.7	2.9	-	32.8
4HFA7C	3/4	15	12.7	10.5	7.4	1.8	36.7
4HFA8C	1	18.5	16.5	14.4	12.0	9.1	45.3

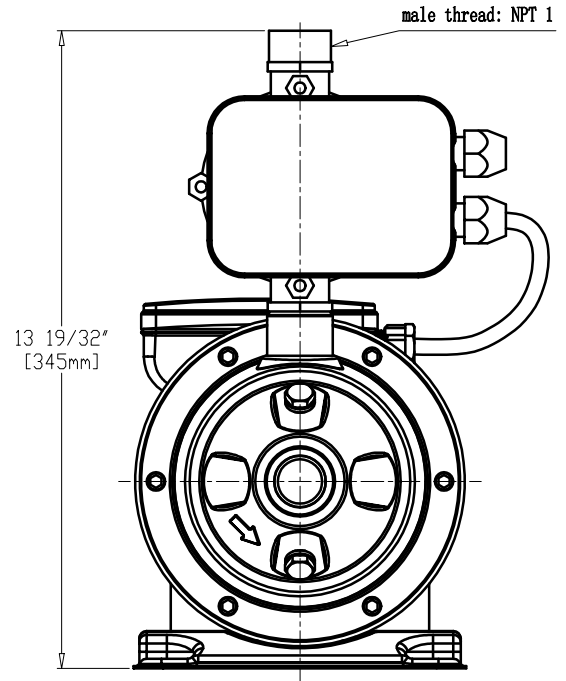
Dayton® Automatic Booster Pump

Figure 0-Dimensions: 4HFA6C, 4HFA7C, 4HFA8C Unit: Inch

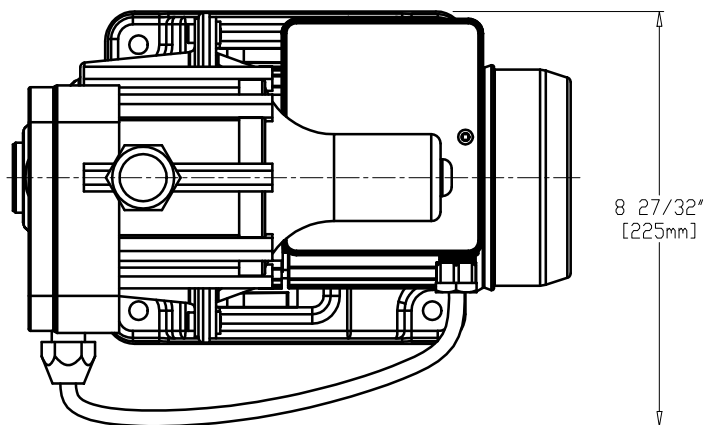
E
N
G
L
I
S
H



Side View



Front View



Top View

Models 4HFA6C , 4HFA7C and 4HFA8C

▲ DANGER Warns about hazards that **WILL** cause death, serious personal injury, or major property damage if ignored.

▲ WARNING Warns about hazards that **COULD** cause death, serious personal injury, or major property damage if ignored.

▲ CAUTION Warns about hazards that **MAY** cause minor personal injury or property damage if ignored.

NOTE: Indicates special instructions not related to hazards.

Carefully read and follow all safety instructions in this manual and on equipment. Keep safety labels in good condition; replace if missing or damaged.

To avoid risk of serious bodily injury and property damage, read the safety instructions carefully before installing this pump.

Follow local and/or national plumbing, building and electrical codes when installing the pump. Use rigid pipe when installing this pump.

General Safety Information (Continued)

▲ WARNING **Hazardous Pressure.** The pump body may explode if used to boost pressure above 100 psi (689 kPa). Do not use this pump with inlet pressure greater than 50 psi (345 kPa). If not already in the plumbing system, install a pressure relief valve in the pump discharge line capable of passing the full pump flow at 100 psi (689 kPa). If local code requires installation of a pressure relief valve capable of handling the full pump flow at a pressure less than 100 psi (689 kPa), follow the code requirements.

A low pressure safety cutoff switch is recommended to shut off power to the pump in case of low discharge pressure due to interruption of the incoming water supply, broken pipe, etc.

Never run the pump dry. To do so can damage internal parts, overheat pump (which can cause burns to people handling or servicing pump), and will void warranty.

▲ WARNING Risk of fire or explosion. To avoid risk of fire and explosion, Pump Water Only with this pump. Do not pump flammable liquids or chemicals. Do not use the pump near gas pilot lights or where chemical or gas fumes are present. Use of an electric pump with liquids other than water or in an atmosphere containing chemical or gas fumes may ignite those liquids or gases and cause injury or death due to an explosion and/or fire.

▲ WARNING Burn Hazard. If water is trapped in the pump during operation it may turn to steam. Trapped steam can lead to an explosion and burns. Never run the pump with the outlet closed or obstructed.

▲ CAUTION Do not touch an operating motor. Modern motors can operate at high temperatures. To avoid burns when servicing the pump, allow it to cool for 20 minutes after shut-down before handling.

▲ CAUTION These pumps are designed for clean water applications only. They cannot be used for pumping dirty water or water with solid impurities greater than 1/25" (1mm) in diameter.

Electrical Safety

▲ WARNING The pump is supplied with a 3-conductor grounding type cord. Connect only to a properly grounded, GFCI protected outlet. Do not lift the pump by the electrical cord.

▲ WARNING Hazardous voltage. Can shock, burn or cause death. Ground the pump before connecting to a power supply. Disconnect the power before working on the pump, motor or tank.

▲ WARNING The pump and controller are nonsubmersible. Keep the motor dry at all times. Do not wash the motor. Do not immerse. Protect the motor from wet weather.

▲ WARNING If using an extension cord, use only an approved indoor/outdoor, 3-wire, grounding type cord. Do not allow any part of the cord or the receptacle ends to sit in water or in damp locations.

▲ WARNING Unplug the pump before servicing. To avoid fatal shock, proceed as follows if the pump needs servicing:

Disconnect the power to the pump outlet box before unplugging the pump. After the plug is pulled, let the pump cool for 20 minutes before attempting to work on it.

Take extreme care when changing fuses. To reduce the chance of fatal electrical shock, DO NOT stand in water or put your finger in the fuse socket.

Ground the electrical outlet box.

Plug the pump and the controller into a Ground Fault Circuit Interrupter (GFCI) protected grounded outlet only.

Installation

Pump only clean water with your Dayton Booster Pump. To avoid clogging the pump and damaging the shaft seal, do not pump water containing solids, foreign material, sand, silt, or abrasives.

If you are boosting the pressure from a well pump, be sure that the system check valves are tight. If the system pressure drops when the well pump is not running, the pump may start and cycle. Excessive or rapid cycling may damage the motor and will void the warranty.

Do not use pipe joint compound on pump ports; use only PTFE tape to seal the threads. Pipe joint compound will damage the controller materials.

NOTE: The priming plug has an O-ring already installed and does not require sealing.

Dayton® Automatic Booster Pump

Installation (Continued)

Tighten all the piping joints to the pump hand tight plus 1½ turns (not more).

Overtightening may break the pump and will void the warranty.

Pipe and fittings to the pump should be at least nominal 1" diameter. Pipe or fittings less than 1" in diameter will reduce performance and may damage the pump through cavitation.

The pump mount should be level, solid, as near as possible to the water source, and protected against excess moisture and flooding.

Use the shortest possible run for piping and the smallest possible number of fittings. Long pipe runs and numerous fittings increase friction and reduce the flow of water.

Support the weight of the piping and pump.

Do not allow the pump, pressure controller, or any system components to freeze. Freezing will damage the pump and void the warranty.

Periodically inspect the pump, pressure controller, and system components.

NOTE: Local code may require a pressure relief valve or pressure regulator.

CAUTION *Risk of leaks and flooding. Do not use this pump with inlet pressure greater than 50 psi (345 kPa).*

WARNING *Pressure hazard and risk of explosion. This pump can develop high pressure when operated with the discharge shut off or obstructed. For safe operation, we recommend the following:*

If not already in the plumbing system, install a pressure relief valve in the pump discharge line capable of passing the full pump flow at 100 psi (689 kPa) (See Figure 2, page 5). If local code requires installation of a pressure relief valve capable of handling the full pump

flow at a pressure less than 100 psi (689 kPa), follow the code requirements. Run the relief valve discharge to a floor drain or other drain that will give adequate runoff.

CAUTION *Risk of flooding. Be sure that all plumbing and fittings are rated to withstand the system pressure which you expect the pump to generate.*

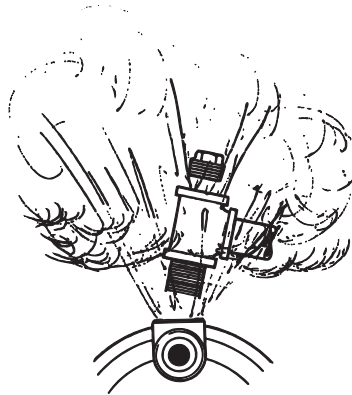


Figure 1 – Do Not Run the Pump With Inlet Shut Off

DANGER *Hazardous pressure. If using a garden hose as a discharge line, never use the pump with the hose outlet or nozzle closed. The hose or nozzle may burst from too much pressure.*

1. Decide where's the best place to install the pump. Think about these things:

- it must be near the main water supply line
- the pump must be accessible
- the power cord must reach a power outlet
- the controller's LED lights must be visible
- ease of plumbing
- space saving

NOTE: Installation of a low pressure safety cutoff switch on the pump discharge is recommended (and may be required by your local code) to shut off the power in case of low discharge pressure (caused by broken pipe, etc.).

2. Mount the pump on a solid base in the location you have decided on.
3. Choose a time that will allow you to shut off the water to the household while you install the pump.
4. Shutoff the main water supply valve to the household.
5. Open any faucet to relieve water pressure in the plumbing. Once the water pressure is relieved, close the faucet.

6. READ THIS STEP (STEP 6) COMPLETELY BEFORE PROCEEDING. You must remove a length of pipe from the main water supply line to allow installation of pipe for the pump. The locations of the cuts must take into consideration the size of the pipe being used, the length of the threads in threaded joints or the overlap in glued or soldered joints, etc. Position the pipes in line with the pump suction and discharge threads. There may be slight water leakage while cutting the pipe. Remove any burrs or shavings caused by the cutting tool.

NOTE: Galvanized pipe may not need to be cut. If there is a union close to the pump location, disassemble the union and remove (unscrew) pipe back past the pump location. Have new lengths of pipe cut and threaded to allow for the pump installation.

NOTE: Both female suction and male discharge ports have 1" NPT threads. Depending on your type of connection and the size of your home's piping, you may need to install adapters on the ports.

7. Once the short piece of pipe is removed, the piping above the cut can be drained to prevent water leakage. Place a pail or bucket under the pipe opening to the household. Open a faucet at the highest level in the plumbing system to allow water in system to drain completely. Once the system is drained, close the faucet.

Models 4HFA6C , 4HFA7C and 4HFA8C

Installation (Continued)

8. Install the pipes in the main water supply line. See Figure 2.

⚠ WARNING *Risk of burst hose and flooding. Do not install with flexible hoses. Use only rigid piping that meets code.*

9. Before continuing with the installation, see the sections of this manual titled "Electrical Connections", "Automatic Pressure Controller", "Normal Operation", and "When Does The Pump Stop Operating" for detailed information on how the system functions.

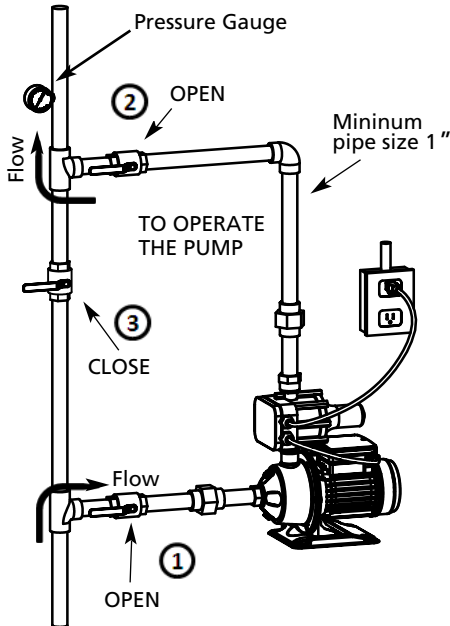


Figure 2 – Typical household booster installation.

10. To use this pump for pressure boosting, read the above instruction carefully, then connect the pump to your water supply as the picture (Figure 2)

11. Use appropriate union(not shown) to connect pipes for connection later

12. If the incoming pressure is higher than 20 psi(138 kPa), install a pressure reducer(not shown) between ball valve 1 and the pump, setted to 20 psi(138 kPa). This will prevent an excess of pressure on the house distribution piping.

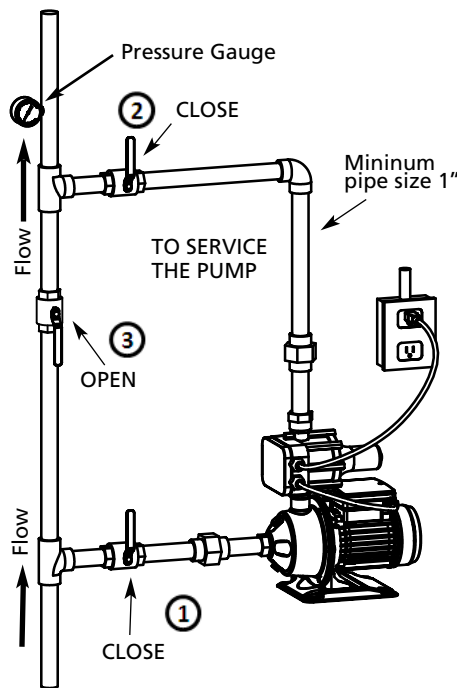


Figure 3 – DO NOT try to turn the Automatic Pressure Controller. It is aligned at the factory and twisting it will break the glue joint and cause a leak

13. Install a pressure gauge as per the pictures as above(Figure 3), to monitor the pressure in piping

14. Set the ball valves as picture(Figure 2) Open the nearest faucet and connect the pump to an electrical outlet

15. When all the air will be removed from the piping, close the faucet.The pump will stop after 7 to 10 seconds. Then, it will turn on when a faucet is open

16. When the pump is running and after it shuts off automatically, the system is at the boosted pressures. Inspect the pipe and fittings again for water leaks. If any leaks appear, unplug the pump, turn the water main valve off, open a faucet to relieve the pressure and repair the leak. Repeat this step until there are no leaks in the system.

⚠ WARNING *In a booster pump the incoming pressure must never be higher than 20 to 25PSI.*

ENGLISH

Dayton® Automatic Booster Pump

Installation (Continued)

ELECTRICAL CONNECTION

⚠ WARNING *Hazardous voltage. Risk of dangerous or fatal electric shock. Plug the pump into a 115 Volt, 60 Cycle, Ground Fault Circuit Interrupter (GFCI) protected grounded outlet only. The pump is equipped with a 3-wire grounded cord and plug. Do not modify or remove the plug. Make sure the outlet meets the National Electric Code or the Canadian Electrical Code, as applicable. To avoid dangerous electrical shock hazard, keep the cord dry at all times. See Figure 2, page 5.*

AUTOMATIC PRESSURE CONTROLLER

(See Figure 4)

The Automatic Pressure Controller mounts on the pump. It protects against:

- Run-dry operation;
- Overheating;
- Frequent starts caused by small water losses in the system;
- Pressure drop.

The Automatic Pressure Controller features the following LEDs and controls:

“POWER ON” LED: indicates that the unit is electrically connected and that voltage is present. The pump is ready to operate.

“PUMP ON” LED: indicates that the pump is running and actually pumping water.

“FAILURE” LED: indicates that no water is detected coming into the pump.

“Restart” button: resets any safeties which have tripped and allows the pump to restart.

NOTE: The unit will not respond if the “Restart” button is held down. It must be pressed and released to activate the reset function.

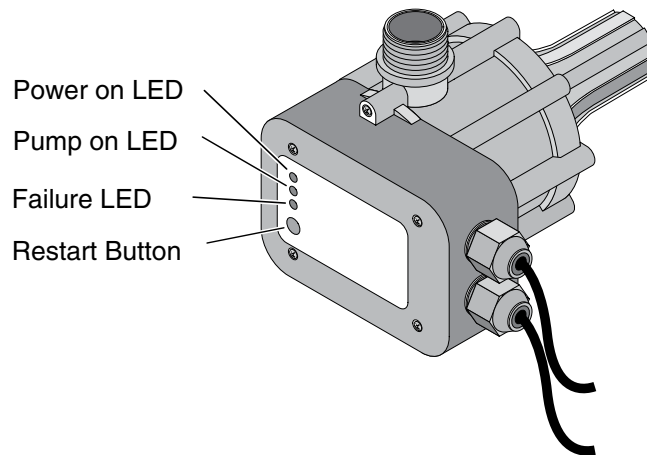


Figure 4 – Control Panel

Models 4HFA6C , 4HFA7C and 4HFA8C

Operation

NORMAL OPERATION OF THE PUMP

CAUTION *Burn Hazard. NEVER run the pump dry. Running the pump without water may cause pump to overheat and cause burns to persons handling the pump. It may also damage the impeller and may damage the seal, causing leaking or flooding, and will void the warranty. Fill the pump with water before starting it.*

Make sure that the pump has been properly installed and primed (see pages 3-6), and that the inlet pipe is unobstructed and open.

Plug in the pump. The "POWER ON" and "PUMP ON" lights will come on indicating, respectively, that voltage is present and that the pump is ready to operate.

The pump will start and will continue to operate until several seconds after the system pressure has risen and flow has stopped.

WHEN DOES THE PUMP STOP OPERATING?

Pressure Set-Point/No Flow: The pump will stop operating and the "PUMP ON" LED will go off several seconds after:

- The system pressure is above the starting pressure and
- the flow has stopped. This is normal operation.

Restart: A water flow in the system greater than 1/4 GPM or a drop in pressure below the STARTING PRESSURE set-point will cause the pump to restart and the "PUMP ON" LED to light up. The pump will continue to operate until several seconds after:

- It reaches the set pressure, and
- The flow stops.

NOTE: The delay in shutting off the pump prevents rapid cycling when water faucets are being turned on and off quickly (for example, when brushing teeth, etc.).

Pressure Drop/No Flow: Normally, when the pump starts, it will very quickly generate pressure and sense flow. If there is no flow and the pressure does not rise, it senses a "no water" condition. It can also sense this during operation if the water supply to the pump fails. To protect the pump from running dry:

- Several seconds after it detects "no water", the pump will stop operating,
- The "PUMP ON" LED will go out, and
- The "FAILURE" LED will go on

Restart: Make sure that the suction line is not obstructed, and that it is connected to a water source.

- Press and hold the "Restart" button for 5 seconds
- The "PUMP ON" LED should light up, and
- The "FAILURE" LED should go off

If flow is adequate, the pump will operate until it reaches the set-point pressure and the flow stops.

ENGLISH

Chart A – Wiring and Fuse Sizes

Motor HP	Volts	Max. Load Amp	Branch Fuse Rating Wire Size		
			14	12	10
1/2	115	4.9	20A/15A	20A/15A	20A/15A
3/4	115	6.1	20A/15A	20A/15A	20A/15A
1	115	7.7	20A/15A	20A/15A	20A/15A

Dayton® Automatic Booster Pump

Maintenance

LUBRICATION

The motor is lubricated at the factory for the life of the bearings. The pump seal is water cooled and self lubricating.

PUMP SERVICE

⚠ WARNING *Hazardous voltage. Can shock, burn, or cause death. Unplug the pump and controller before servicing them. Do not handle the pump or controller or*

attempt to work on the pump with wet hands or while standing on a wet or damp floor.

The motor has an auto-reset thermal overload protector. If the motor overheats, the overload will cut off the power to prevent damage and will reset after the motor cools. If the overload trips repeatedly, check the pump for the cause (low voltage, a clogged impeller, etc.).

⚠ WARNING *Read and understand safety and operating instructions in the manual before doing any work on pump!*

⚠ WARNING *Only qualified personnel should electrically test pump motor!*

Troubleshooting Chart

Symptom	Possible Cause(s)	Corrective Action
Motor will not run	1. Fuse is blown or circuit breaker tripped	1. DISCONNECT POWER; Replace fuse or reset circuit breaker
	2. Power cord not plugged in	2. Plug into 115 Volt grounded outlet
Motor runs hot and overload kicks off or motor does not run and only hums	1. Voltage is too low	1. Check voltage being supplied to pump
	2. Impeller not moving freely	2. Check that impeller moves freely and is not clogged
Motor runs but no water is delivered*	1. Improper priming	1. Re-prime according to instructions
	2. Clogged water filter	2. Stop pump, shut off water, and change filter cartridge. Filter should be installed on discharge side of pump
	3. Discharge valve closed	3. Open valve
	4. Pipe size too small	4. Re-pipe using pipe of the same size as suction and discharge ports on pump
	5. Impeller is plugged	5. Clean impeller
	6. Pipes are frozen	6. Thaw pipes
Pump does not deliver water to full capacity	1. Corroded pipes	1. Replace with plastic or new steel pipes
	2. Piping is too small in size	2. Re-pipe using pipe the same size as suction and discharge ports on pump
	3. Pump not being supplied with enough water	3. Enlarge inlet pipe; check well pump system
	4. Low voltage	4. Make sure outlet is at 115 Volts

(* **NOTE:** Unplug pump; then open faucets and see if water is flowing through system.)

For Repair Parts, call 1-800-Grainger

24 hours a day – 365 days a year

Please provide following information:

- Model number
- Serial number (if any)
- Part description and number as shown in parts list

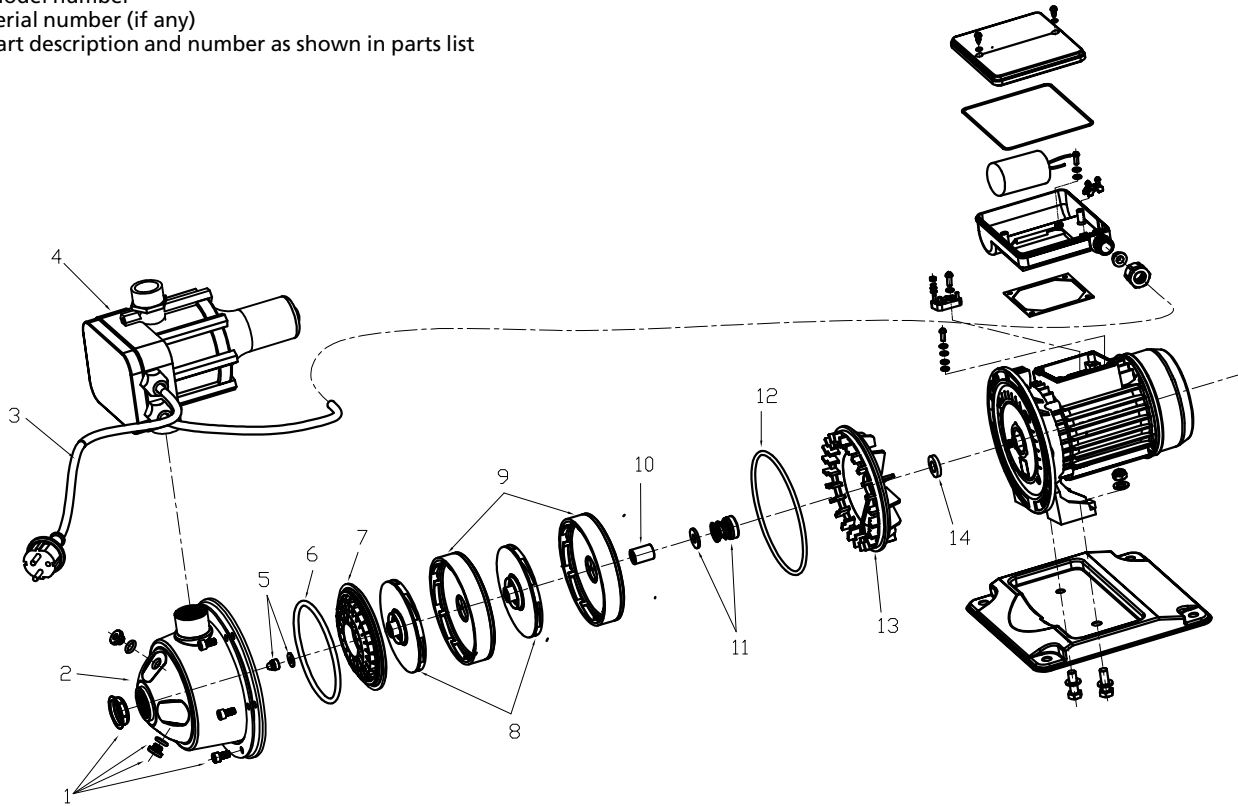


Figure 5 – Repair Parts Illustration for Automatic Booster Pump

Repair Parts List for Automatic Booster Pump

Reference Number	Description	Part Number for Models:			Qty.
		4HFA6C	4HFA7C	4HFA8C	
1	Hardware Kit for Pump Body	PP271730101014G	PP271730101014G	PP271730101014G	1
2	Pump Body	PP22053AM01G	PP22053AM01G	PP22053AM01G	1
3	Power Cable	PP170316Ax21002G	PP170316Ax21002G	PP170316Ax21002G	1
4	Pressure Switch Kit	PP5132007G	PP5132007G	PP5132007G	1
5	Shim and Nut Kit	PP5659008G	PP5659008G	PP5659008G	1
6	O-Ring	PP21101000002G	PP21101000002G	PP21101000002G	1
7	Front Seal Plate	PP27183AM0405G	PP27183AM0405G	PP27183AM0405G	1
8	Impeller	PP5541176G	–	–	1
8	Impeller	–	PP5541176G	–	1
8	Impeller	–	–	PP5541176G	1
9	Diffuser	PP5525065G	PP5525065G	PP5525065G	1
10	Spacer	PP5599008G	PP5599008G	PP5599008G	1
11	Mechanical Seal Kit	PP5621023G	PP5621023G	PP5621023G	1
12	O-Ring	PP21101246001G	PP21101246001G	PP21101246001G	1
13	Rear Seal Plate	PP5525024G	PP5525024G	PP5525024G	1
14	Water Slinger	PP5629108G	PP5629108G	PP5629108G	1
15	Pump Body Flange	PP26050B0901G	PP26050B0901G	PP26050B0901G	1

Dayton® Automatic Booster Pump

DAYTON ONE-YEAR LIMITED WARRANTY

DAYTON ONE-YEAR LIMITED WARRANTY. All Dayton® product models covered in this manual are warranted by Dayton Electric Mfg. Co. ("Dayton") to the original user against defects in workmanship or materials under normal use for one year after date of purchase. If the Dayton product is part of a set, only the portion that is defective is subject to this warranty. Any product or part which is determined to be defective in material or workmanship and returned to an authorized service location, as Dayton or Dayton's designee designates, shipping costs prepaid, will be, as the exclusive remedy, repaired or replaced with a new or reconditioned product or part of equal utility or a full refund given, at Dayton's or Dayton's designee's option, at no charge. For limited warranty claim procedures, see "Warranty Service" below. This warranty is void if there is evidence of misuse, mis-repair, mis-installation, abuse or alteration. This warranty does not cover normal wear and tear of Dayton products or portions of them, or products or portions of them which are consumable in normal use. This limited warranty gives purchasers specific legal rights, and you may also have other rights which vary from jurisdiction to jurisdiction.

WARRANTY DISCLAIMERS AND LIMITATIONS OF LIABILITY RELATING TO ALL CUSTOMERS FOR ALL PRODUCTS

LIMITATION OF LIABILITY. TO THE EXTENT ALLOWABLE UNDER APPLICABLE LAW, DAYTON'S LIABILITY FOR CONSEQUENTIAL AND INCIDENTAL DAMAGES IS EXPRESSLY DISCLAIMED. DAYTON'S LIABILITY IN ALL EVENTS IS LIMITED TO AND SHALL NOT EXCEED THE PURCHASE PRICE PAID.

WARRANTY DISCLAIMER. A DILIGENT EFFORT HAS BEEN MADE TO PROVIDE PRODUCT INFORMATION AND ILLUSTRATE THE PRODUCTS IN THIS LITERATURE ACCURATELY; HOWEVER, SUCH INFORMATION AND ILLUSTRATIONS ARE FOR THE SOLE PURPOSE OF IDENTIFICATION, AND DO NOT EXPRESS OR IMPLY A WARRANTY THAT THE PRODUCTS ARE MERCHANTABILITY, OR FIT FOR A PARTICULAR PURPOSE, OR THAT THE PRODUCTS WILL NECESSARILY CONFORM TO THE ILLUSTRATIONS OR DESCRIPTIONS. EXCEPT AS PROVIDED BELOW, NO WARRANTY OR AFFIRMATION OF FACT, EXPRESSED OR IMPLIED, OTHER THAN AS STATED IN THE "LIMITED WARRANTY" ABOVE IS MADE OR AUTHORIZED BY DAYTON.

PRODUCT SUITABILITY. MANY JURISDICTIONS HAVE CODES AND REGULATIONS GOVERNING SALES, CONSTRUCTION, INSTALLATION, AND/OR USE OF PRODUCTS FOR CERTAIN PURPOSES, WHICH MAY VARY FROM THOSE IN NEIGHBORING AREAS. WHILE ATTEMPTS ARE MADE TO ASSURE THAT DAYTON PRODUCTS COMPLY WITH SUCH CODES, DAYTON CANNOT GUARANTEE COMPLIANCE, AND CANNOT BE RESPONSIBLE FOR HOW THE PRODUCT IS INSTALLED OR USED. BEFORE PURCHASE AND USE OF A PRODUCT, REVIEW THE SAFETY/SPECIFICATIONS, AND ALL APPLICABLE NATIONAL AND LOCAL CODES AND REGULATIONS, AND BE SURE THAT THE PRODUCT, INSTALLATION, AND USE WILL COMPLY WITH THEM.

CONSUMERS ONLY. CERTAIN ASPECTS OF DISCLAIMERS ARE NOT APPLICABLE TO CONSUMER PRODUCTS SOLD TO CONSUMERS; (A) SOME JURISDICTIONS DO NOT ALLOW THE EXCLUSION OR LIMITATION OF INCIDENTAL OR CONSEQUENTIAL DAMAGES, SO THE ABOVE LIMITATION OR EXCLUSION MAY NOT APPLY TO YOU; (B) ALSO, SOME JURISDICTIONS DO NOT ALLOW A LIMITATION ON HOW LONG AN IMPLIED WARRANTY LASTS, SO THE ABOVE LIMITATION MAY NOT APPLY TO YOU; AND (C) BY LAW, DURING THE PERIOD OF THIS LIMITED WARRANTY, ANY IMPLIED WARRANTIES OF MERCHANTABILITY OR FITNESS FOR A PARTICULAR PURPOSE APPLICABLE TO CONSUMER PRODUCTS PURCHASED BY CONSUMERS, MAY NOT BE EXCLUDED OR OTHERWISE DISCLAIMED.

THIS LIMITED WARRANTY ONLY APPLIES TO UNITED STATES PURCHASERS FOR DELIVERY IN THE UNITED STATES.

WARRANTY SERVICE

To obtain warranty service if you purchased the covered product directly from W.W. Grainger, Inc. ("Grainger"), (i) write or call or visit the local Grainger branch from which the product was purchased or another Grainger branch near you (see www.grainger.com for a listing of Grainger branches); or (ii) contact Grainger by going to www.grainger.com and clicking on the "Contact Us" link at the top of the page, then clicking on the "Email us" link; or (iii) call Customer Care (toll free) at 1-888-361-8649. To obtain warranty service if you purchased the covered product from another distributor or retailer, (i) go to www.grainger.com for Warranty Service; (ii) write or call or visit a Grainger branch near you; or (iii) call Customer Care (toll free) at 1-888-361-8649. In any case, you will need to provide, to the extent available, the purchase date, the original invoice number, the stock number, a description of the defect, and anything else specified in this Dayton One-Year Limited Warranty. You may be required to send the product in for inspection at your cost. You can follow up on the progress of inspections and corrections in the same ways. Title and risk of loss pass to buyer on delivery to common carrier, so if product was damaged in transit to you, file claim with carrier, not retailer, Grainger or Dayton. For warranty information for purchasers and/or delivery outside the United States, please use the following applicable contact information:

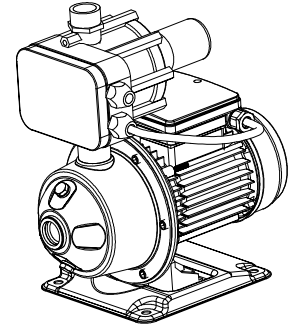
Dayton Electric Mfg. Co.,
100 Grainger Parkway, Lake Forest, IL 60045 U.S.A.
 or call **+1-888-361-8649**

Por favor lea y guarde estas instrucciones. Léelas cuidadosamente antes de tratar de montar, instalar, operar o dar mantenimiento to al producto aquí descrito. Protéjase usted mismo y a los demás observando toda la información de seguridad. ¡El no cumplir con las instrucciones puede ocasionar daños, tanto personales como a la propiedad! Guarde estas instrucciones para referencia en el futuro.

Bomba Automática de Refuerzo Dayton®

Descripción

Las bombas automáticas de refuerzo Dayton (modelos: 4HFA6C, 4HFA7C y 4HFA8C) son sistemas de bomba sin tanque que aumentan la presión del agua en un sistema de agua doméstico. Las bombas tienen un cuerpo de acero inoxidable e impulsores de latón para proporcionarles durabilidad y resistencia a la corrosión, 5,5 metros de cable SJTW con 3 puntas conector incluido. El diseño de impulsor de dos etapas aumenta su rendimiento mientras que el panel de control muestra el estado de la bomba.



Desempaque e Inspección

Maneje con cuidado. Verifique los artículos recibidos contra la lista de empaque para asegurarse que haya recibido todo el equipo. Inspeccione para comprobar que no hayan ocurrido daños durante el envío. Si algo está dañado, presente inmediatamente su reclamo a la compañía transportista.

Información de Seguridad General

IMPORTANTES NORMAS DE SEGURIDAD

Siempre observe las precauciones de seguridad básicas con este equipo, incluyendo lo siguiente:

⚠ ADVERTENCIA Para reducir el riesgo de lesión, no permita que los niños utilicen este producto a menos que cuenten con la supervisión de un adulto en todo momento.

⚠ ADVERTENCIA NO utilice esta bomba con una presión de entrada superior a 50 psi.

AVISO: La bomba de refuerzo aumenta la presión pero NO aumenta apreciablemente el caudal. El aumento de la presión será máximo a las tasas de caudal restringidas y mínimo a las tasas de caudal altas. El aumento medio en una casa típica será de 25 a 35 psi. El caudal máximo a través de la bomba es 98.4 litros por minuto. El caudal mínimo es 7.6 litros por minuto. Rango de temperatura de agua: 35F-95F



Listado 247091

E
S
P
A
Ñ
O
L

Especificaciones

Modelo	Motor							NPT Entrada Salida (pulg.)	Material			No de la Etapa
	(CF)	Volt.	Hz	Fa.	Amps	RPM	Reci.		Carcasa	Impulsor	Difusor	
4HFA6C	1/2	115	60	1	4.9	3450	TEFC	1	SS*	RTP*	RTP*	2
4HFA7C	3/4	115	60	1	6.1	3450	TEFC	1	SS	RTP	RTP	2
4HFA8C	1	115	60	1	7.7	3450	TEFC	1	SS	RTP	RTP	2

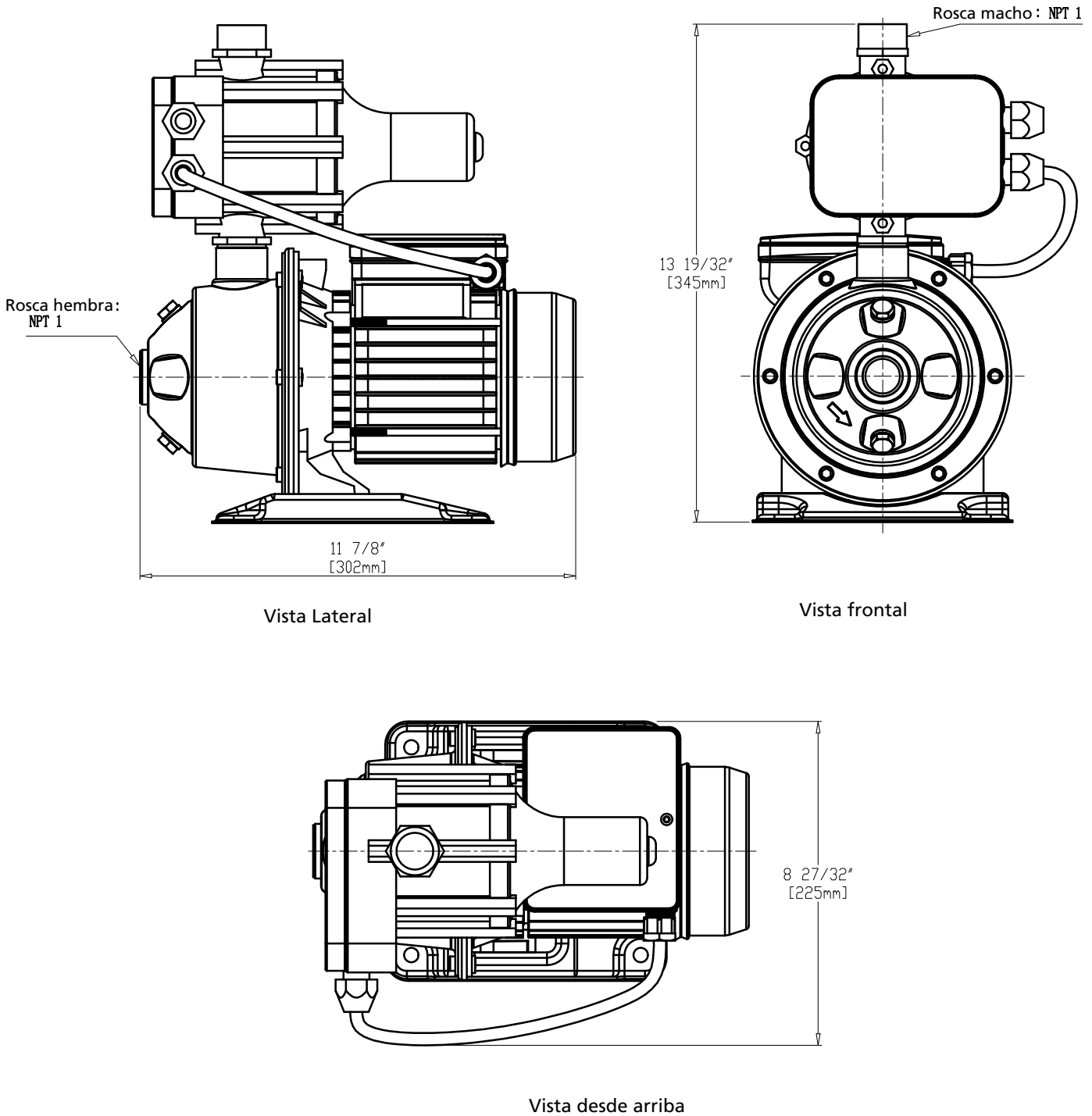
(*)Nota: SS: Acero inoxidable; RTP: termoplástico reforzado.
Rango de temperatura de agua: 35F-95F

Tabla de Rendimiento

Modelo	CF	LPM de agua en PSI					Presión máx. PSI
		15	20	25	30	35	
4HFA6C	1/2	13.4	10.8	7.7	2.9	—	32.8
4HFA7C	3/4	15	12.7	10.5	7.4	1.8	36.7
4HFA8C	1	18.5	16.5	14.4	12.0	9.1	45.3

Bomba Automática de Refuerzo Dayton®

Figura 0-Dimensiones: 4HFA6C, 4HFA7C, 4HFA8C Unidad: pulgadas



E
S
P
A
Ñ
O
L

Modelos 4HFA6C, 4HFA7C y 4HFA8C

Información de Seguridad General (Continuación)

CONSERVE ESTAS INSTRUCCIONES
¡LEA Y OBSERVE LAS NORMAS DE SEGURIDAD!

▲ *Éste es el símbolo de alerta sobre seguridad. Cuando vea este símbolo en su sistema o en este manual, busque una de las siguientes palabras clave y esté alerta a la posibilidad de sufrir u ocasionar lesiones personales.*

▲ PELIGRO *Advierte sobre peligros que causarán la muerte, lesiones personales graves o daños materiales considerables si no se les presta atención.*

▲ ADVERTENCIA *Advierte sobre peligros que pueden causar la muerte, lesiones personales graves o daños materiales considerables si no se les presta atención.*

▲ ATENCIÓN *Advierte sobre peligros que causarán o pueden causar lesiones personales o daños materiales menores si no se les presta atención.*

AVISO: Indica instrucciones especiales que no están relacionadas con peligros.

Lea y siga cuidadosamente todas las instrucciones de seguridad que aparecen en este manual y en el equipo. Mantenga en buena condición las etiquetas de seguridad; reemplácelas si faltan o están dañadas.

Para evitar el riesgo de lesiones corporales graves y daño a la propiedad, lea cuidadosamente las instrucciones de seguridad antes de instalar esta bomba.

Cumpla con los códigos eléctricos, de construcción y de plomería nacionales y/o locales cuando instale la bomba. Utilice tuberías rígidas cuando instale esta bomba.

▲ ADVERTENCIA *Presión peligrosa. El cuerpo de la bomba puede explotar si ésta se usa para aumentar la presión por encima de 100 psi (689 kPa). No utilice esta bomba con una presión de entrada superior a*

50 psi (345 kPa). Si aún no hay una instalada en el sistema de tuberías, instale una válvula de seguridad en la línea de descarga de la bomba que sea capaz de pasar el caudal total de la bomba a 100 psi (689 kPa). Si el código local requiere la instalación de una válvula de seguridad, capaz de pasar el caudal total de la bomba a una presión inferior a 100 psi (689 kPa), cumpla con los requisitos del código.

Se recomienda instalar un interruptor de corte de seguridad por baja presión para apagar la bomba en caso de una presión de descarga baja debido a la interrupción del suministro de agua entrante, una tubería rota, etc.

Nunca haga funcionar la bomba en seco. Esto puede dañar las partes internas, sobrecalentar la bomba (lo cual puede ocasionar quemaduras en las personas que estén trabajando con la bomba o dándole mantenimiento) y anulará la garantía.

▲ ADVERTENCIA *Riesgo de incendio o explosión. Para evitar el riesgo de incendio y explosión, Bombee Agua Solamente con esta bomba. No bombee líquidos ni sustancias químicas inflamables. No use la bomba cerca de luces piloto de gas o donde haya vapores químicos o de gases presentes. El uso de una bomba eléctrica con líquidos que no sean agua o en una atmósfera que contenga vapores químicos o de gases, podría inflamar esos líquidos o gases y causar lesiones o la muerte debido a una explosión y/o un incendio.*

▲ ADVERTENCIA *Peligro de quemaduras. Es posible que el agua se pueda convertir en vapor si queda atrapada en la bomba durante el funcionamiento de la misma. El vapor atrapado puede conducir a una explosión y a quemaduras. Nunca haga funcionar la bomba con la salida cerrada u obstruida.*

▲ ATENCIÓN *No toque un motor que esté funcionando. Los motores modernos pueden funcionar a temperaturas altas. Para evitar quemaduras cuando le dé servicio a la bomba, deje que ésta enfrie durante 20 minutos después de apagarla, antes de manipularla.*

▲ ATENCIÓN *Estas bombas son diseñado para la limpieza aplicaciones de agua solamente. No pueden se utiliza para bombear el agua sucia o agua con impurezas sólidas mayor de 1/25" (1 mm) de diámetro.*

Seguridad Eléctrica

▲ ADVERTENCIA *La bomba viene provista de un cordón de 3 conductores con conexión a tierra. Conecte la unidad sólo en un tomacorriente debidamente puesto a tierra y protegido con un GFCI (interruptor de circuito de fallo a tierra). No levante la bomba por el cordón de alimentación.*

▲ ADVERTENCIA *Voltaje peligroso. Puede causar choque eléctrico, quemaduras o la muerte. Conecte la bomba a tierra antes de conectarla al suministro eléctrico. Desconecte la alimentación antes de trabajar en la bomba, el motor o el tanque.*

▲ ADVERTENCIA *La bomba y el controlador no son sumergibles. Mantenga seco el motor en todo momento. No lave el motor. No lo sumerja. Proteja el motor contra los climas húmedos.*

▲ ADVERTENCIA *Si usa un cordón de extensión, utilice únicamente un cordón de 3 conductores de tipo de puesta a tierra para exteriores e interiores aprobado. No permita que ninguna parte del cordón o los extremos del receptáculo estén expuestos al agua o a lugares húmedos.*

▲ ADVERTENCIA *Desenchufe la bomba antes de repararla o darle mantenimiento. Para evitar las descargas eléctricas fatales, proceda en la forma siguiente si la bomba necesita mantenimiento o reparación:*

Desconecte la alimentación para el tomacorriente de la bomba antes de desenchufar la bomba. Después de retirar el enchufe, deje que la bomba enfrie durante 20 minutos antes de intentar trabajar en ella.

Bomba Automática de Refuerzo Dayton®

Seguridad Eléctrica (Continuación)

Tenga mucho cuidado cuando cambie los fusibles. Para reducir la posibilidad de un choque eléctrico fatal, NO se pare sobre el agua ni ponga sus dedos en el portafusible.

Conecte a tierra el tomacorriente.

Enchufe la bomba y el controlador sólo en un tomacorriente conectado a tierra y protegido con un interruptor de circuito de fallo a tierra (GFCI).

Instalación

Bombear solamente agua limpia con su Bomba de refuerzo Dayton. Para evitar obstruir la bomba y dañar el sello del eje, no bombee agua que contenga partículas sólidas, materiales extraños, arena, limo o sustancias abrasivas.

Si está aumentando la presión de una bomba de pozo, asegúrese que las válvulas de retención del sistema estén bien apretadas. Si la presión del sistema desciende cuando la bomba de pozo no está funcionando, la bomba podría arrancar y ciclar. El ciclaje excesivo o rápido podría dañar el motor y anulará la garantía.

No use un compuesto para juntas de tuberías en los orificios de la bomba; utilice solamente cinta de PTFE para sellar las rosas. El compuesto para juntas de tuberías dañará los materiales del controlador.

AVISO: El tapón de cebado ya tiene un anillo O instalado y no es necesario sellarlo.

Apriete con la mano todas las uniones de tubería en la bomba más 1½ vueltas (pero no más).

Si aprieta demasiado, podría romper la bomba y se anulará la garantía.

Las tuberías y los accesorios para la bomba deberán ser por lo menos de 2.54 cm (1 pulg.) de diámetro nominal. Las tuberías o los accesorios con un diámetro inferior a 2.54 cm reducirán el rendimiento y podrían dañar la bomba debido a la cavitación.

El montaje de la bomba deberá ser nivelado, sólido, tan cerca de la fuente de agua como sea posible, y protegido contra todo exceso de humedad y contra inundaciones.

Use la longitud más corta posible de tubería y la menor cantidad posible de accesorios. Las largas longitudes de tubería y los numerosos conectores crean fricción y reducen el caudal.

Soporte el peso de la tubería y de la bomba.

No permita que la bomba, el controlador de presión o los componentes del sistema se congelen. El congelamiento dañará la bomba y anulará la garantía.

Inspeccione periódicamente la bomba, el controlador de presión y los componentes del sistema.

AVISO: El código local podría requerir el uso de una válvula de seguridad o un regulador de presión.

⚠ ATENCIÓN *Riesgo de fugas y de inundación. No utilice esta bomba con una presión de entrada superior a 50 psi (345 kPa).*

⚠ ADVERTENCIA *Peligro de presión y riesgo de explosión. Esta bomba puede desarrollar una presión alta cuando se hace funcionar la misma con la descarga cerrada u obstruida. Para una operación segura, recomendamos lo siguiente:*

Si aún no hay una instalada en el sistema de tuberías, instale una válvula de seguridad en la línea de descarga de la bomba que sea capaz de pasar el caudal total de la bomba a 100 psi (689 kPa) (véase la Figura 2 en la página 5). Si el código local requiere la instalación de una válvula de seguridad, capaz de pasar el caudal total de la bomba a una presión inferior a 100 psi (689 kPa), cumpla con los requisitos del código. Deje que la descarga de la válvula de seguridad vaya hacia un desagüe en el piso o a otro desagüe que permita una eliminación adecuada.

⚠ ATENCIÓN *Riesgo de inundación. Asegúrese que todas las tuberías y accesorios tengan la capacidad para soportar la presión del sistema que se espera que genere la bomba.*

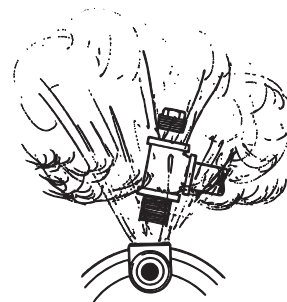


Figura 1 – No Haga Funcionar la Bomba con la Entrada Cerrada

⚠ ADVERTENCIA *Presión peligrosa. Si se usa una manguera de jardín como una línea de descarga, no utilice nunca la bomba con la salida de la manguera o la boquilla cerrada. La manguera o la boquilla puede explotar desde muy mucha presión.*

1. Decida cuál es el mejor lugar para instalar la bomba. Tenga en cuenta lo siguiente:

- debe estar cerca de la línea principal de suministro de agua
- la bomba debe ser accesible
- el cordón de alimentación debe llegar hasta un tomacorriente
- las luces LED del controlador deben ser visibles
- facilidad de plomería
- ahorro de espacio

AVISO: Se recomienda (y es posible que su código local así lo requiera) instalar un interruptor de corte de seguridad por baja presión en la descarga de la bomba para desconectar la alimentación y apagar la bomba en caso de una presión de descarga baja (causada por una tubería rota, etc.).

2. Monte la bomba en una base sólida en el lugar que haya decidido.
3. Escoja un momento en el que pueda cerrar el suministro de agua a la casa mientras instala la bomba.

Bomba Automática de Refuerzo Dayton®

Instalación (Continuación)

13. Instalar un medidor de presión de acuerdo con las imágenes como anteriormente (Figura 3), a monitorizar la presión en las tuberías
14. Establecer la imagen como válvulas de bola (Figura 2) Abrir el grifo más anteriormente (Figura 3), a monitorizar la presión en las tuberías
15. Cuando se eliminará todo el aire de la tubería, cierre la bomba faucet. The se detendrá después de 7 a 10 segundos. Entonces, se encenderá cuando un grifo está abierto
16. Cuando la bomba funcione y después que se apague automáticamente, el sistema estará a las presiones reforzadas. Inspeccione nuevamente la tubería y los accesorios para ver si hay fugas de agua. Si aparecen fugas, desenchufe la bomba, cierre la válvula principal de agua, abra un grifo para descargar la presión y repare la fuga. Repita este paso hasta que ya no haya fugas en el sistema.

⚠ ADVERTENCIA *En una bomba de refuerzo el entrante la presión no debe ser mayor que 20 a 25 psi*

CONEXION ELECTRICA

⚠ ADVERTENCIA *Voltaje peligroso. Riesgo de choque eléctrico peligroso o fatal. Enchufe la bomba solamente en un tomacorriente de 115 voltios, 60 ciclos, conectado a tierra y protegido con un interruptor de circuito de fallo a tierra (GFCI). La bomba está equipada con un cordón de alimentación trifilar y un enchufe conectados a tierra. No modifique ni retire el enchufe. Asegúrese que el tomacorriente cumpla con el Código Eléctrico Nacional o el Código Eléctrico Canadiense, según corresponda. Para evitar el peligro de choques eléctricos peligrosos, mantenga el cordón seco en todo momento. Véase la Figura 2 en la página 4.*

CONTROLADOR AUTOMATICO DE PRESION

(Véase la Figura 5 en la página 6)

El Controlador Automático de Presión se monta en la bomba y la protege contra:

- Funcionamiento en seco;
- Sobrecalentamiento;
- Arranques frecuentes causados por pérdidas pequeñas de agua en el sistema;
- Caída de presión.

El Controlador Automático de Presión incluye los diodos emisores de luz (LED) y los controles siguientes:

LED de potencia "POWER ON": indica que la unidad está conectada eléctricamente y hay presencia de voltaje. La bomba está lista para funcionar.

LED de bomba encendida "PUMP ON": indica que la bomba está funcionando y está bombeando agua.

LED de fallo de agua "FAILURE": indica que no se detecta agua entrando en la bomba.

LED de fallo de temperatura

Botón de reposición "Reset": repone todos los medios de seguridad que se hayan disparado y permite que la bomba se vuelva a encender.

AVISO: La unidad no responderá si se mantiene oprimido el botón de reposición "RESET". Se debe oprimir y soltar para activar la función de reposición.

Modelos 4HFA6C, 4HFA7C y 4HFA8C

Instalación (Continuación)

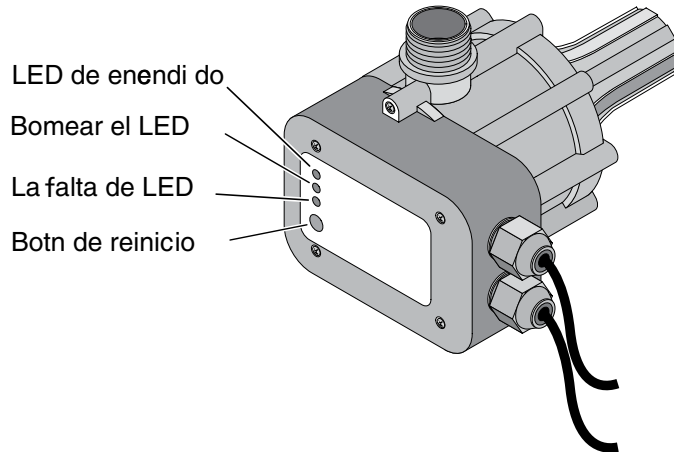


Figura 4 – Panel de Control

Operación

FUNCIONAMIENTO NORMAL DE LA BOMBA

⚠ ATENCIÓN *Peligro de quemaduras. NUNCA haga funcionar la bomba en seco. El hacer funcionar la bomba sin agua podría hacer que la bomba se recaliente y les cause quemaduras a las personas que manipulan la bomba. También podría dañar el impulsor y podría dañar el sello, lo cual causaría fugas o inundación, y anulará la garantía. Llene la bomba con agua antes de encenderla.*

Asegúrese que se haya instalado y cebado correctamente la bomba (véanse las páginas 3 a 6), y que la tubería de entrada no esté obstruida y esté abierta.

Gire el cuadrante de presión de arranque "STARTING PRESSURE" a la presión mínima del sistema deseada. Enchufe la bomba. Las luces de potencia "POWER ON" y bomba encendida "PUMP ON" se encenderán, indicando respectivamente, que hay voltaje y que la bomba está lista para funcionar.

La bomba comenzará a funcionar y continuará funcionando hasta varios segundos después de que la presión del sistema haya subido a más allá del punto de presión preestablecido en el cuadrante de presión de arranque "STARTING PRESSURE" y el flujo se haya detenido.

¿CUANDO DEJA DE FUNCIONAR LA BOMBA?

Punto preestablecido de presión/Sin flujo: La bomba dejará de funcionar y el LED de bomba encendida "PUMP ON" se apagará varios segundos después de que:

- la presión del sistema es superior al punto preestablecido en el cuadrante de presión de arranque "STARTING PRESSURE", y
- el flujo se haya detenido. Éste es el funcionamiento normal.

Rearranque: Un flujo de agua en el sistema mayor de 3.8 LPM (1/4 GPM) o una caída en la presión por debajo del punto preestablecido de PRESIÓN DE ARRANQUE hará que la bomba vuelva a arrancar y se encienda el LED de "BOMBA ENCENDIDA". La bomba continuará funcionando hasta varios segundos después de que:

- haya alcanzado la presión preestablecida, y
- el flujo se haya detenido.

AVISO: El retardo de varios segundos para que se apague la bomba impide el ciclaje rápido cuando los grifos de agua se abren y cierran rápidamente (por ejemplo, cuando uno se lava los dientes, etc.).

Tabla A – Tamaños de Cables y Fusibles

CF Motor	Voltios	Amperaje de carga máx.	Capacidad de fusible de circuito ramal		
			Tamaño de cable		
			14	12	10
1/2	115	4.9	20A/15A	20A/15A	20A/15A
3/4	115	6.1	20A/15A	20A/15A	20A/15A
1	115	7.7	20A/15A	20A/15A	20A/15A

E
S
P
A
Ñ
O
L

Bomba Automática de Refuerzo Dayton®

Operación (Continuación)

Caída de presión/Sin flujo:

Normalmente, cuando la bomba arranca, genera rápidamente presión y detecta flujo. Si no hay flujo y la presión no sube, la bomba detecta una condición de "falta de agua". También puede detectar esto durante el funcionamiento si falla el suministro de agua a la bomba. Para proteger la bomba y evitar que ésta funcione en seco:

- Varios segundos después de haber detectado que "falta agua", la bomba dejará de funcionar,
- El LED de bomba encendida "PUMP ON" se apagará, y
- El LED de falta de agua "FAILURE" comenzará a parpadear.

Rearranque: Asegúrese que la línea de succión no esté obstruida y que esté conectada a una fuente de suministro de agua.

- Oprima y suelte el botón de reposición "RESET".
- El LED de bomba encendida "PUMP ON" deberá encenderse, y

- El LED de falta de agua "FAILURE" deberá dejar de parpadear.

Si el flujo es adecuado, la bomba funcionará hasta que alcance la presión del punto preestablecido y el flujo se detenga.

Mantenimiento

LUBRICACION

El motor se lubrica en la fábrica para garantizar la vida útil de los cojinetes. El sello de la bomba es enfriado por agua y es autolubricado.

SERVICIO DE LA BOMBA

⚠ ADVERTENCIA *Voltaje peligroso. Puede causar choque eléctrico, quemaduras o la muerte. Desenchufe la bomba y el controlador antes de repararlos o darles mantenimiento. No manipule la bomba ni el controlador ni intente trabajar en la bomba con las manos mojadas o mientras esté parado sobre un piso mojado o húmedo.*

El motor tiene un protector de sobrecarga térmica que se repone automáticamente. Si el motor se recalienta, el protector de sobrecarga cortará la alimentación para impedir que el motor se dañe y se repondrá después de que el motor se haya enfriado. Si el protector de sobrecarga se dispara repetidamente, revise la bomba para determinar la causa (voltaje bajo, un impulsor obstruido, etc.).

⚠ ADVERTENCIA *¡Lea y entienda las instrucciones de seguridad y operación descritas en el manual antes de realizar cualquier trabajo en la bomba!*

⚠ ADVERTENCIA *¡Sólo personal técnico profesional debe probar eléctricamente la bomba del motor!*

Modelos 4HFA6C, 4HFA7C y 4HFA8C

Tabla de Identificación de Problemas

Síntoma	Causa(s) Posible(s)	Medida Correctiva
El motor no funciona	<ol style="list-style-type: none"> 1. El fusible está quemado o se disparó el cortacircuito 2. El cordón de alimentación no está enchufado 	<ol style="list-style-type: none"> 1. DESCONECTE LA ALIMENTACION; reemplace el fusible o reponga el cortacircuito 2. Enchufe en un tomacorriente de 115 voltios conectado a tierra
El motor funciona demasiado caliente y el protector de sobrecarga se dispara o el motor no funciona y sólo zumba	<ol style="list-style-type: none"> 1. El voltaje es demasiado bajo 2. El impulsor no se mueve libremente 	<ol style="list-style-type: none"> 1. Verifique el voltaje de suministro a la bomba 2. Verifique que el impulsor se mueva libremente y no esté obstruido
El motor funciona pero la bomba no entrega agua*	<ol style="list-style-type: none"> 1. Cebado inadecuado 2. Filtro de agua obstruido 3. Válvula de descarga cerrada 4. Tamaño de tubería demasiado pequeño 5. El impulsor está obstruido 6. Las tuberías están congeladas 	<ol style="list-style-type: none"> 1. Vuelva a cebar de acuerdo con las instrucciones 2. Detenga la bomba, cierre el suministro de agua y cambie el cartucho de filtro. El filtro debe instalarse en el lado de descarga de la bomba 3. Abra la válvula 4. Vuelva a conectar las tuberías usando una tubería del mismo tamaño que los orificios de succión y descarga en la bomba 5. Limpie el impulsor 6. Descongele las tuberías
La bomba no descarga agua a toda su capacidad	<ol style="list-style-type: none"> 1. Tuberías corroídas 2. El tamaño de la tubería es demasiado pequeño 3. No se suministra suficiente agua a la bomba 4. Voltaje bajo 	<ol style="list-style-type: none"> 1. Reemplace con tuberías de plástico o tuberías nuevas de acero 2. Vuelva a conectar las tuberías usando una tubería del mismo tamaño que los orificios de succión y descarga en la bomba 3. Use una tubería de entrada más grande; revise el sistema de la bomba de pozo 4. Asegúrese que el tomacorriente esté a 115 voltios

(* **AVISO:** Desenchufe la bomba; luego abra los grifos y vea si el agua fluye a través del sistema.

**Para Obtener Partes de Reparación en México Llame al 001-800-527-2331
en EE.UU. Llame al 1-800-Grainger**

Servicio permanente – 24 horas al día al año

Por favor proporciónenos la siguiente información:

- Número de modelo
- Número de serie (si lo tiene)
- Descripción de la parte y número que le corresponde en la lista de partes

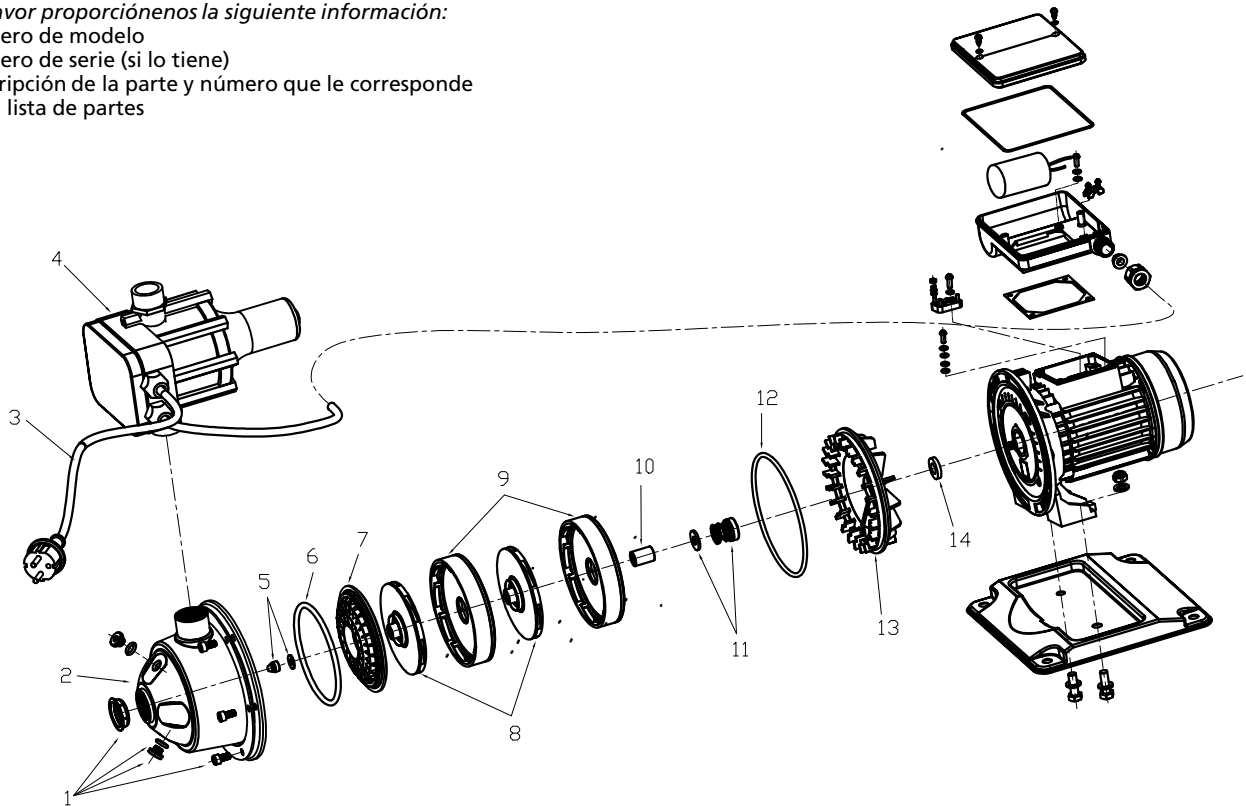


Figura 5 – Ilustración de las Partes de Reparación para la Bomba Automática de Refuerzo

Lista de Partes de Reparación para la Bomba Automática de Refuerzo

Número de Referencia	Descripción	Número de Parte para Modelos: 4HFA6C	4HFA7C	4HFA8C	Cantidad
1	Juego de herrajes para el cuerpo de la bomba	PP271730101014G	PP271730101014G	PP271730101014G	1
2	Cuerpo de la bomba	PP22053AM01G	PP22053AM01G	PP22053AM01G	1
3	Cable de alimentación eléctrica	PP170316Ax21002G	PP170316Ax21002G	PP170316Ax21002G	1
4	Juego de presostato	PP5132007G	PP5132007G	PP5132007G	1
5	Juego de calzos y tuercas	PP5659008G	PP5659008G	PP5659008G	1
6	Anillo O	PP21101000002G	PP21101000002G	PP21101000002G	1
7	Placa frontal Seal	PP27183AM0405G	PP27183AM0405G	PP27183AM0405G	1
8	Impulsor	PP5541176G	–	–	1
8	Impulsor	–	PP5541176G	–	1
8	Impulsor	–	–	PP5541176G	1
9	Difusor	PP5525065G	PP5525065G	PP5525065G	1
10	Spacer	PP5599008G	PP5599008G	PP5599008G	1
11	Sello mecánico	PP5621023G	PP5621023G	PP5621023G	1
12	Anillo O	PP21101246001G	PP21101246001G	PP21101246001G	1
13	Placa de sello trasero	PP5525024G	PP5525024G	PP5525024G	1
14	Deflector de agua	PP5629108G	PP5629108G	PP5629108G	1
15	Bomba de brida del cuerpo	PP26050B0901G	PP26050B0901G	PP26050B0901G	1

Bomba Automática de Refuerzo Dayton®

GARANTIA LIMITADA DE DAYTON POR UN AÑO

GARANTIA LIMITADA DE DAYTON POR UN AÑO. Dayton Electric Mfg. Co. ("Dayton") le garantiza al usuario original que todos los modelos de los productos Dayton® tratados en este manual están libres de defectos en la mano de obra o el material, cuando se les somete a uso normal, por un año a partir de la fecha de compra. Si el producto Dayton es parte de un juego, sólo la parte defectuosa está sujeta a esta garantía. Cualquier producto o parte que se halle defectuoso, ya sea en el material o en la mano de obra, y sea devuelto (con los costos de envío pagados por adelantado) a un centro de servicio autorizado designado por Dayton o por una entidad designada por Dayton, será reparado o reemplazado (no existe otra posibilidad) por un producto o parte nuevo o reacondicionado de igual uso o se le reembolsará el costo total, según lo determine Dayton o una entidad designada por Dayton, libre de costo. Para obtener información sobre los procedimientos de reclamo cubiertos en la garantía limitada, vea la sección "Servicio de Garantía" que aparece más adelante. Se anulará esta garantía si se detecta evidencia de mal uso, reparación defectuosa, instalación defectuosa, abuso o modificación. Esta garantía no cubre desgaste y ruptura normal de los productos Dayton o parte de los mismos, o productos o partes de los mismos que se pueden utilizar durante uso normal. Esta garantía limitada les otorga a los compradores derechos legales específicos y también puede usted tener otros derechos que varíen de jurisdicción a jurisdicción.

EXCLUSIÓN DE RESPONSABILIDAD DE LA GARANTIA Y LIMITES DE RESPONSABILIDAD RELACIONADOS A TODOS LOS CLIENTES PARA TODOS LOS PRODUCTOS

LIMITES DE RESPONSABILIDAD. EN LA MEDIDA EN QUE LAS LEYES APLICABLES LO PERMITAN, LA RESPONSABILIDAD DE DAYTON POR LOS DAÑOS EMERGENTES O INCIDENTALES ESTA EXPRESAMENTE EXCLUIDA. LA RESPONSABILIDAD DE DAYTON EXPRESAMENTE ESTA LIMITADA Y NO PUEDE EXCEDER EL PRECIO DE COMPRA PAGADO POR EL ARTICULO.

EXCLUSIÓN DE RESPONSABILIDAD DE LA GARANTIA. DAYTON SE HA ESFORZADO DILIGENTEMENTE PARA PROPORCIONAR INFORMACION E ILUSTRACIONES APROPIADAS SOBRE EL PRODUCTO EN ESTE MANUAL; SIN EMBARGO, ESTA INFORMACION Y LAS ILUSTRACIONES TIENEN COMO UNICO PROPOSITO LA IDENTIFICACION DEL PRODUCTO Y NO EXPRESAN NI IMPLICAN GARANTIA DE QUE LOS PRODUCTOS SEAN VENDIBLES O ADECUADOS PARA UN PROPOSITO EN PARTICULAR NI QUE SE AJUSTAN NECESARIAMENTE A LAS ILUSTRACIONES O DESCRIPCIONES. CON EXCEPCION DE LO QUE SE ESTABLECE A CONTINUACION, DAYTON NO HACE NI AUTORIZA NINGUNA GARANTIA O AFIRMACION DE HECHO, EXPRESA O IMPLICITA, QUE NO SEA ESTIPULADA EN LA "GARANTIA LIMITADA" ANTERIOR.

ADAPTACION DEL PRODUCTO. MUCHAS JURISDICCIONES TIENEN CODIGOS O REGULACIONES SOBRE LA VENTA, EL DISEÑO, LA INSTALACION Y/O EL USO DE PRODUCTOS PARA CIERTAS APLICACIONES; DICHAS LEYES PUEDEN VARIAR DE UN AREA A OTRA. SI BIEN SE TRATA DE QUE LOS PRODUCTOS DAYTON CUMPLAN CON DICHOS CODIGOS, NO SE PUEDE GARANTIZAR SU CONFORMIDAD Y NO SE PUEDE HACER RESPONSABLE POR LA FORMA EN QUE SE INSTALE O USE SU PRODUCTO. ANTES DE COMPRAR Y USAR EL PRODUCTO, REVISE LA INFORMACION DE SEGURIDAD/ESPECIFICACIONES, Y TODOS LOS CODIGOS Y REGULACIONES NACIONALES Y LOCALES APLICABLES, Y ASEGURESE QUE EL PRODUCTO, LA INSTALACION Y EL USO LOS CUMPLAN.

CONSUMIDOR SOLAMENTE. CIERTOS ASPECTOS DE LIMITE DE RESPONSABILIDAD NO SE APLICAN A PRODUCTOS AL CONSUMIDOR; ES DECIR (A) ALGUNAS JURISDICCIONES NO PERMITEN LA EXCLUSIÓN NI LIMITACIÓN DE DAÑOS INCIDENTALES O CONSECUENTES, DE MODO QUE LAS LIMITACIONES O EXCLUSIONES ANTERIORES QUIZAS NO APLIQUEN EN SU CASO; (B) ASIMISMO, ALGUNAS JURISDICCIONES NO PERMITEN LIMITAR EL PLAZO DE UNA GARANTIA IMPLICITA, POR LO TANTO, LA LIMITACION ANTERIOR QUIZAS NO APLIQUE EN SU CASO; Y (C) POR LEY, MIENTRAS LA GARANTIA LIMITADA ESTE VIGENTE NO PODRAN EXCLUIRSE NI LIMITARSE EN MODO ALGUNO NINGUNA GARANTIA IMPLICITA DE COMERCIALIZACION O DE IDONEIDAD PARA UN PROPOSITO EN PARTICULAR APLICABLES A LOS PRODUCTOS AL CONSUMIDOR ADQUIRIDOS POR ESTE.

ESTA GARANTIA LIMITADA APLICA UNICAMENTE A LOS COMPRADORES EN LOS ESTADOS UNIDOS PARA ENTREGA EN LOS ESTADOS UNIDOS.

SERVICIO DE GARANTIA

Para obtener un servicio de garantía si compró un producto cubierto directamente de W.W. Grainger, Inc. ("Grainger"), (i) escriba, llame o visite la sucursal local de Grainger donde compró el producto u otra sucursal de Grainger cerca de usted (visite www.grainger.com para obtener una lista de las sucursales); o (ii) comuníquese con Grainger visitando www.grainger.com y haga clic en el enlace "Contact Us" en la parte superior de la página, luego haga clic en enlace "Email us"; o (iii) llame a Servicio al Cliente (libre de cargo) al 1-888-361-8649. Para obtener servicio de garantía si compró el producto cubierto a través de otro distribuidor o minorista, (i), visite www.grainger.com para el Servicio de Garantía; (ii) escriba, llame o visite la sucursal de Grainger cerca de usted; o (iii) llame a Servicio al Cliente (libre de cargo) al 1-888-361-8649. En cualquiera de los casos, necesitará proporcionar, cuando esté disponible, la fecha de compra, el número de factura original, el número de pieza, una descripción del defecto, y cualquier otra información que especifique esta Garantía limitada de Dayton por un año. Se le podría solicitar que envíe el producto a su propio coste para que lo inspeccionen. Puede hacer un seguimiento de los avances de las inspecciones y medidas correctivas de la misma forma. El título y el riesgo de pérdida pasa del comprador en el momento de la entrega a la compañía de transporte, por lo que si el producto sufre daños durante el transporte, presente un reclamo a la compañía transportista, no al minorista, Grainger o Dayton. Para información sobre la garantía relacionada a los compradores y/o entregas fuera de los Estados Unidos, utilice la siguiente información de contacto aplicable.

Dayton Electric Mfg. Co.,
100 Grainger Parkway, Lake Forest, IL 60045 U.S.A.
 o llame al +1-888-361-8649

Lire et conserver ces instructions. Il faut les lire attentivement avant de commencer à assembler, installer, faire fonctionner ou entretenir l'appareil décrit. Pour se protéger et protéger autrui, observer toutes les informations sur la sécurité. Négliger d'appliquer ces instructions peut causer des blessures corporelles et/ou des dommages matériels! Conserver ces instructions pour références ultérieures

Pompe de gavage automatique Dayton®

Description

Les pompes de gavage automatiques Dayton® (modèles 4HFA6C, 4HFA7C et 4HFA8C) sont des dispositifs de pompage sans réservoir qui augmentent la pression de l'eau dans un circuit d'adduction d'eau résidentiel. Ces pompes sont dotées d'un corps de pompe en acier inoxydable et de roues en laiton qui les rendent durables et résistantes à la corrosion, 5,5 pieds de cordon avec SJTW à 3 broches inclus. Leur conception à deux étages de roue augmente leurs performances. Le panneau de commande indique leur état de fonctionnement.

Déballage et inspection

Manipuler avec soin. Vérifier les articles reçus à partir de la liste d'emballage pour s'assurer que tout l'équipement a bien été reçu. Examiner l'appareil pour voir s'il a été endommagé pendant le transport. Si un dommage est détecté, faire immédiatement une réclamation auprès du transporteur.

Consignes générales de sécurité

INSTRUCTIONS IMPORTANTES DE SÉCURITÉ

Toujours respecter les précautions de sécurité de base avec cet appareil, notamment les consignes suivantes :

AVERTISSEMENT Pour réduire le risque d'accident corporel, ne pas laisser les enfants utiliser ce produit s'ils ne sont pas surveillés attentivement en toute circonstance.

Caractéristiques techniques

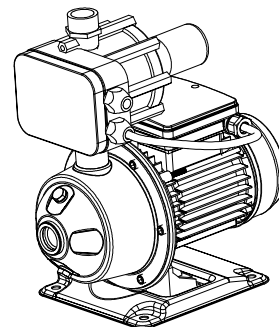
AVERTISSEMENT NE PAS utiliser cette pompe quand la pression d'admission est supérieure à 50 PSI.

REMARQUE : Une pompe de gavage augmente la pression mais n'augmente PAS le débit de manière significative. L'augmentation de la pression est la plus importante à faible débit et décroît en fonction du débit. L'augmentation de pression moyenne dans une résidence est de 25 PSI à 35 PSI. Le débit maximal de la pompe est de 98,4 litres par minute. Le débit minimal est de 7,6 litres par minute. Plage de température de l'eau: 35F-95F

CONSERVER CES INSTRUCTIONS

LIRE ET SE CONFORMER AUX INSTRUCTIONS DE SÉCURITÉ!

AVERTISSEMENT Ceci est le symbole d'alerte de sécurité. Lorsque ce symbole est présent sur le système ou dans ce manuel, rechercher les mots-indicateurs suivants et rester attentif aux risques d'accident corporel.



En Vente 247091

Modèle	Moteur							NPT Entrée Sortie (Pouc.)	Matériel			No de l'étape
	(CH)	Tension	Hz	Ph.	Amps	RPM	Encl.		Corps	Roue	Diffuseur	
4HFA6C	1/2	115	60	1	4.9	3450	TEFC	1	SS*	RTP*	RTP*	2
4HFA7C	3/4	115	60	1	6.1	3450	TEFC	1	SS	RTP	RTP	2
4HFA8C	1	115	60	1	7.7	3450	TEFC	1	SS	RTP	RTP	2

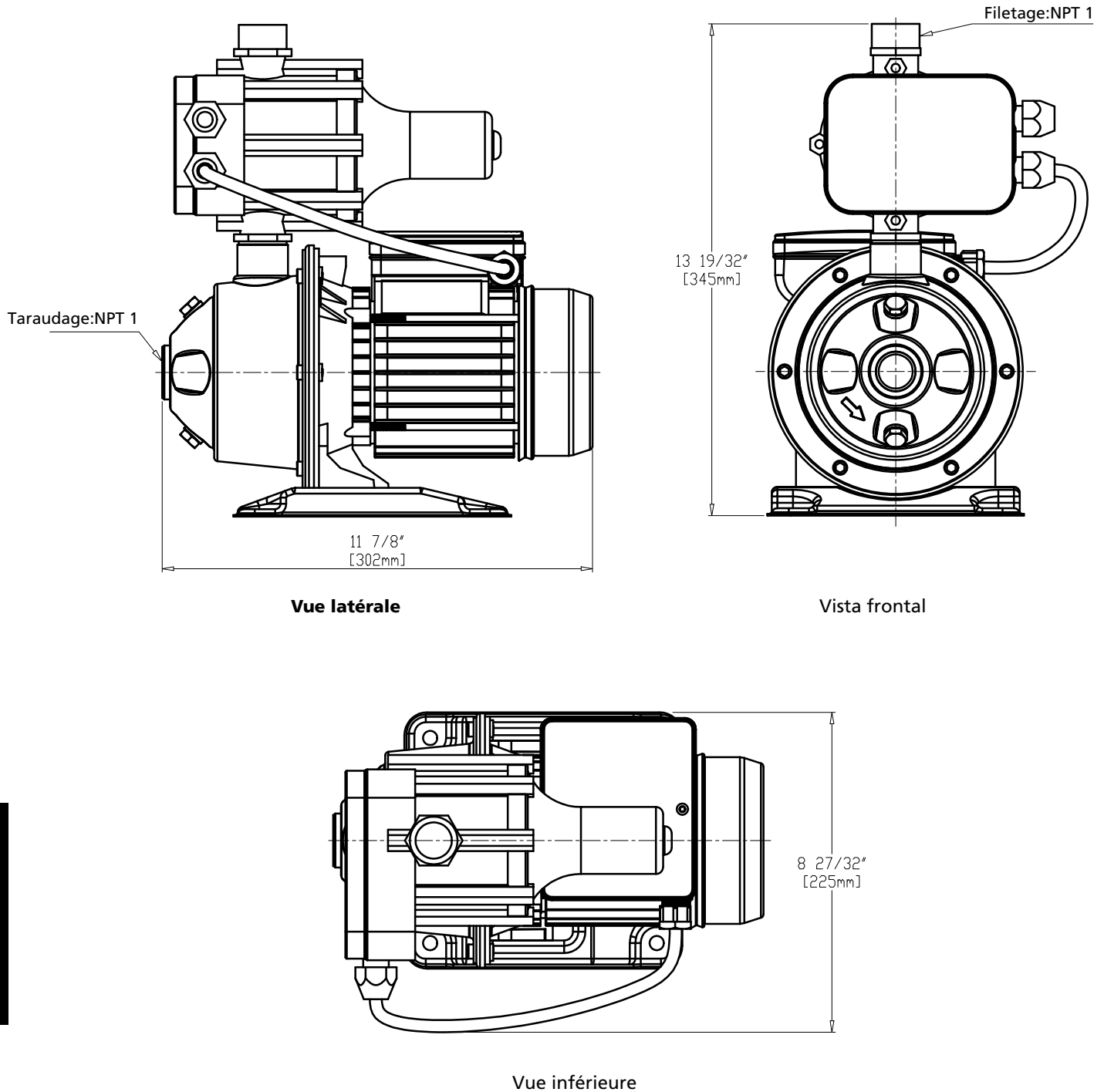
(*)Remarque: SS: Acier inoxydable; RTP: thermoplastique renforcé.
Plage de température de l'eau: 35F-95F

Tableau de rendement

Modèle	Puiss. (ch)	L/min. d'eau @ PSI						Pression max. PSI
		15	20	25	30	35	40	
4HFA6C	1/2	13.4	10.8	7.7	2.9	-	-	32.8
4HFA7C	3/4	15	12.7	10.5	7.4	1.8	-	36.7
4HFA8C	1	18.5	16.5	14.4	12.0	9.1	5.3	45.3

Pompe de gavage automatique Dayton®

Figure 0-dimensions: 4HFA6C,4HFA7C,4HFA8C Unité : Pouce



F
R
A
N
Ç
A
I
S

Modèles 4HFA6C, 4HFA7C et 4HFA8C

Consignes générales de sécurité (suite)

▲ DANGER *Avertit des dangers qui causeront la mort, des blessures graves ou des dommages matériels importants s'ils sont ignorés.*

▲ AVERTISSEMENT *Avertit des dangers qui peuvent causer la mort, des blessures graves ou des dommages matériels importants s'ils sont ignorés.*

▲ ATTENTION *Avertit des dangers qui causeront ou peuvent causer des blessures ou des dommages matériels mineurs s'ils sont ignorés.*

REMARQUE : Indique des instructions particulières qui ne sont pas reliées à des dangers.

Lire attentivement et suivre les instructions de sécurité présentes dans ce manuel et sur le matériel.

Garder en bon état les étiquettes de sécurité et remplacer celles qui sont manquantes ou endommagées.

Afin d'éviter les risques de blessures graves et dommages matériels, lire attentivement les directives de sécurité avant d'installer cette pompe.

Respecter les codes nationaux et locaux de la plomberie, du bâtiment et de l'électricité pour l'installation de la pompe. Utiliser de la tuyauterie rigide pour l'installation de cette pompe.

▲ AVERTISSEMENT *Pression dangereuse. Le corps de pompe peut exploser si la pompe est utilisée pour augmenter la pression au-delà de 100 PSI (689 kPa). Ne pas utiliser cette pompe quand la pression d'admission est supérieure à 50 PSI (345 kPa). Si le système n'en comporte pas déjà une, installer dans le tuyau de refoulement de la pompe une soupape de décharge capable de décharger tout le débit de la pompe à la pression de 100 PSI (689 kPa). Si le code local exige l'installation d'une soupape de décharge capable de décharger tout le débit de la pompe à une pression inférieure à 100 PSI (689 kPa), se conformer à cette exigence.*

Il est recommandé d'installer un interrupteur de sûreté permettant de couper l'alimentation électrique de la pompe en cas de pression de refoulement insuffisante en raison d'une interruption de l'alimentation en eau, d'une rupture de tuyauterie, etc.

Ne jamais faire fonctionner la pompe à sec. Ceci pourrait endommager les pièces internes, provoquer la surchauffe de la pompe (ce qui peut causer des brûlures aux personnes qui la touchent ou la réparent) et annulerait la garantie.

▲ AVERTISSEMENT *Risque d'incendie ou d'explosion. Pour éviter un risque d'incendie ou d'explosion, n'utiliser cette pompe que pour pomper de l'eau. Ne pas l'utiliser pour pomper un liquide inflammable ou un produit chimique. Ne pas utiliser la pompe à proximité d'une veilleuse à gaz ou en présence d'un produit chimique ou de vapeurs d'essence. L'utilisation d'une pompe électrique pour pomper un liquide autre que de l'eau ou dans une atmosphère contenant un produit chimique ou des vapeurs d'essence peut provoquer l'inflammation de ce liquide ou de ce gaz et causer une explosion et/ou un incendie pouvant provoquer la mort ou des blessures graves.*

▲ AVERTISSEMENT *Danger de brûlures. Si de l'eau est piégée dans la pompe en fonctionnement, elle peut se transformer en vapeur. De la vapeur piégée peut conduire à une explosion et des brûlures. Ne jamais faire fonctionner la pompe alors que sa sortie est fermée ou obstruée.*

▲ ATTENTION *Ne pas toucher un moteur qui fonctionne. Les moteurs modernes sont susceptibles d'être très chauds pendant leur fonctionnement. Afin d'éviter les brûlures lors de l'entretien de la pompe, la laisser refroidir pendant 20 minutes après l'avoir arrêtée avant de la manipuler.*

▲ ATTENTION *Ces pompes sont conçus pour le nettoyage les applications d'eau seulement. Ils ne peuvent pas être utilisés pour le pompage de l'eau sale ou avec de l'eau les impuretés solides supérieure de 1/25" (1 mm) de diamètre.*

Sécurité électrique

▲ AVERTISSEMENT *La pompe est fournie avec un cordon d'alimentation électrique à trois conducteurs avec mise à la terre. Ne le brancher que dans une prise correctement mise à la terre et protégée par un disjoncteur de fuite à la terre. Ne pas soulever la pompe par le cordon d'alimentation.*

▲ AVERTISSEMENT *Tension dangereuse. Possibilité d'accident mortel, de choc électrique ou de brûlures. Mettre la pompe électriquement à la terre avant de la connecter à la source d'alimentation électrique. Couper l'alimentation électrique avant de travailler sur la pompe, le moteur ou le réservoir.*

▲ AVERTISSEMENT *La pompe et le contrôleur ne sont pas submersibles. Maintenir le moteur au sec en toute circonstance. Ne pas laver le moteur. Ne pas l'immerger. Protéger le moteur contre les intempéries.*

▲ AVERTISSEMENT *En cas d'utilisation d'une rallonge, utiliser seulement un cordon d'alimentation intérieur/extérieur agréé à 3 fils, de type mise à la terre. Ne pas laisser la fiche ou une partie du cordon dans de l'eau ou dans un endroit humide.*

▲ AVERTISSEMENT *Débrancher l'alimentation électrique de la pompe avant d'en effectuer l'entretien. Afin d'éviter des chocs électriques mortels, procéder comme suit pour effectuer l'entretien de la pompe :*

Couper l'alimentation vers le boîtier de la prise de la pompe avant de débrancher le cordon d'alimentation de la pompe. Après l'avoir débranchée, laisser la pompe refroidir pendant 20 minutes avant de commencer à travailler dessus.

Faire preuve d'une extrême prudence lors du remplacement des fusibles. Afin de réduire les risques de choc électrique mortel, NE JAMAIS se tenir dans l'eau ou placer le doigt dans la douille du fusible.

Pompe de gavage automatique Dayton®

Sécurité électrique (suite)

Mettre à la terre le boîtier de la prise électrique.

Ne brancher la pompe et le régulateur que dans une prise mise à la terre protégée par un disjoncteur de fuite à la terre.

Installation

Ne pomper que de l'eau propre avec la pompe de gavage Dayton. Pour éviter d'encrasser la pompe et d'endommager le joint de l'arbre, ne pas pomper d'eau contenant des solides, des matières étrangères, du sable, du limon ou des abrasifs.

Pour un pompage d'augmentation de pression d'eau provenant d'un puits, vérifier que les clapets de non-retour ferment bien. Si la pression du circuit baisse alors que la pompe du puits ne fonctionne pas, la pompe peut démarrer et accomplir des cycles de fonctionnement. Un fonctionnement par cycles trop nombreux ou trop rapprochés peut endommager le moteur et annule la garantie.

Ne pas utiliser de pâte à joint sur les orifices de la pompe; n'utiliser que du ruban au PTFE pour l'étanchéité des filetages. La pâte à joint endommage les matériaux du contrôleur.

REMARQUE : Le bouchon principal est déjà doté d'un joint torique et n'a pas besoin d'être étanchéifié.

Serrer les joints de tuyauterie à la main et appliquer une rotation d'un tour et demi supplémentaire (pas davantage).

Un serrage excessif peut conduire à la rupture de la pompe et annule la garantie.

La tuyauterie et les raccords pour la pompe doivent avoir un diamètre nominal au moins égal à un pouce. La tuyauterie et les raccords d'un diamètre inférieur à un pouce réduisent les performances et peuvent endommager la pompe par suite d'un effet de cavitation.

Le montage de la pompe doit être horizontal, solide, aussi près que

possible de la source d'eau et protégé contre un excès d'humidité et contre l'inondation.

Utiliser la plus courte tuyauterie et le plus faible nombre de raccords possibles. Une tuyauterie longue et de nombreux raccords augmentent la friction et réduisent le débit d'eau. Soutenir le poids de la tuyauterie et de la pompe.

Ne pas exposer au gel la pompe, le régulateur de pression ou tout autre composant du système. Le gel endommage la pompe et annule la garantie.

Inspecter régulièrement la pompe, le régulateur de pression et les composants du système.

REMARQUE : Le code local peut exiger l'installation d'une soupape de décharge ou d'un régulateur de pression.

⚠ ATTENTION *Risque de fuite et d'inondation. Ne pas utiliser cette pompe quand la pression d'admission est supérieure à 50 PSI (345 kPa).*

⚠ AVERTISSEMENT *Risques liés à la pression et à la possibilité d'explosion. Cette pompe peut engendrer des pressions élevées pendant son fonctionnement si sa conduite de refoulement est fermée ou obstruée. Pour un fonctionnement sécuritaire, nous recommandons les mesures suivantes :*

Si le système n'en comporte pas déjà une, installer dans le tuyau de refoulement de la pompe une soupape de décharge capable de décharger tout le débit de la pompe à la pression de 100 PSI (689 kPa) (voir Figure 2, page 4). Si le code local exige l'installation d'une soupape de décharge capable de décharger tout le débit de la pompe à une pression inférieure à 100 PSI (689 kPa), se conformer à cette exigence. Acheminer la décharge de la soupape de décharge vers un avaloir de sol ou autre drain permettant une évacuation adéquate.

⚠ ATTENTION *Risque d'inondation. Veiller à ce que tous les éléments de plomberie, notamment les raccords, aient des caractéristiques nominales suffisantes pour résister à la pression du circuit attendue de la pompe.*

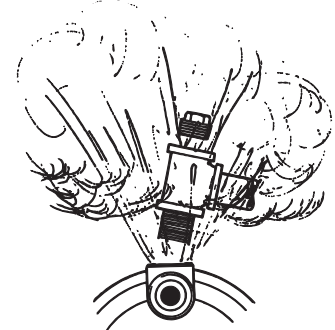


Figure 1 – Ne pas faire fonctionner la pompe lorsque l'admission d'eau est fermée

⚠ DANGER *Une pression dangereuse. Si vous utilisez un tuyau d'arrosage comme une conduite de refoulement, ne jamais utiliser la pompe avec la sortie de tuyau flexible ou la buse est fermée. Le tuyau ou la buse peut éclater de trop beaucoup de pression.*

1. Décider quel est le meilleur endroit pour l'installation de la pompe. Prendre en considération les exigences suivantes :
 - La pompe doit être près de la conduite principale d'alimentation en eau.
 - La pompe doit être accessible.
 - Le cordon d'alimentation électrique doit pouvoir atteindre une prise de courant.
 - Les voyants lumineux du régulateur doivent être visibles.
 - La plomberie doit être facile à réaliser.
 - L'espace utilisé doit être raisonnable.

REMARQUE : Il est recommandé (et il peut être exigé par le code local) d'installer un interrupteur de sûreté permettant de couper l'alimentation électrique de la pompe en cas de pression de refoulement insuffisante (en raison d'une rupture de tuyauterie, etc.).

Modèles 4HFA6C, 4HFA7C et 4HFA8C

Installation (suite)

2. Monter la pompe sur une base solide à l'endroit choisi.
3. Choisir une période permettant l'interruption de l'alimentation en eau de la résidence pendant l'installation de la pompe.
4. Couper le robinet principal de sectionnement d'alimentation en eau de la résidence.
5. Ouvrir un robinet quelconque permettant de dissiper la pression de l'eau dans le circuit de plomberie. Lorsque la surpression de l'eau s'est dissipée, fermer le robinet.
6. **LIRE COMPLÈTEMENT LES INSTRUCTIONS DE L'ÉTAPE 6 AVANT DE L'ENTREPRENDRE.** Il est nécessaire d'enlever une section de la conduite principale d'arrivée d'eau pour permettre l'installation de coudes pour la pompe. Le choix de l'emplacement des sections de la conduite doit tenir compte de la dimension des coudes utilisés, de la longueur de filetage des raccords filetés ou du chevauchement des joints collés ou soudés, etc. Positionner les coudes de manière à ce qu'ils soient alignés sur les filetages d'aspiration et de refoulement de la pompe. Le sectionnement de la conduite peut s'accompagner d'un léger écoulement d'eau. Enlever toute ébarbure et tout copeau éventuel créé par l'outil de coupe.

REMARQUE : Dans le cas d'une tuyauterie galvanisée, il peut ne pas être nécessaire de sectionner la conduite. Si un raccord union se trouve près de l'emplacement de la pompe, démonter le raccord et dévisser le tuyau passant près de la pompe. Couper et fileter des tuyaux ayant la longueur voulue pour permettre le raccordement de la pompe

REMARQUE : L'orifice femelle d'aspiration et l'orifice mâle de refoulement sont tous deux dotés d'un filetage NPT 1 po. Selon le type de connexion utilisé et le diamètre de la conduite d'arrivée d'eau, il peut être nécessaire de monter un adaptateur sur les orifices.

7. Une fois que le petit morceau de tube est enlevé, la tuyauterie au-dessus de la coupe peut être drainée pour éviter les fuites d'eau. Placez un seau ou seau sous l'orifice du tuyau à l'endroit des ménages. Ouvrez un robinet au plus haut niveau dans le système de plomberie pour permettre à l'eau dans le système de s'écouler complètement. Une fois que le circuit est vidé, fermer le robinet.
8. Installer les coudes dans la conduite principale d'arrivée d'eau en les orientant vers la pompe (voir Figure 4, page 6).

⚠ AVERTISSEMENT *Risque de fuite et d'inondation.*
Ne pas réaliser l'installation avec des tuyaux flexibles. N'utiliser que de la tuyauterie rigide répondant aux exigences du code en vigueur.

9. Avant de poursuivre la installation, voir les sections de ce manuel intitulée "électrique Connexions", "Pression automatique Controller", "Fonctionnement normal", et "Quand l'arrêt de la pompe Exploitation" pour des informations détaillées sur la façon dont le système fonctionne
10. Pour utiliser cette pompe pour la connexion plus tard

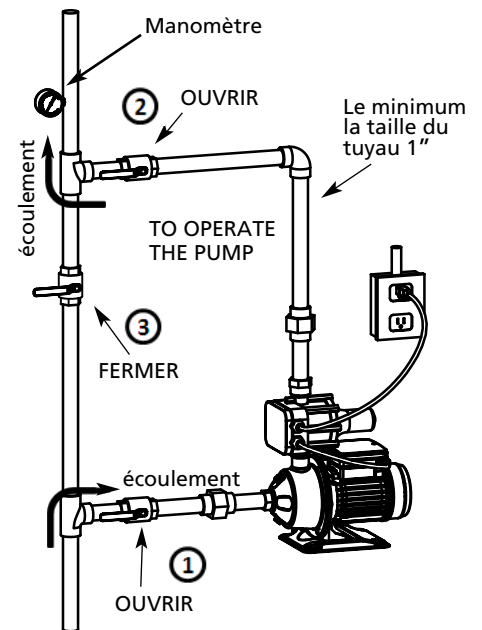


Figure 2 – rappel des ménages typique installation.

11. Utiliser l'union approprié (non représenté) pour connecter des tuyaux pour la plus tard
12. Si la pression d'entrée est supérieure de 20 psi (138 kPa), installer un réducteur de pression (non représenté) entre ball valve 1 et la pompe, setted à 20 psi (138 kPa). Cela permettra d'éviter un excès de pression sur la maison

Pompe de gavage automatique Dayton®

Installation (suite)

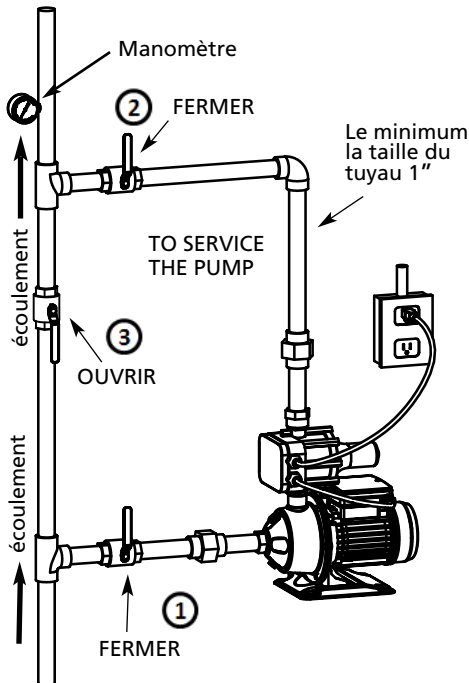


Figure 3 – NE PAS essayer de faire pivoter le régulateur de pression automatique. Il a été aligné à l'usine et son pivotement causerait la rupture du joint collé et provoquerait une fuite

13. Installez un manomètre selon la des images comme ci-dessus (figure 3), surveiller la pression dans la tuyauterie
14. Réglez le robinets à tournant sphérique comme image (Figure 2) Ouvrez le robinet le plus proche et branchez la pompe électrique à un sortie

15. Lorsque tout l'air sera retiré la tuyauterie, fermer la pompe ifaucet. The arrêtera après 7 à 10 secondes. Alors, il se met en marche quand un robinet est ouvert
16. Lorsque la pompe est en marche et Après il se coupe automatiquement le Système est aux pressions boostés Inspecter le tuyau et les raccords à nouveau pour l'eau fuites. Si des fuites apparaissent, débranchez la pompe, tourner la vanne principale de l'eau off, ouvrir un robinet pour soulager la la pression et réparer la fuite. Répéter cette étape jusqu'à ce qu'il n'y a pas de fuites dans le système.

AVERTISSEMENT Dans une pompe de gavage l'entrée la pression ne doit jamais être supérieure à 20 à 25psi.

CONNEXIONS ÉLECTRIQUES

AVERTISSEMENT Tension dangereuse. Risque de choc électrique mortel ou dangereux. Ne brancher la pompe que dans une prise d'alimentation 115 V 60 Hz mise à la terre et protégée par un disjoncteur de fuite à la terre. La pompe est dotée d'un cordon d'alimentation et d'une fiche à trois broches mis à la terre. Ne pas modifier ni enlever la fiche. Vérifier que la prise répond aux exigences du code national de l'électricité des États-Unis ou du Code électrique canadien, le cas échéant. Pour éviter le risque d'un choc électrique dangereux, maintenir le

cordon d'alimentation sec en toute circonstance. Voir Figure 2, page 5.

RÉGULATEUR DE PRESSION AUTOMATIQUE

(Voir Figure 4, page 7)

Le régulateur de pression automatique se monte sur la pompe. Il protège contre :

- le fonctionnement à sec;
- la surchauffe;
- les démarrages fréquents causés par de petites pertes d'eau dans le circuit;
- la baisse de pression.

Le régulateur de pression automatique présente les DÉL et commandes suivantes :

DÉL « POWER ON » indicatrice de mise sous tension : indique que la pompe est connectée électriquement et est sous tension. Elle est prête à fonctionner.

DÉL « PUMP ON » (pompe en marche) : indique que la pompe fonctionne et pompe l'eau.

DÉL « FAILURE » (anomalie d'arrivée d'eau) : indique qu'aucune arrivée d'eau n'est détectée dans la pompe.

Touche « RESET » (réinitialiser) : réinitialise toutes les sécurités ayant été déclenchées et permet le redémarrage de la pompe.

REMARQUE : L'appareil ne réagit pas si on maintient la touche « RESET » enfoncée. On doit appuyer dessus et la relâcher pour activer la fonction de réinitialisation.

Modèles 4HFA6C, 4HFA7C et 4HFA8C

Installation (suite)

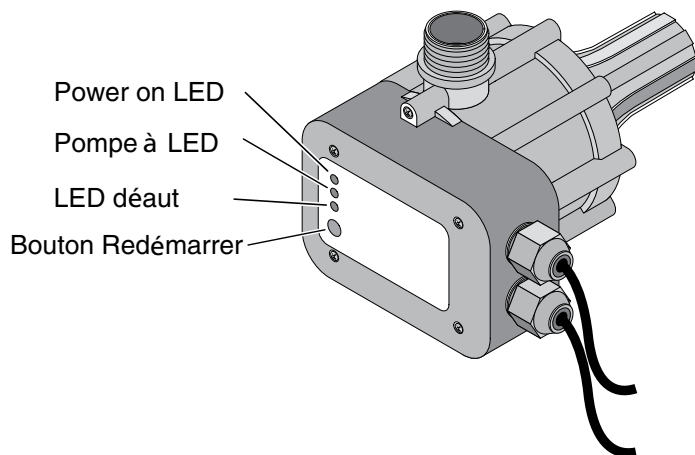


Figure 4 – Panneau de commande

Fonctionnement

FONCTIONNEMENT NORMAL DE LA POMPE

⚠ ATTENTION

Danger de brûlures. NE

JAMAIS faire fonctionner la pompe à sec. Le fonctionnement de la pompe sans eau peut provoquer sa surchauffe et causer des brûlures à toute personne la touchant. Cela peut également endommager la roue et le joint d'étanchéité, ce qui peut causer une fuite provoquant une inondation et annule la garantie. Remplir la pompe avec de l'eau avant de la mettre en marche.

Vérifier que la pompe a été correctement installée et amorcée (voir pages 2 à 5), et que le tuyau d'admission est ouvert et non obstrué.

Turner le bouton de la commande « STARTING PRESSURE » sur la valeur correspondant à la pression minimale désirée pour le circuit.

Brancher la pompe. Les voyants lumineux « POWER ON » et « PUMP ON » s'allument pour indiquer, respectivement, que l'appareil est sous tension et que la pompe est prête à fonctionner.

La pompe démarre et continue à fonctionner jusqu'à Plusieurs secondes après que la pression du circuit a dépassé le point de consigne spécifié sur le cadran « STARTING PRESSURE » et que le débit d'eau s'est arrêté.

QUAND LA POMPE S'ARRÊTE-T-ELLE DE FONCTIONNER?

Point de consigne de la

pression/Aucun débit : La pompe s'arrête de fonctionner et la DÉL « PUMP ON » s'éteint plusieurs secondes après que :

- la pression dans le circuit est supérieure au point de consigne indiqué sur le cadran STARTING PRESSURE et
- le débit d'eau s'est arrêté. Ceci correspond au fonctionnement normal.

Redémarrage : Un débit d'eau supérieur à 3,8 l/min ou une chute de pression au-dessous du point de consigne indiqué sur le cadran « STARTING PRESSURE » provoque le redémarrage de la pompe et l'allumage de la DÉL « PUMP ON ». La pompe continue à fonctionner jusqu'à plusieurs secondes après que :

- elle a rétabli la pression de consigne et
- le débit d'eau s'est arrêté.

REMARQUE : Le délai de plusieurs secondes avant l'arrêt de la pompe empêche les redémarrages fréquents lorsque les robinets sont ouverts et fermés à courts intervalles (par exemple, lorsqu'on se lave les dents).

Tableau A – Dimensions des câbles et des fusibles

Moteur (ch)	Volts	Charge d'ampérage max.	Calibre du fusible du circuit de dérivation		
			14	12	10
1/2	115	4,9	20A/15A	20A/15A	20A/15A
3/4	115	6,1	20A/15A	20A/15A	20A/15A
1	115	7,7	20A/15A	20A/15A	20A/15A

FRANÇAIS

Pompe de gavage automatique Dayton®

Fonctionnement (suite)

Baisse de pression/Aucun débit :

Normalement, lorsque la pompe démarre, elle génère rapidement de la pression et détecte un débit. En cas d'absence de débit et d'augmentation de pression, elle détecte la condition « Anomalie d'arrivée d'eau ». Elle peut également la détecter en cas d'arrêt de l'alimentation de l'eau vers la pompe. Pour empêcher la pompe de fonctionner à sec :

- Plusieurs secondes après la détection de la condition « Anomalie d'arrivée d'eau », la pompe s'arrête.
- Le voyant lumineux « PUMP ON » s'éteint et
- Le voyant lumineux « FAILURE » commence à clignoter.

Redémarrage : Vérifier que la conduite d'aspiration n'est pas obstruée et qu'elle est raccordée à une source d'eau.

- Appuyer sur, puis relâcher la touche « RESET ».
- Le voyant lumineux « PUMP ON » devrait s'allumer et

- Le voyant lumineux « FAILURE » devrait s'arrêter de clignoter.

Si le débit est adéquat, la pompe fonctionne jusqu'à ce que le point de consigne de la pression soit atteint et que le débit d'eau s'arrête.

Entretien

LUBRIFICATION

Le moteur est lubrifié à l'usine pour la durée de vie entière des roulements. Le joint d'étanchéité de la pompe est refroidi par eau et est autolubrifiant.

ENTRETIEN DE LA POMPE

⚠ AVERTISSEMENT *Tension dangereuse.*

Possibilité d'accident mortel, de choc électrique ou de brûlures. Débrancher l'alimentation électrique de la pompe et du régulateur avant de les entretenir. Ne pas manipuler la pompe ou le régulateur ni essayer de travailler sur la pompe avec des mains mouillées ou en se tenant sur un sol mouillé ou humide.

Le moteur est doté d'une protection contre la surchauffe à réinitialisation automatique. Si le moteur chauffe excessivement, la protection de surchauffe se déclenche et l'arrête pour éviter tout dommage, puis se réinitialise quand le moteur a refroidi. Si la protection de surchauffe se déclenche constamment, examiner la pompe pour en détecter la cause (tension insuffisante, roue encrassée, etc.).

⚠ AVERTISSEMENT *Lire et assimiler les instructions de sécurité et d'utilisation de ce manuel avant d'effectuer un quelconque travail sur la pompe!*

⚠ AVERTISSEMENT *Seul du personnel qualifié peut être autorisé à effectuer une vérification électrique du moteur de la pompe!*

Modèles 4HFA6C, 4HFA7C et 4HFA8C

Tableau de dépannage

Symptôme	Cause(s) possible(s)	Action corrective
Le moteur ne fonctionne pas	1. Le fusible est grillé ou le disjoncteur s'est déclenché	1. COUPER L'ALIMENTATION ÉLECTRIQUE; remplacer le fusible ou réenclencher le disjoncteur
	2. Le cordon d'alimentation n'est pas branché	2. Le brancher dans une prise de 115 V mise à la terre
Le moteur chauffe, ce qui provoque le déclenchement de la protection de surchauffe, ou le moteur ne fonctionne pas et ne produit qu'un bourdonnement	1. La tension est trop basse	1. Vérifier la tension d'alimentation à la pompe
	2. La roue ne tourne pas librement	2. Vérifier que la roue tourne librement et n'est pas encrassée
Le moteur fonctionne mais l'eau n'est pas pompée*	1. Amorçage incorrect	1. Réamorcer selon les instructions
	2. Filtre à eau encrassé	2. Arrêter la pompe, couper l'arrivée d'eau et changer la cartouche du filtre. Le filtre doit être installé sur le côté refoulement de la pompe
	3. Vanne de refoulement fermée	3. Ouvrir la vanne
	4. Diamètre insuffisant du tuyau	4. Changer les tuyaux en utilisant de nouveaux tuyaux ayant le même diamètre que les orifices d'aspiration et de refoulement de la pompe
	5. Roue encrassée	5. Nettoyer la roue
	6. Tuyaux gelés	6. Dégeler les tuyaux
La pompe ne pompe pas l'eau à pleine capacité	1. Tuyaux corrodés	1. Remplacer les tuyaux par de nouveaux tuyaux en plastique ou en acier
	2. Tuyauterie d'un diamètre trop petit	2. Changer les tuyaux en utilisant de nouveaux tuyaux ayant le même diamètre que les orifices d'aspiration et de refoulement de la pompe
	3. Alimentation d'eau insuffisante à la pompe	3. Remplacer le tuyau d'admission par un tuyau de diamètre plus grand; vérifier le fonctionnement de la pompe du puits
	4. Tension d'alimentation insuffisante	4. Vérifier que la prise fournit une alimentation de 115 volts

(*) **REMARQUE** : Débrancher l'alimentation électrique de la pompe, puis ouvrir des robinets pour voir si l'eau coule dans le circuit.

Pour commander des pièces détachées, composer sans frais le 1-800-Grainger

24 heures par jour – 365 jours par an

Fournir les informations suivantes :

- Numéro de modèle
- Numéro de série (s'il y en a un)
- Description et numéro de pièce comme indiqué sur la liste des pièces

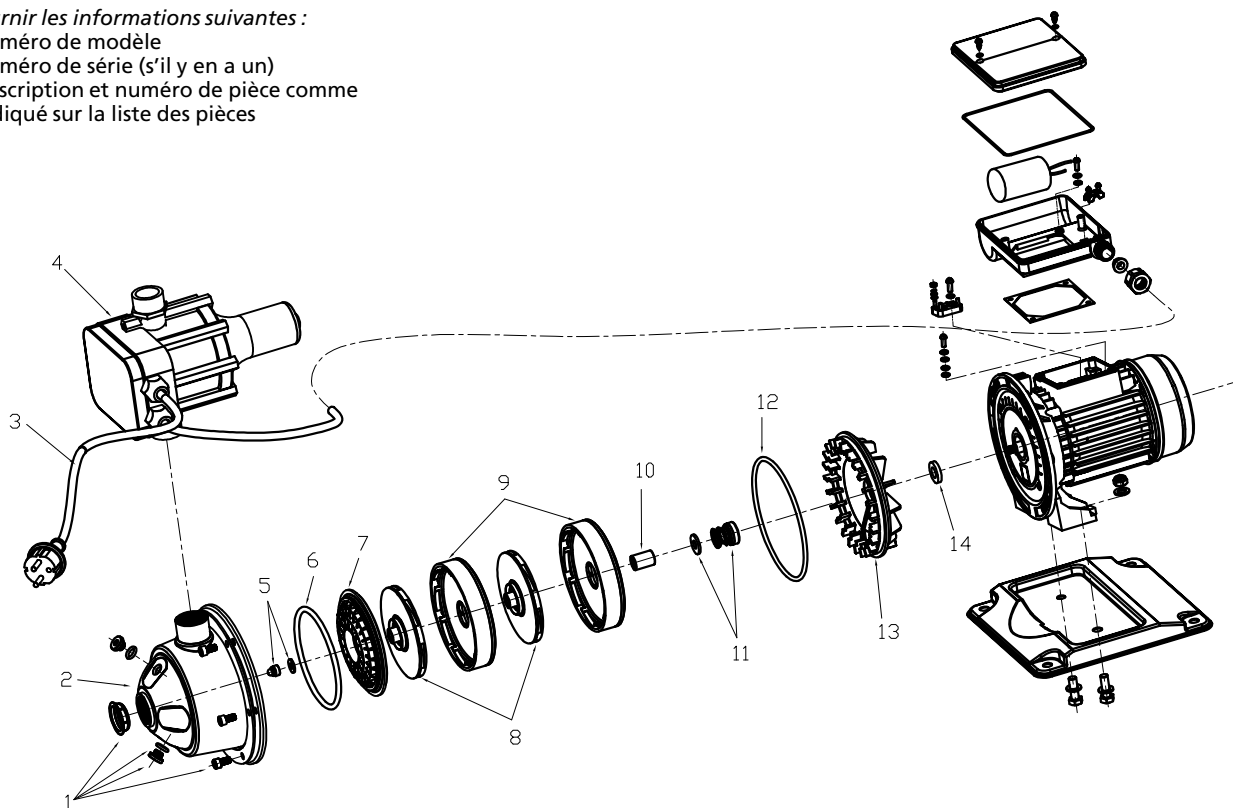


Figure 5 – Illustration des pièces détachées pour la pompe de gavage automatique

Liste des pièces détachées pour la pompe de gavage automatique

Numéro de référence	Description	Numéro de pièce pour modèles :			Quantité
		4HFA6C	4HFA7C	4HFA8C	
1	Kit de quincaillerie de corps de pompe	PP271730101014G	PP271730101014G	PP271730101014G	1
2	Corps de pompe	PP22053AM01G	PP22053AM01G	PP22053AM01G	1
3	Cordon d'alimentation	PP170316Ax21002G	PP170316Ax21002G	PP170316Ax21002G	1
4	Kit de manostat	PP5132007G	PP5132007G	PP5132007G	1
5	Kit cale et écrou	PP5659008G	PP5659008G	PP5659008G	1
6	Joint torique	PP21101000002G	PP21101000002G	PP21101000002G	1
7	Plaque d'étanchéité avant	PP27183AM0405G	PP27183AM0405G	PP27183AM0405G	1
8	Roue	PP5541176G	–	–	1
8	Roue	–	PP5541176G	–	1
8	Roue	–	–	PP5541176G	1
9	Diffuseur	PP5525065G	PP5525065G	PP5525065G	1
10	Spacer	PP5599008G	PP5599008G	PP5599008G	1
11	Joint mécanique	PP5621023G	PP5621023G	PP5621023G	1
12	Joint torique	PP21101246001G	PP21101246001G	PP21101246001G	1
13	Plaque d'étanchéité arrière	PP5525024G	PP5525024G	PP5525024G	1
14	Bague d'étanchéité à l'eau	PP5629108G	PP5629108G	PP5629108G	1
15	Bride du corps de pompe	PP26050B0901G	PP26050B0901G	PP26050B0901G	1

FRANÇAIS

Pompe de gavage automatique Dayton®

GARANTIE LIMITÉE D'UN AN FOURNIE PAR DAYTON

GARANTIE LIMITÉE D'UN AN FOURNIE PAR DAYTON. Tous les modèles de produits Dayton® couverts dans ce manuel sont garantis par Dayton Electric Mfg. Co. (« Dayton ») au premier utilisateur contre tout défaut de fabrication ou de matériau, dans des conditions d'utilisation normales durant un an à compter de la date d'achat. Si le produit Dayton fait partie d'un ensemble, seul le composant du produit présentant un défaut est couvert par la présente garantie. Tout produit ou toute pièce présentant un défaut de fabrication ou de matériau et retourné(e) à un centre de service agréé désigné par Dayton ou par un représentant désigné de Dayton, port payé, sera à titre de recours exclusif, réparé(e) ou remplacé(e) par un produit neuf ou une pièce neuve, ou par un produit ou une pièce remis à neuf d'utilité égale, ou fera l'objet d'un remboursement intégral, au choix de Dayton ou d'un représentant désigné de Dayton, sans frais. Voir les procédures de réclamation sous garantie limitée sous la rubrique « Service de garantie » ci-après. La présente garantie est annulée en cas de preuve de mésusage, de réparation défectueuse, d'installation défectueuse, d'utilisation abusive ou de modification. La présente garantie ne couvre pas l'usure normale des produits Dayton ou des composants de ces produits, ou des produits ou des composants de ces produits qui sont consommables durant une utilisation normale. La présente garantie limitée donne aux acheteurs des droits spécifiques et il est également possible de bénéficier d'autres droits qui varient selon les juridictions.

CLAUSES D'EXONÉRATION DE GARANTIE ET LIMITES DE RESPONSABILITÉ CONCERNANT TOUS LES CLIENTS POUR TOUS LES PRODUITS

LIMITES DE RESPONSABILITÉ. DANS LA MESURE PERMISE AU TITRE DE LA LOI APPLICABLE, DAYTON DÉCLINE EXPRESSÉMENT TOUTE RESPONSABILITÉ POUR TOUT DOMMAGE ACCESSOIRE ET INDIRECT. LA RESPONSABILITÉ DE DAYTON EST DANS TOUS LES CAS LIMITÉE ET NE SAURAIT DÉPASSER LE PRIX D'ACHAT.

CLAUSE D'EXONÉRATION DE GARANTIE. DAYTON S'EST DILIGEMMENT EFFORCÉE D'ILLUSTRE ET DE DÉCRIRE DE MANIÈRE EXACTE LES PRODUITS DE CETTE BROCHURE. CEPENDANT, CES ILLUSTRATIONS ET CES DESCRIPTIONS NE SONT DONNÉES QU'À TITRE D'IDENTIFICATION ET NE GARANTISSENT PAS EXPRESSÉMENT OU IMPLICITEMENT QUE LES PRODUITS SONT DE QUALITÉ MARCHANDE OU ADAPTÉS À UN USAGE PARTICULIER, OU QU'ILS SERONT NÉCESSAIREMENT CONFORMES AUX ILLUSTRATIONS OU AUX DESCRIPTIONS FOURNIES. SAUF DISPOSITIONS CONTRAIRES CI-DESSOUS, AUCUNE GARANTIE OU AFFIRMATION DE FAIT, EXPRESSE OU IMPLICITE, AUTRE QUE CELLE ÉNONCÉE À LA RUBRIQUE « GARANTIE LIMITÉE » CI-DESSUS, N'EST FOURNIE OU AUTORISÉE PAR DAYTON.

CONFORMITÉ DU PRODUIT. DANS DE NOMBREUSES JURIDICTIONS, LES CODES ET LES RÈGLEMENTATIONS QUI RÉGISSENT LES VENTES, LA CONSTRUCTION, L'INSTALLATION ET/OU L'UTILISATION DE PRODUITS POUR CERTAINS USAGES PEUVENT ÊTRE DIFFÉRENTS DE CEUX DE RÉGIONS AVOISINANTES. BIEN QUE DAYTON SE SOIT EFFORCÉE DE RENDRE SES PRODUITS CONFORMES À CES CODES, LA SOCIÉTÉ NE PEUT EN GARANTIR LA CONFORMITÉ ET NE SAURAIT ÊTRE RESPONSABLE DE LA MANIÈRE DONT LES PRODUITS SONT INSTALLÉS OU UTILISÉS. AVANT D'ACHETER ET D'UTILISER UN PRODUIT, IL EST CONSEILLÉ D'Étudier LES DIRECTIVES DE SÉCURITÉ CARACTÉRISTIQUES TECHNIQUES AINSI QUE LES CODES ET RÈGLEMENTATIONS NATIONAUX ET LOCAUX APPLICABLES, ET DE S'ASSURER DE LA CONFORMITÉ À CES CODES DE CES PRODUITS, DE LEUR INSTALLATION ET DE LEUR UTILISATION.

CONSUMMATEURS SEULEMENT. CERTAINS ASPECTS DES DÉNIS DE GARANTIE NE SONT PAS APPLICABLES AUX PRODUITS DE CONSOMMATION VENDUS AUX CONSOMMATEURS; (A) CERTAINES JURIDICTIONS N'AUTORISENT PAS L'EXCLUSION OU LA LIMITATION DES DOMMAGES ACCESSOIRES OU INDIRECTS, DE SORTE QUE LA LIMITATION OU L'EXCLUSION SUSMENTIONNÉE PEUT NE PAS S'APPLIQUER À VOTRE CAS; (B) EN OUTRE, CERTAINES JURIDICTIONS N'AUTORISENT PAS DE LIMITE SUR LA DURÉE D'UNE GARANTIE IMPLICITE, PAR CONSÉQUENT LA LIMITE SUSMENTIONNÉE PEUT NE PAS S'APPLIQUER À VOTRE CAS; ET (C) EN VERTU DE LA LOI, DURANT LA PÉRIODE DE GARANTIE LIMITÉE, TOUTE GARANTIE IMPLICITE DE QUALITÉ MARCHANDE OU D'ADÉQUATION À UN USAGE PARTICULIER APPLICABLE AUX PRODUITS DE CONSOMMATION ACHETÉS PAR DES CONSOMMATEURS, EST SUSCEPTIBLE DE NE PAS POUVOIR ÊTRE EXCLUE OU AUTREMENT DÉNIÉE.

LA PRÉSENTE GARANTIE LIMITÉE S'APPLIQUE SEULEMENT AUX ACHETEURS AUX ÉTATS-UNIS POUR UNE LIVRAISON À L'INTÉRIEUR DES ÉTATS-UNIS.

SERVICE DE GARANTIE

Pour obtenir le service de garantie si le produit couvert a été acheté directement auprès de W.W. Grainger, Inc. (« Grainger »), (i) écrire, téléphoner à la succursale ou visiter la succursale locale de Grainger auprès de laquelle le produit a été acheté ou une autre succursale de Grainger à proximité (consulter le site www.grainger.com pour obtenir la liste des succursales de Grainger); ou (ii) communiquer avec Grainger en se rendant sur le site www.grainger.com et en cliquant sur le lien « Contact Us » en haut de la page, puis sur le lien « Email us »; ou (iii) appeler le service clientèle (sans frais) en composant le 1-888-361-8649. Pour obtenir le service de garantie si le produit couvert a été acheté auprès d'un autre distributeur ou d'un autre détaillant, (i) se rendre sur le site www.grainger.com pour obtenir le service de garantie; (ii) écrire, téléphoner à une succursale ou visiter une succursale de Grainger à proximité; ou (iii) appeler le service clientèle (sans frais) en composant le 1-888-361-8649. Dans tous les cas, il sera nécessaire de fournir dans la mesure du possible, la date d'achat, le numéro d'origine de la facture, le numéro de stock, une description du défaut et tout autre élément spécifié en vertu de la présente garantie limitée d'un an de Dayton. Il sera peut-être exigé de renvoyer le produit moyennant certains frais pour qu'il soit vérifié. Il est possible d'obtenir un suivi quant aux vérifications et aux modifications en cours par les moyens indiqués. Le titre et le risque de perte passe de l'acheteur au transporteur public lors de la livraison, par conséquent si le produit est endommagé pendant son transport, toute réclamation doit être déposée auprès du transporteur, et non pas auprès du détaillant, Grainger ou Dayton. Pour toute information sur la garantie concernant les acheteurs et/ou une livraison à l'extérieur des États-Unis, utiliser les informations de contact suivantes applicables :

Dayton Electric Mfg. Co.,

100 Grainger Parkway, Lake Forest, IL 60045 U.S.A.

ou composer le **+1-888-361-8649**

