

Dayton Submersible Effluent Pumps



PUMPS technical data sheet

Submersible Effluent Pumps are designed for wastewater transfer or removal. These pumps remove pretreated liquid waste discharge from an onsite sewage treatment system such as a septic tank. Effluent pumps typically operate intermittently and automatically with a float switch and can accommodate solids up to 3/4" in diameter.

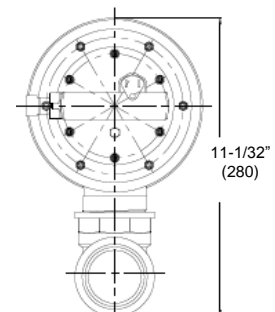
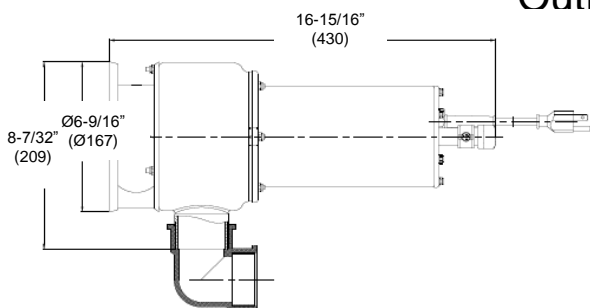


4HDZ8 1/3 HP, Stainless Steel Submersible Effluent Pump

HP	1/3
Voltage	115V
Phase	Single
Frequency	60 Hz
Run Amps	8.9A
Start Amps	22A
RPM	3450
Motor Type	PSC Oil-filled with Class B insulation

Overload Protection	Internal Thermal Overload
Motor Shaft Material	Stainless Steel
Motor Housing Material	Stainless Steel
Motor Duty	Continuous
Motor End Bearing	Single Row Ball
Pump End Bearing	Single Row Ball
Lubrication	Oil Lubricated
Discharge	2 Inch MNPT, Horizontal
Volute Material	Stainless Steel
Base Material	Stainless Steel
Impeller Type	Open Vortex
Impeller Material	Stainless Steel
Hardware Material	Stainless Steel
O-rings	Buna-N
Seal Type	Single Mechanical
Seal Materials	Carbon/Ceramic/Buna N
Operation	Automatic / Tethered Switch
Power Cord	16/3 SJTW, 20' (6.1m), NEMA 5-15P 120V Plug
Max. Solids Handling	1-1/2" (3.8cm) spherical
Max. Water Temperature	130 F (55 C)
Designed Fluid Environment	Water / Wastewater / Effluent
Switch Type	Tether
Switch Cord	20' (6.1m) SJOW Power Cord
Switch Plug	NEMA 5-15P Piggyback Plug
Switch Max. Run Amps	13A
Switch Max. Start Amps	60A
Switch Pumping Range	On at 21" (533mm) Off at 13" (330mm)

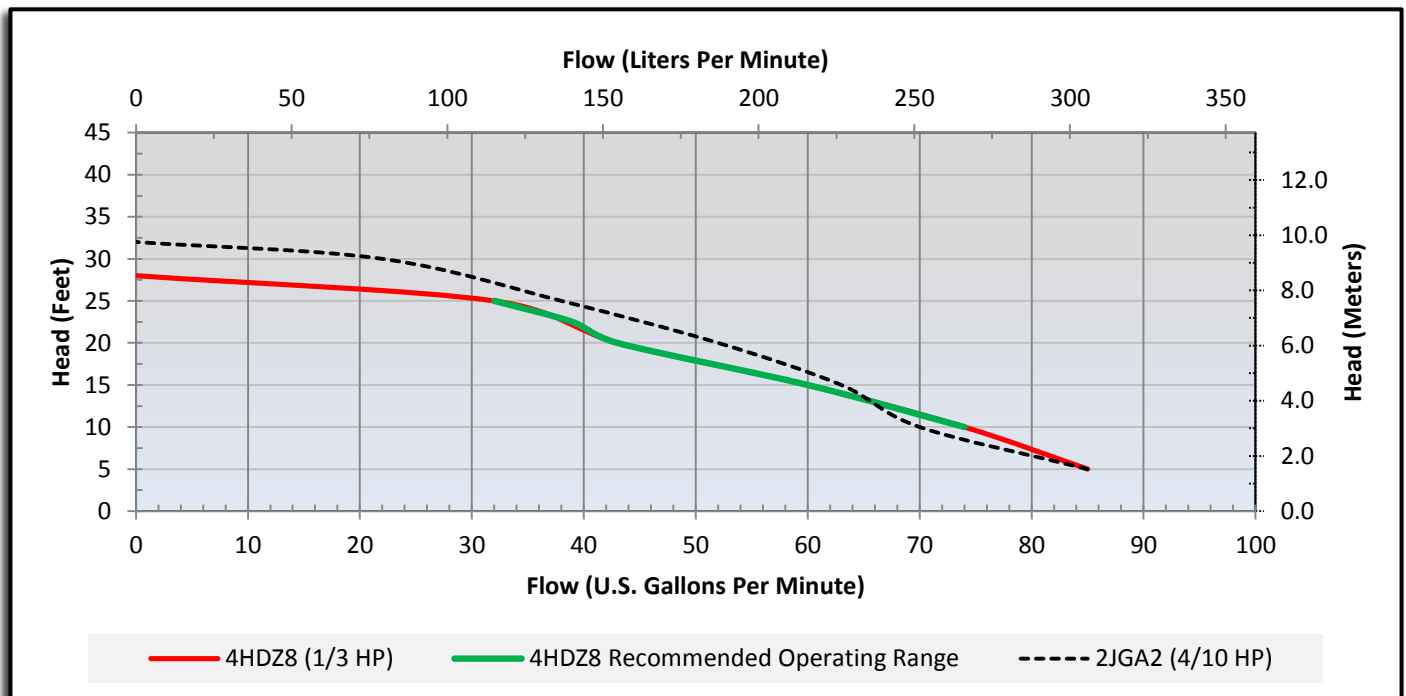
Outline Dimensions



Performance Data

Head	Feet	5	10	15	20	25	28
	Meters	1.5	3.1	4.6	6.1	7.6	8.5
Flow Rate	GPM	85	74	60	43	32	0
	LPM	322	280	227	163	121	0

Performance Chart



WARNING: Use only with nonflammable liquids compatible with pump component materials and in nonflammable/non-explosive atmospheres.

Call or visit your local branch or go to grainger.com/dayton for complete product line information

Find it at Grainger.

© 2013 W.W. Grainger, Inc.

