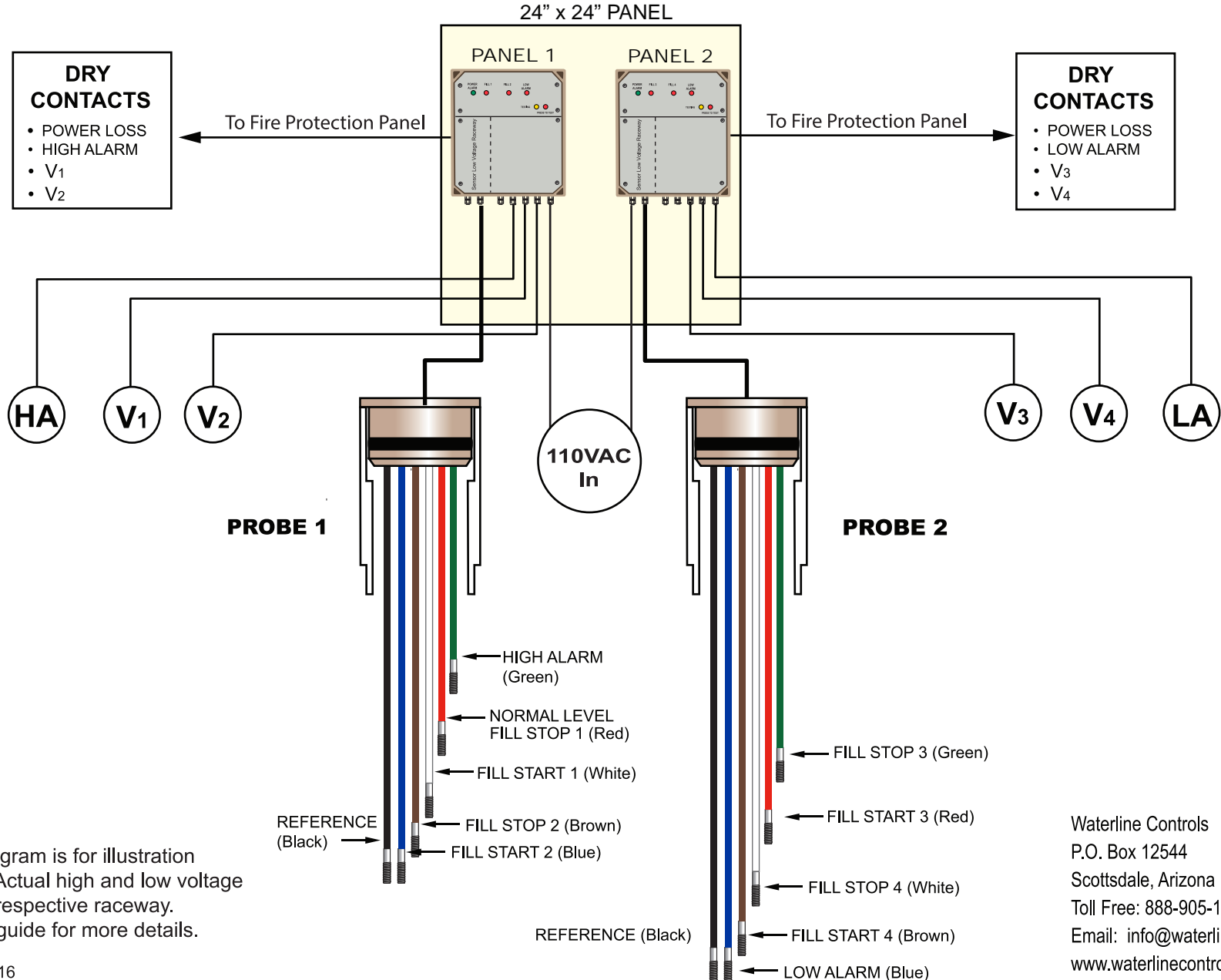


FIRE PROTECTION VALVE SEQUENCE CONTROL



* **NOTE:** This diagram is for illustration purposes only. Actual high and low voltage shall be in their respective raceway. See installation guide for more details.