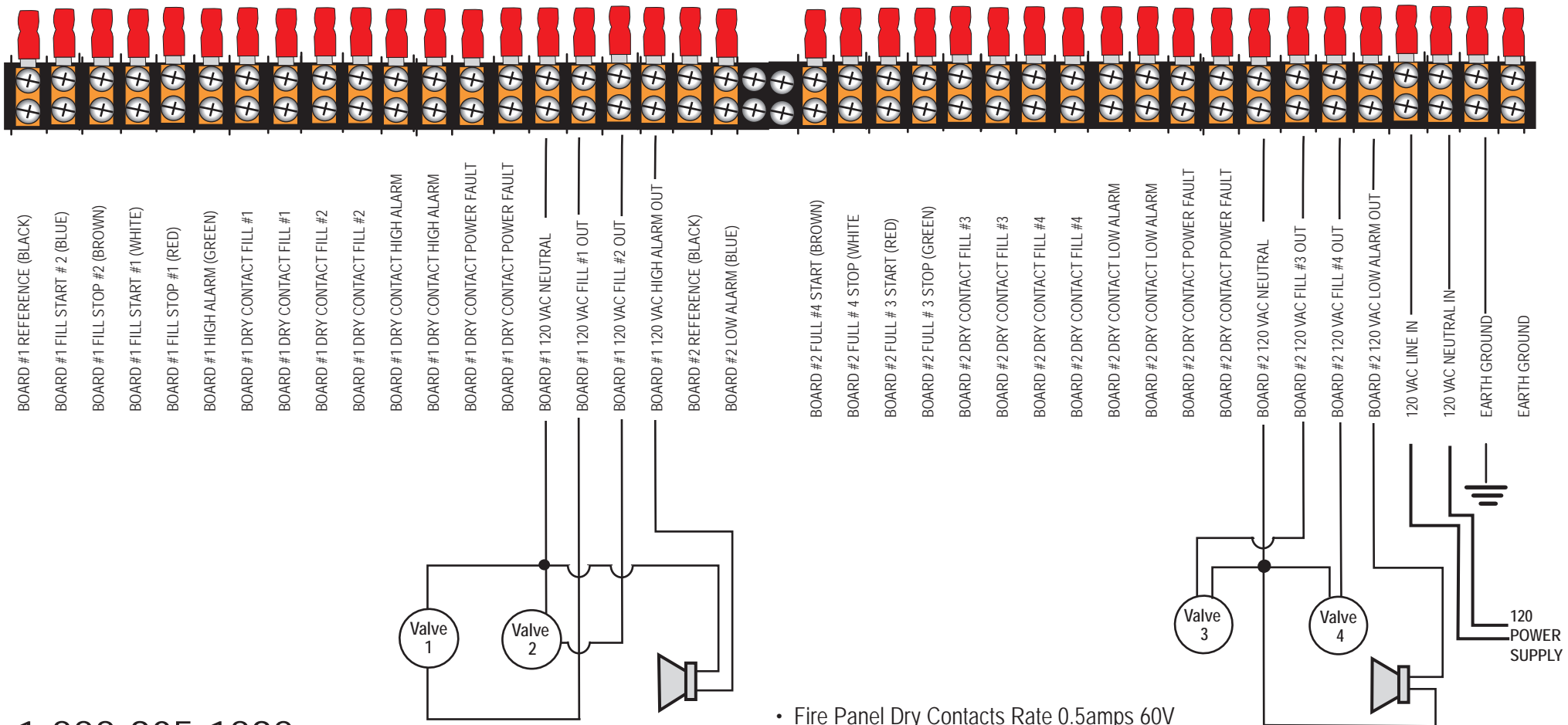


# Electronic Water Level Management Systems



## WLC 6000-COLA2 INSTALLATION WIRING DIAGRAM



- Fire Panel Dry Contacts Rate 0.5amps 60V
- Valve Circuits Rated for 1 amp @ 120V

1-888-905-1892