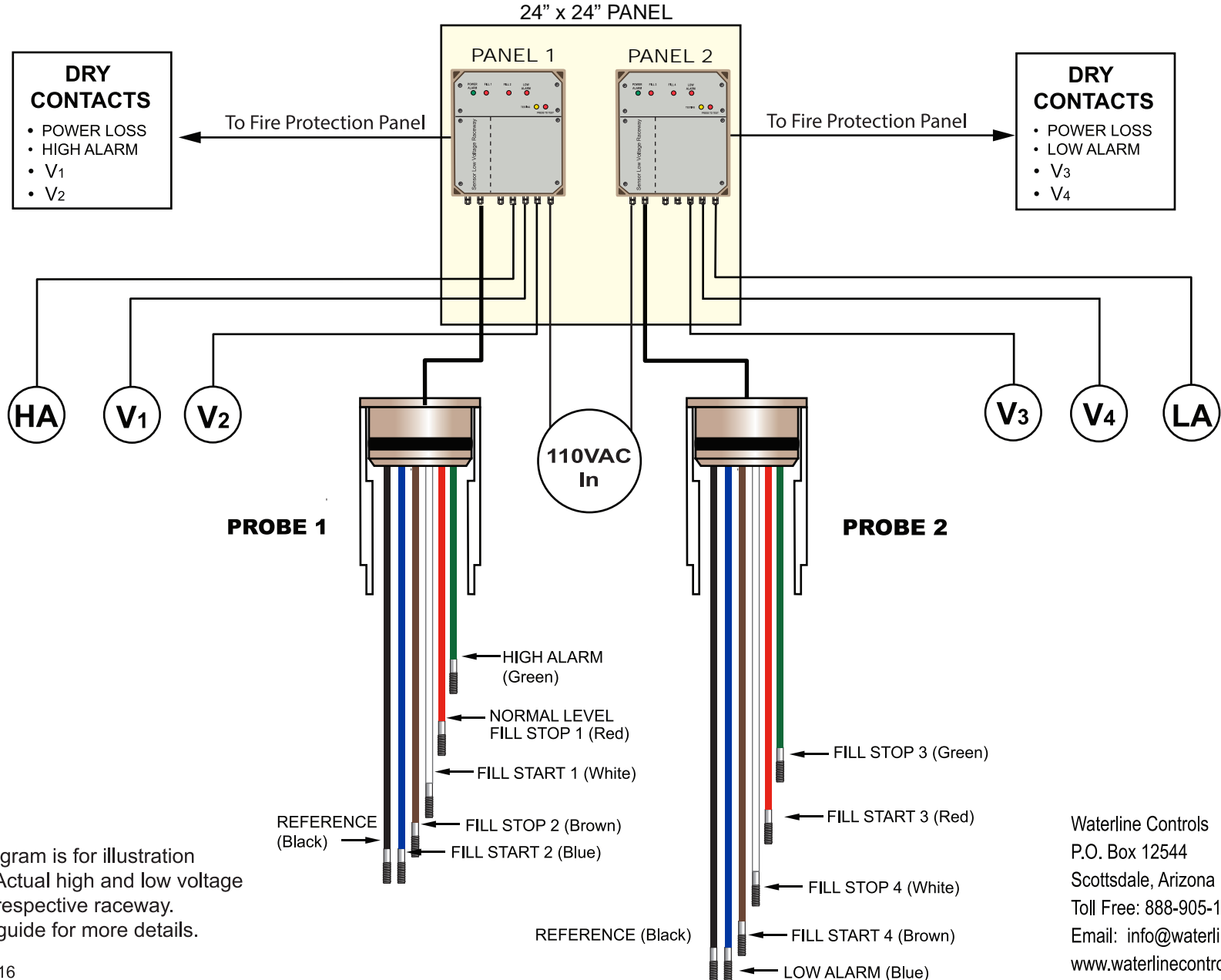


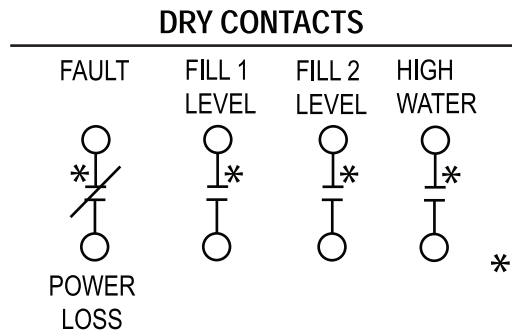
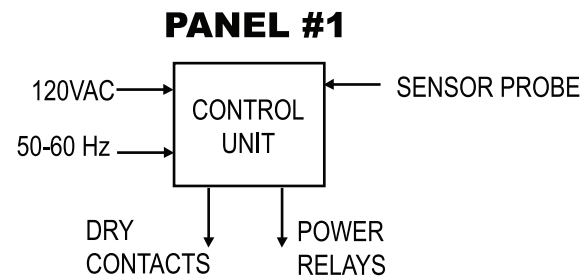
### FIRE PROTECTION VALVE SEQUENCE CONTROL



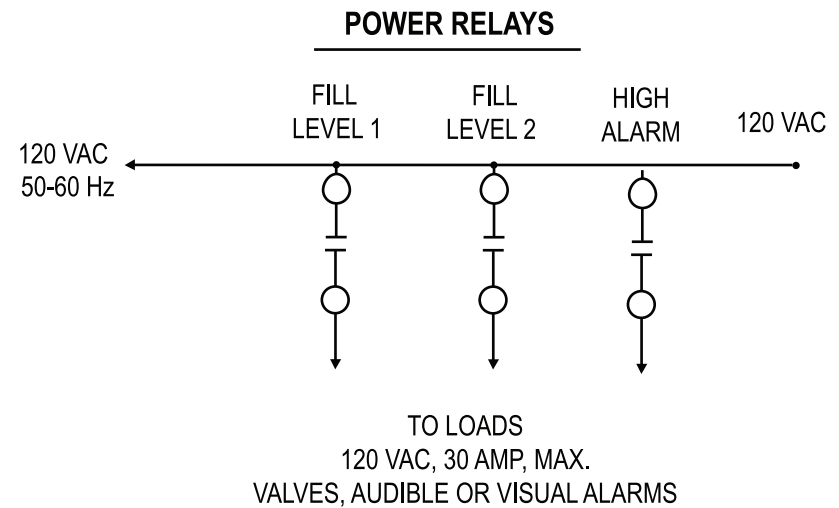
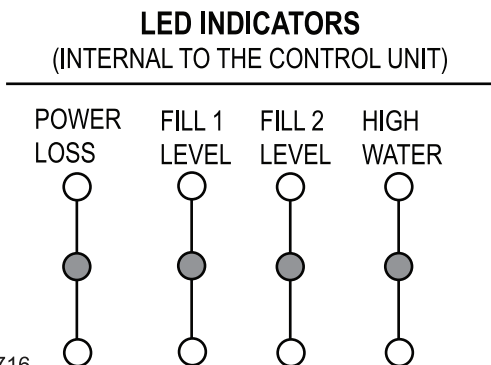
\* **NOTE:** This diagram is for illustration purposes only. Actual high and low voltage shall be in their respective raceway. See installation guide for more details.

## Fill Level 1, Fill Level 2 with High Alarm

### FUNCTIONAL WIRING DIAGRAM



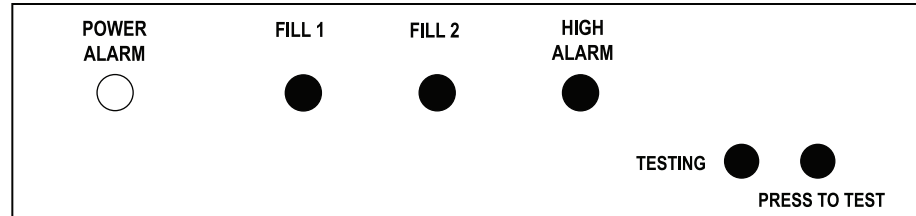
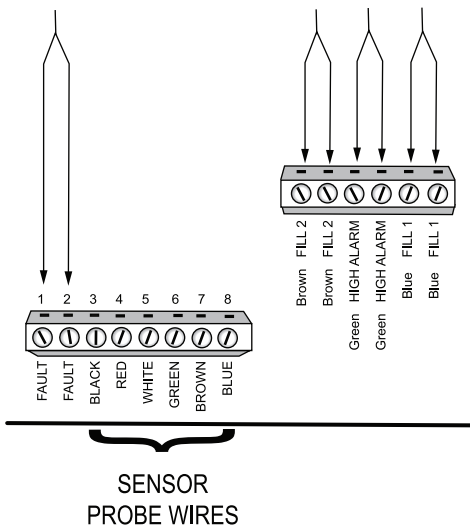
\*Fire Panel Dry Contacts Rate 0.5amps 60V  
Value Circuits Rates for 1 amp @ 120V



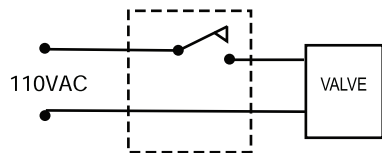
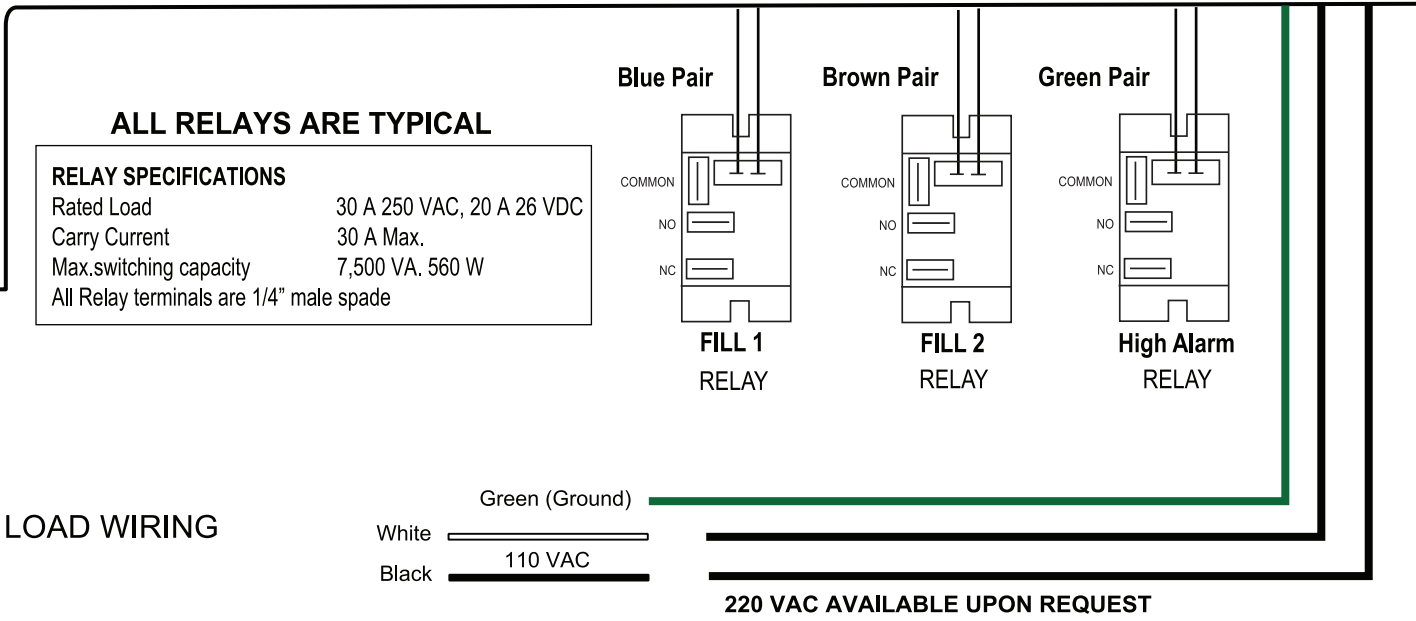
Waterline Controls  
P.O. Box 12544 Scottsdale, Arizona 85260  
Toll Free: 888-905-1892  
Email: [info@waterlinecontrols.com](mailto:info@waterlinecontrols.com)  
[www.waterlinecontrols.com](http://www.waterlinecontrols.com)

### Fill Level 1, Fill Level 2 with High Alarm

0.5 AMPS @ 60 VAC  
FIRE PANEL  
LOW VOLTAGE DRY CONTACTS



**CONTROL UNIT RATINGS**  
VOLTS: 110 VAC  
AMPS: 0.5 AMPS  
WATTS: 30W 50/60 HZ

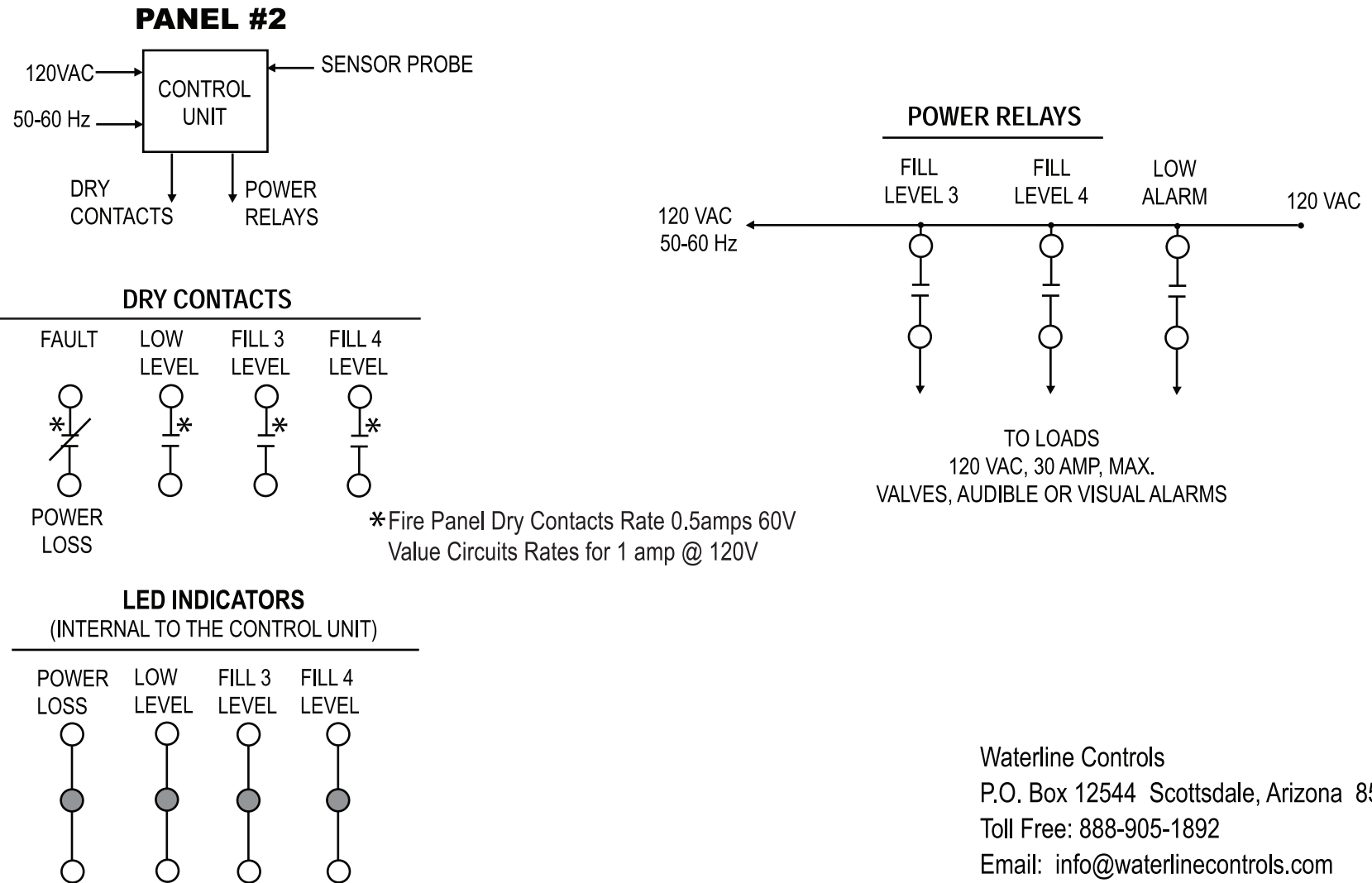


LOAD WIRING

Waterline Controls  
P.O. Box 12544 Scottsdale, Arizona 85260  
Toll Free: 888-905-1892  
Email: info@waterlinecontrols.com  
www.waterlinecontrols.com

### Fill Level 3 and Fill Level 4 with Low Alarm

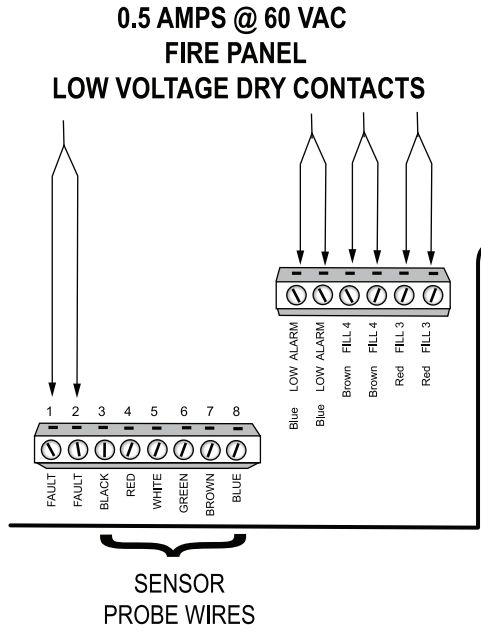
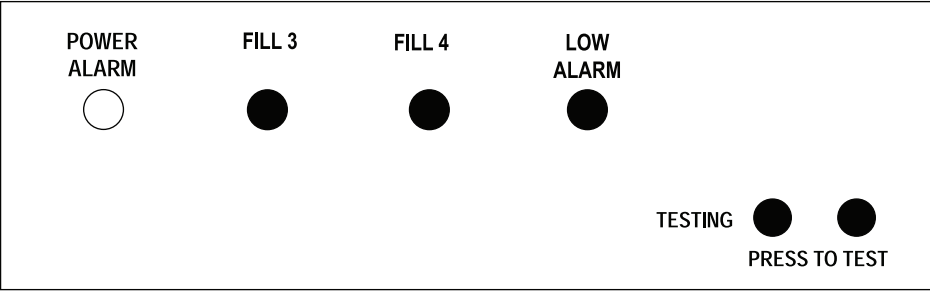
### FUNCTIONAL WIRING DIAGRAM



Waterline Controls  
 P.O. Box 12544 Scottsdale, Arizona 85260  
 Toll Free: 888-905-1892  
 Email: [info@waterlinecontrols.com](mailto:info@waterlinecontrols.com)  
[www.waterlinecontrols.com](http://www.waterlinecontrols.com)

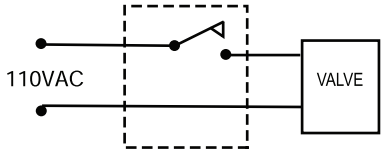
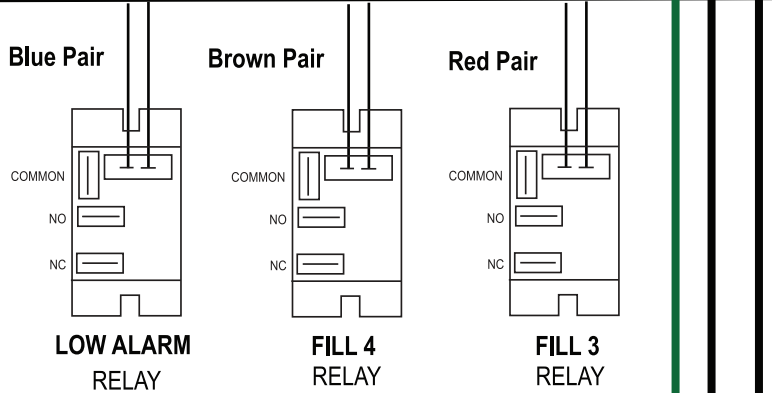
### Fill Level 3, Fill Level 4 with Low Alarm

**CONTROL UNIT RATINGS**  
**VOLTS:** 110 VAC  
**AMPS:** 0.5 AMPS  
**WATTS:** 30W 50/60 HZ



**ALL RELAYS ARE TYPICAL**

**RELAY SPECIFICATIONS**  
 Rated Load 30 A 250 VAC, 20 A 26 VDC  
 Carry Current 30 A Max.  
 Max. switching capacity 7,500 VA. 560 W  
 All Relay terminals are 1/4" male spade



Waterline Controls  
 P.O. Box 12544 Scottsdale, Arizona 85260  
 Toll Free: 888-905-1892  
 Email: [info@waterlinecontrols.com](mailto:info@waterlinecontrols.com)  
[www.waterlinecontrols.com](http://www.waterlinecontrols.com)