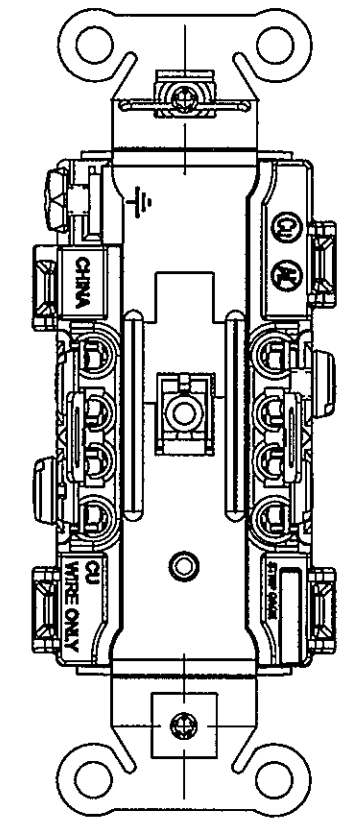
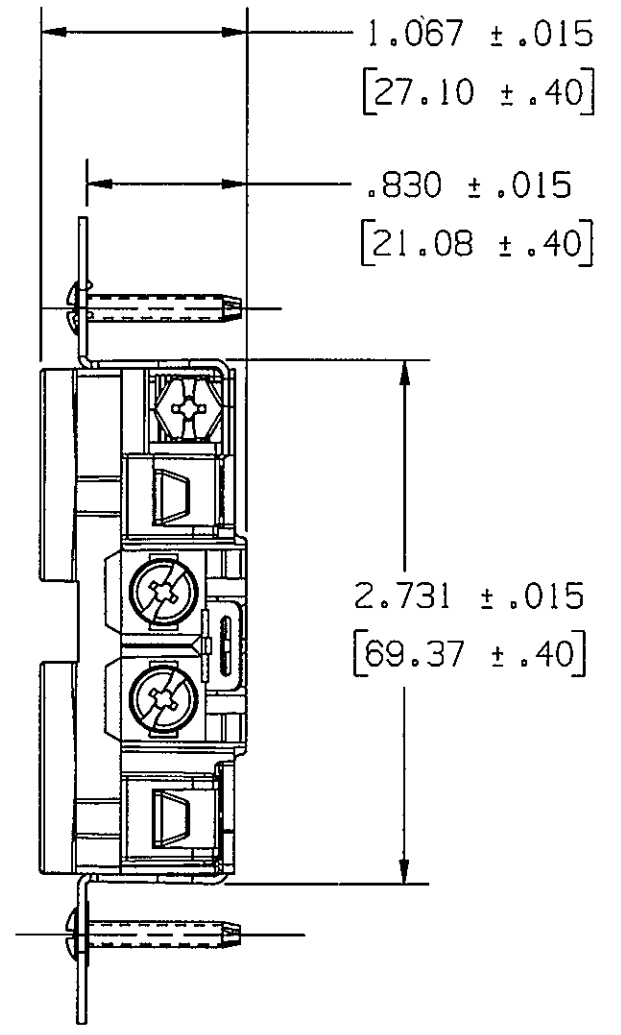
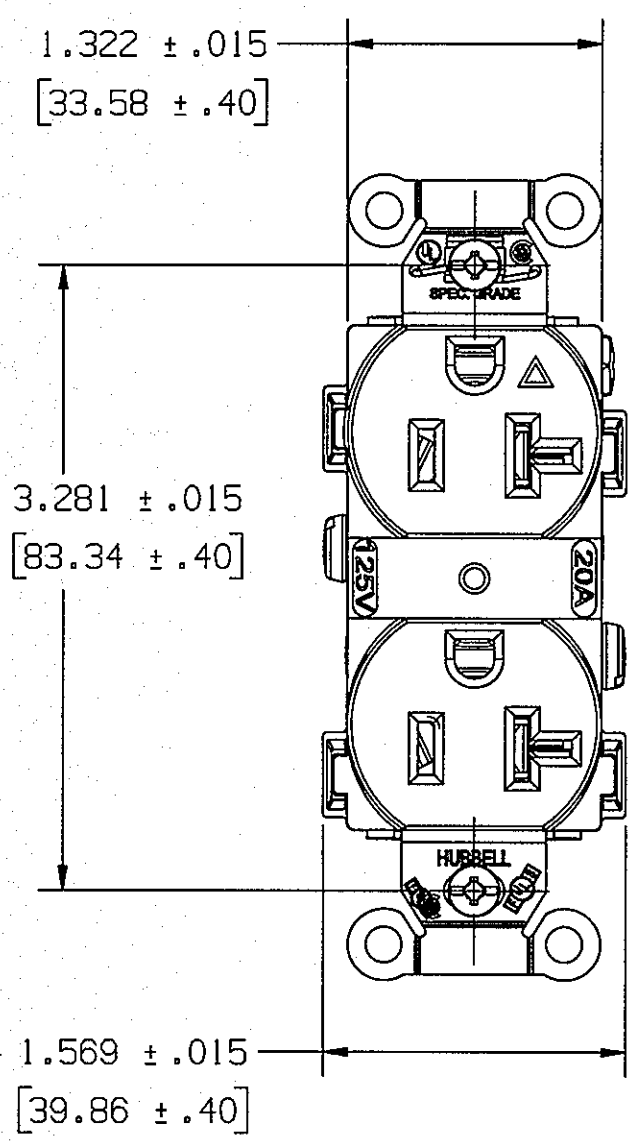


M-10963 | 2



NOTES:  
 1) DIMENSIONS ARE IN INCHES [MM].  
 2) ALL DEVICES UL LISTED AND CSA CERTIFIED.  
 3) TERMINALS ACCOMMODATE #14-#10 AWG COPPER WIRE ONLY.

CATALOG NUMBERS

HUBBELL	BROWN	IVORY	GRAY	WHITE	BLACK	ALMOND	BLUE	LIGHT ALMOND	RED	ORANGE	OFFICE WHITE
	-----	I653521	I65352GY	I65352W	-----	I65352AL	-----	I65352LA	-----	I65352	-----

LIST OF PARTS

DESCRIPTION	MATERIAL	FINISH
TOP	NYLON 6/6	SPI A-3
BASE	NYLON 6/6	SPI A-3
LINE CONTACTS	BRASS	
GROUND CONTACTS	BRASS	
CONTACT SCREW (NEU)	STEEL	NI PLT
CONTACT SCREW (HOT)	STEEL	
BRIDGE	.04 GALV STL	
GROUND SCREW	STEEL	GREEN
STAPLE	S.S.	
WASHER	PVC FILM	BLACK
MOUNTING SCREW	STEEL	SS
INSULATOR	MYLAR	

2	UPDATED TOP VIEW SHOWING IG SYMBOL ON RIGHT SIDE OF A-FACE TO REFLECT CURRENT PRODUCTION. PER DCN 20555 DDL	DJP	06/17/14
1	RELEASED PER DCN #14759 WRV		03/08
SYM	REVISIONS	APP	DATE

THE DESIGN AND DIMENSIONS OF THE PRODUCT SHOWN ON THIS DRAWING ARE SUBJECT TO CHANGE WITHOUT NOTICE

TITLE HUBBELL  
 20A 125V, 2P 3W  
 ISOLATED GROUND  
 DUPLEX RECEPT.  
 BACK & SIDE WIRE ONLY

TOLERANCES UNLESS OTHERWISE SPECIFIED .XX = ± .01 .XXX = ± .005 ANGLES = ± 2°	WIRING DEVICE-KELLEMS HUBBELL INCORPORATED SHELTON, CT	
	DR. BY WRV	APP. BY
	TR. BY	SCALE 1:1
	CHK. BY	DATE 3/08