



S93-571

Bradstone® Classic Washfountains

- Pre-assembled bowl and pedestal
- Available in 54" or 36" diameter semi-circular or circular bowls
- 9" deep bowl, designed for heavy-duty hand washing
- Reliable foot, air, or infrared activations, or TouchTime® mechanical metering

Specifications

Size and Capacity

Semi-circular models accommodate up to 3 users (36" models) or 4 users (54" models) at a time. Circular models accommodate up to 5 users (36" models) or 8 users (54" models) at a time. The Classic Sprayhead (non-sectional) is controlled by a foot rail, air activated pushbutton, an infrared sensor, or an electronic pushbutton or piezo switch. The washfountain bowls, pedestals, and valve sets are completely assembled. Only the support column and connections to the valve set and drain require assembly. The operating range is 20-80 psi. Flow rate controlled by volume control valve.

Construction

Bradstone®: An extremely durable plastic material made of reinforced thermosetting polyester resins, finely ground inorganic fillers and fade resistant pigments.

Pedestals: Constructed of die-formed legs, upper braces, scuff bases and panels: legs are zinc chromate plated 14 gauge steel; upper braces are 16 gauge galvanized steel; and scuff bases are 300 series stainless steel with a #4 finish. Bradstone® models have tapered, vacuum-formed plastic access panels in the color gray.

Standard Equipment

Valves and Fittings

In addition to the bowl and pedestal assembly, the following valves and fittings are standard: sprayhead with stainless steel support tube and bowl gasket; spud with domed strainer; sprayhead supply line; manual mixing valve; volume control valve; and (2) stop, strainer, and check valves.

Activation Controls

Foot

Each press of the foot rail mechanically actuates a hold-open valve, with slow closing upon release of foot pressure. Foot rail activates a flow of tempered water at a rate of 0.50 gpm (1.9 Lpm) for WF2803; 1.0 gpm (3.8 Lpm) for WF2804; 0.75 gpm (2.8 Lpm) for WF2805; or 1.0 gpm (3.8 Lpm) for WF2808 from the classic non-sectional sprayhead.

Air

Each pushbutton pneumatically actuates a non-hold-open, air metering, single-temperature valve with field adjustable timing from 0–45 seconds. Factory preset at 11 seconds. Each pushbutton activates a flow of tempered water from the classic non-sectional sprayhead. Pushbutton requires less than five pounds of pressure.

Infrared

Hands placed within the bowl are detected by an infrared sensor module which activates a flow of tempered water at a rate of 0.75 gpm (2.8 Lpm) for WF2803; 1.25 gpm (4.7 Lpm) for WF2804; 0.75 gpm (2.8 Lpm) for WF2805; or 1.0 gpm (3.8 Lpm) for WF2808 from the classic non-sectional sprayhead. Shut-off is automatic after hands are removed from the detection area. The infrared sensor uses a conical-shaped transmitting beam, having a detection area adapted to, but not exceeding, the bowl perimeter. The adaptive infrared sensor automatically adapts to the bowl after power is turned on. The infrared sensor is not affected by varying color tones or darkness. Direct sunlight or bright washroom lights will not activate the system. Infrared models also include solenoid valves and a 12V plug-in adapter as standard equipment:

- Solenoid – 12VDC, 3/4" NPT. Few moving parts, and resistant to most chemicals, minerals, and impurities often present in municipal water supplies.
- Low-Voltage UL/CSA listed 120VAC/12VDC plug-in adapter. Plugs into a standard GFCI protected electrical outlet. Location of transformer per local electrical code.



TouchTime® Mechanical Metering

Each low-voltage, mechanical pushbutton or piezo switch actuates a non-hold-open, slow-closing, anti-hammer solenoid valve that is timed from an electronic potted assembly. Each pushbutton activates a flow of tempered water at a rate of 0.15 gpc (0.57 Lpc) for WF2803; 0.25 gpc (0.95 Lpc) for WF2804; 0.15 gpc (0.57 Lpc) for WF2805; or 0.25 gpc (0.95 Lpc) for WF2808 from the classic non-sectional sprayhead. TouchTime controls water flow at all stations through the use of solid state, digital circuitry. Timing is factory set at 11 second run time but is field adjustable to pre-set timeout periods and optional auto-flush function will activate water flow for a period of 60 seconds any time there has been no activation within the past 24 hours. Pushbutton and piezo switch requires less than five pounds of pressure.

Product Compliance

Listed by IAPMO R&T to

- Uniform Plumbing Code (UPC)
- National Plumbing Code of Canada
- International Plumbing Code (IPC)
- IGC 156 and the requirements of CSA B45.5/IAPMO Z124 and ASME A112.18.1/CSA B125.1



Listed by NSF International to

- NSF/ANSI 372



© 2021 Bradley



S93-571

Bradstone® Classic Washfountains

Models (Must select one)			
Model	Size	Users	Material
WF2803	36" Semi-Circular	3	Bradstone
WF2804	54" Semi-Circular	4	Bradstone
WF2805	36" Circular	5	Bradstone
WF2808	54" Circular	8	Bradstone

Standard Selections (Must select one from each category)	
Drain Type (select one)	
A	Off-line vent with supplies from below
B	Centrally rising vent with supplies from above
H	Centrally rising vent with supplies from below
O	Off-line vent with supplies from above

Mounting Height Type (select one)	
STD	Standard Height

Sprayhead Type (select one)	
CLC	Classic Sprayhead (entire sprayhead activates)

Activation Type (select one)			
F	Foot	TTPA	TouchTime Push Button**
IRP	Infrared	TTPB	TouchTime Piezo Switch**
AST4	Air Valve Metering		

Water Supply Type (select one)			
MMV	Manual Mixing Valve‡	TMA	Thermostatic Mixing Valve

Soap Dispenser Type (select one)			
PSD	Powdered Soap Dispenser	MPSD	Metal-Clad Powdered Soap Disp.
LSD	Liquid Soap Dispenser	SA	Cube Adapter for Individual Soap Dispensers (dispensers sold separately)†
MLSD	Metal-Clad Liquid Soap Dispenser	NSD	No Soap Dispenser

Bradstone® Bowl Color (select one)	
SBOX	Sandbox
CBON	Carbon

Optional Selections	
Shroud Type	
SH	Stainless Steel Shroud (Conceals Overhead Piping)*
NONE	No Shroud
<i>NOTE: Floor to ceiling height is required; maximum height of 13 ft. 0 in. A height greater than the maximum height will be considered a special order.</i>	
Support Tube Reinforcement Type	
TA	1-1/2" Tie Pipe Assembly (Not Required When SH is Selected) §
NONE	No Tie Pipe Assembly
Towel Dispenser Type	
CFTD	(2 for semi, 3 for circular) C-Fold, Multi-Fold Dispenser
SFTD	(2 for semi, 3 for circular) Single-Fold Dispenser
NONE	No Towel Dispenser

*Non-cancelable, non-returnable.

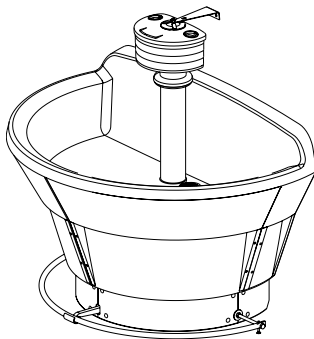
**TTPA and TTPB require a low-voltage UL/CSA listed 120VAC/12VDC plug-in adapter.

† Towel dispenser with SA option is non-cancelable and non-returnable.

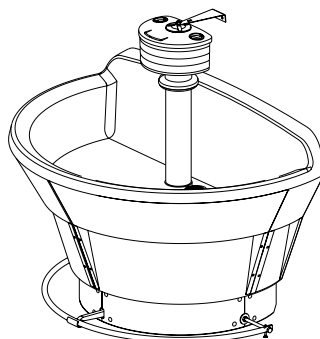
§ Required with drain A, drain O, and towel dispensers.

‡ Not a temperature limiting device. Installer must provide an ASSE 1070 device where required per code.

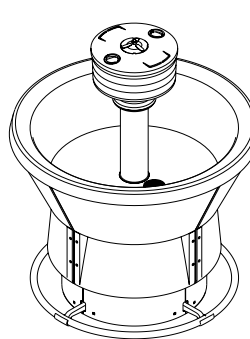
Semi-Circular Bradstone® WF2803 and WF2804, Circular Bradstone® WF2805 and WF2808



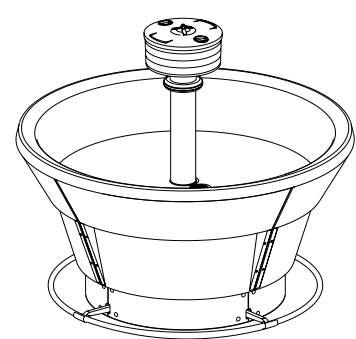
WF2803



WF2804



WF2805



WF2808

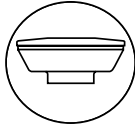


S93-571

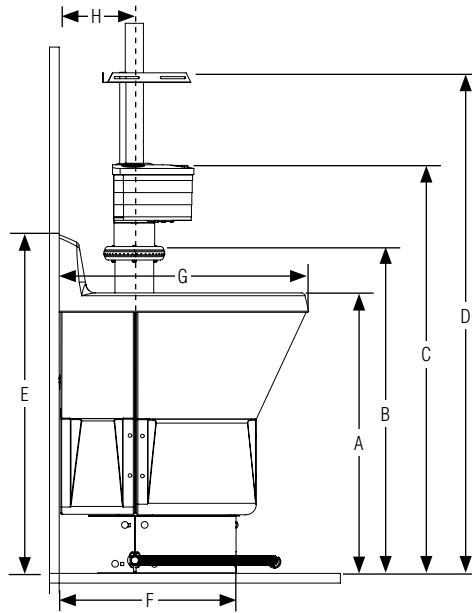
Bradstone® Classic Washfountains

Dimensional Information

(mm)

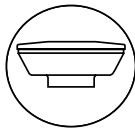


**Add 3½" to Dimensions C & D for Optional TouchTime®, Infrared Sensor, or Air Valve

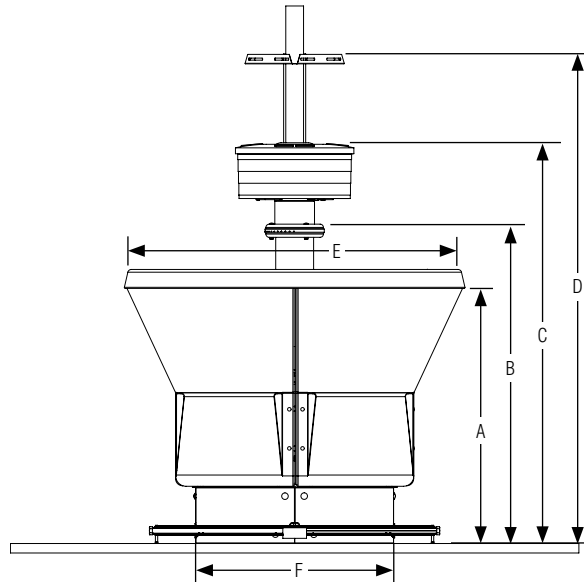


Semi-Circular

Model	Size	A	B	C**	D**	E	F	G	H
2804	54" (1372)	29¼" (743)	37½" (953)	46" (1168)	54¾" (1381)	35¼" (895)	24¼" (616)	35¼" (895)	8¼" (222)
2803	36" (914)	29¼" (743)	34" (864)	42½" (1080)	50⅞" (1292)	35¼" (895)	18¼" (464)	25¾" (654)	7¾" (197)



**Add 3½" to Dimensions D & E for Optional TouchTime®, Infrared Sensor, or Air Wave



Circular

Model	Size	A	B	C**	D**	E	F
2808	54" (1372)	29¼" (743)	37½" (953)	46" (1168)	54¾" (1381)	54 (1372)	32 (813)
2805	36" (914)	29¼" (743)	34" (864)	42½" (1080)	50⅞" (1292)	36 (914)	21 (533)

** Add 3-1/2" (89) for optional TouchTime®, infrared sensor or air valve.



S93-571

Bradstone® Classic Washfountains

Rough-Ins – Semi-Circular

(mm)

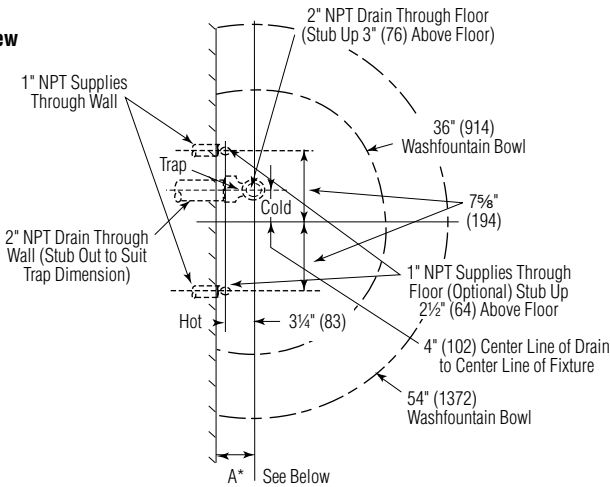
Rough-In Notes

1. All pipes and fittings not furnished by Bradley are shown in broken lines.
2. Supply lines for one to two washfountains should be 1"; for three washfountains 1¼"; for more than three washfountains, pipe sizes should be increased proportionately.
3. Overhead supplies must be reduced to 1/2" copper tube to pass through support tube.
4. Check valve inlets are 1/2" NPT.
5. Drain Types B and H: For maximum rigidity of sprayhead/support tube assembly, use 1½" NPT galvanized pipe for vent. Use of plastic or copper for vent is not recommended.

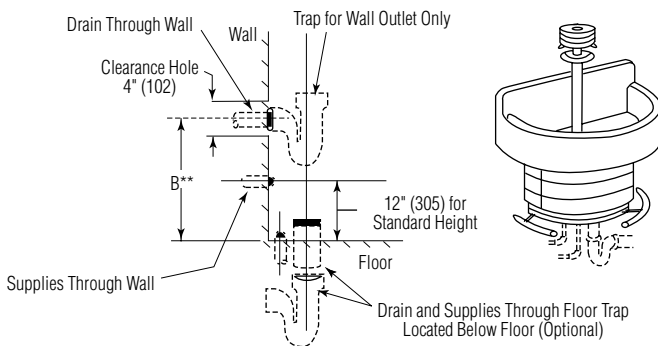
Type A

– Off-line vent with supplies from below.

Top View



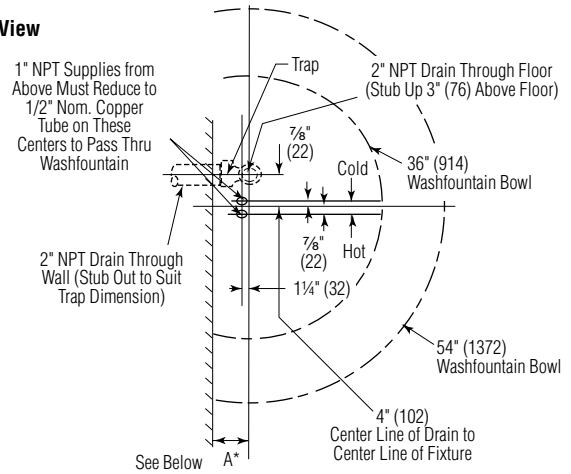
Side View



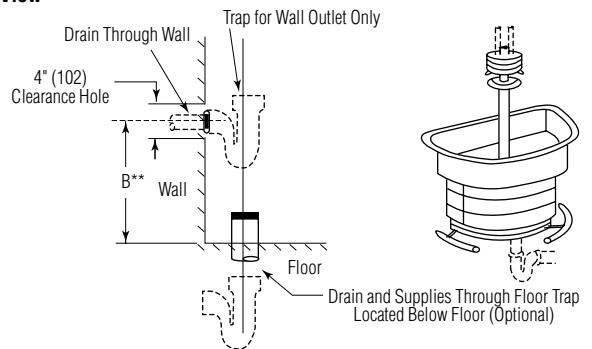
Type O

– Off-line vent with supplies from above.

Top View



Side View



Installing Traps

When installing trap with a coupling and nipple, see dimension D in the chart below. If trap is installed tight to bottom of bowl, dimension D depends on design of trap.

Model	Bowl Size	A*	B** (Standard Height)
WF2804	54" (1372)	8 1/4" (210)	6 to 11 5/8" (152 to 295)
WF2803	36" (914)	7 3/4" (197)	6 to 12" (152 to 305)

* Wall to centerline of trap
 ** Centerline of drain to floor



S93-571

Bradstone® Classic Washfountains

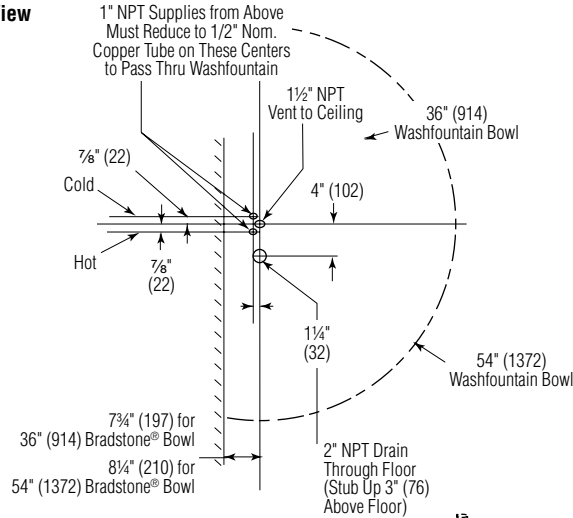
Rough-Ins – Semi-Circular (continued)

(mm)

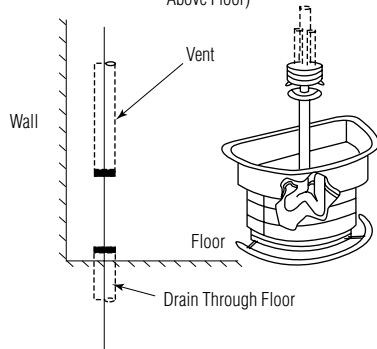
Type B

– Centrally rising vent with supplies from above.

Top View



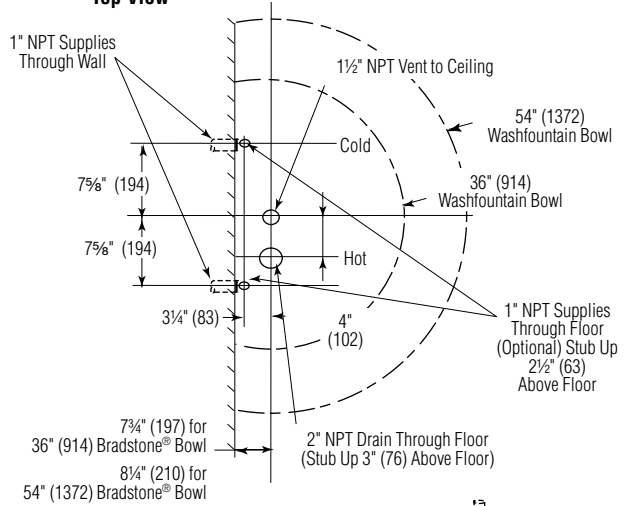
Side View



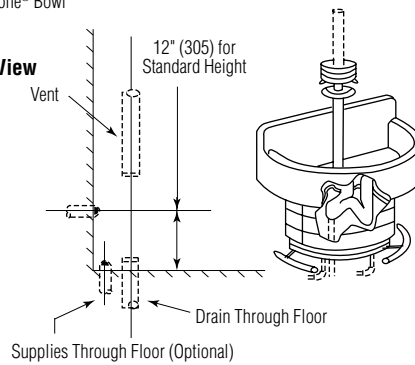
Type H

– Centrally rising vent with supplies from below.

Top View



Side View



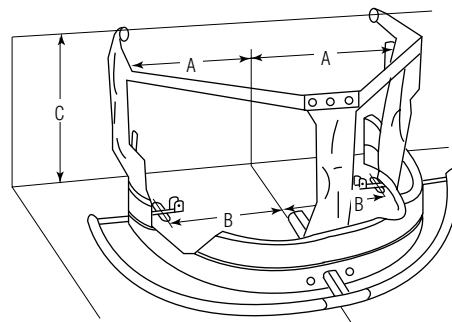
Dimensions – Pedestal Anchoring

(mm)

Model	Bowl Size	Standard Height		
		A	B	C
WF2504	54" (1372)	16 1/2" (419)	14" (356)	18 1/4" (464)
WF2503	36" (914)	11" (279)	8 5/8" (219)	18 1/4" (464)

Anchoring Pedestals

1. Place pedestal assembly as shown.
2. Anchor pedestal assembly to floor and wall with suitable wall fasteners. Backing may be required in some types of wall construction.





S93-571

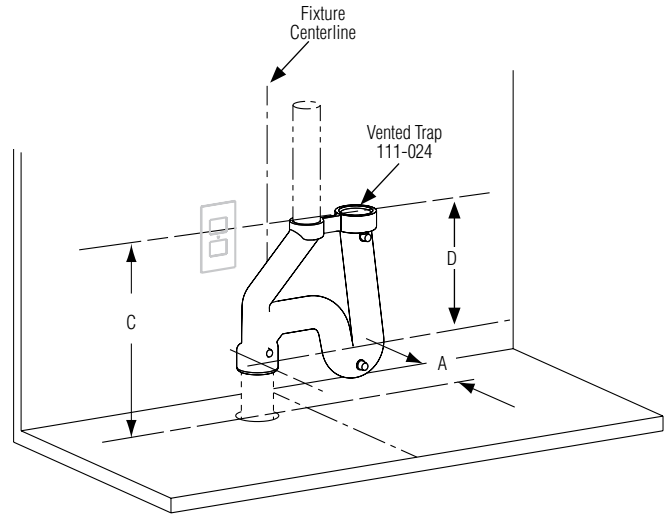
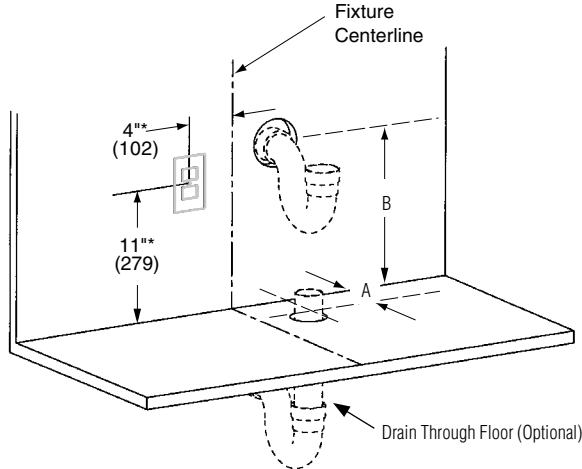
Bradstone® Classic Washfountains

Rough-Ins – Semi-Circular (continued)

(mm)

Types A and O

Types B and H



* Suggested location of 120VAC GFCI electrical outlet when infrared or TouchTime is ordered. Always check local codes before installing. Outlet may be required to be in a remote location.

Model	Bowl Size	A (All Types)	B (Types A & O)	C (Types B & H)	D (Types B & H)
WF2804	54" (1372)	8 1/4" (210)	6 to 11 5/8" (152 to 295)	17" (432)	7" (178)
WF2803	36" (914)	4 3/4" (121)	6 to 13 1/4" (152 to 337)	18 5/8" (473)	7" (178)



S93-571

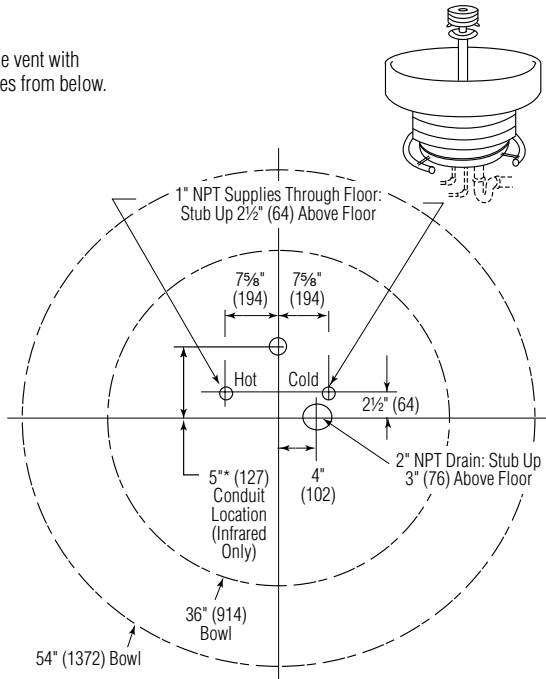
Bradstone® Classic Washfountains

(mm)

Rough-Ins – Circular

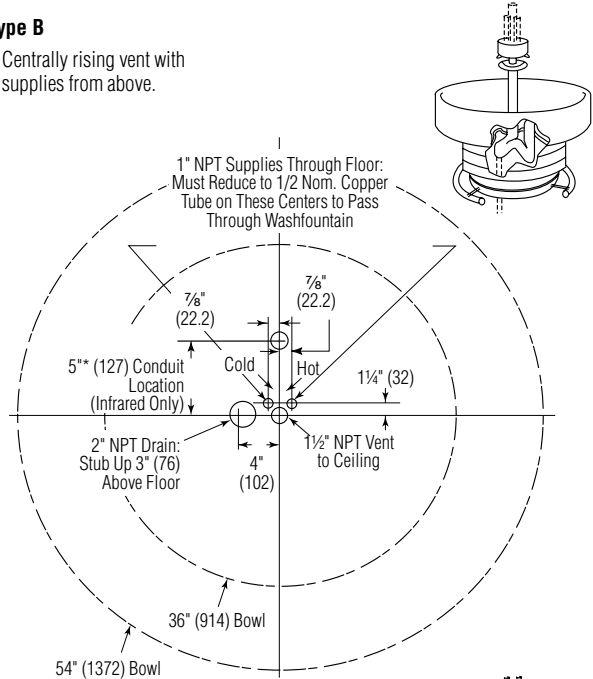
Type A

– Off-line vent with supplies from below.



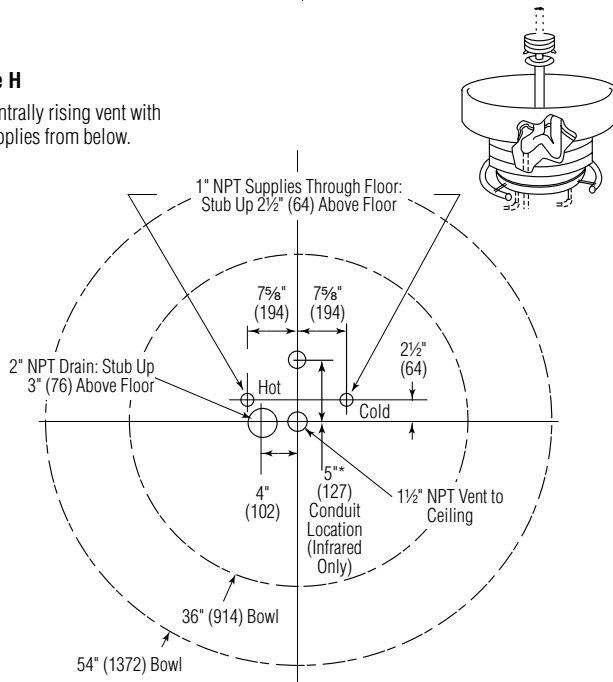
Type B

– Centrally rising vent with supplies from above.



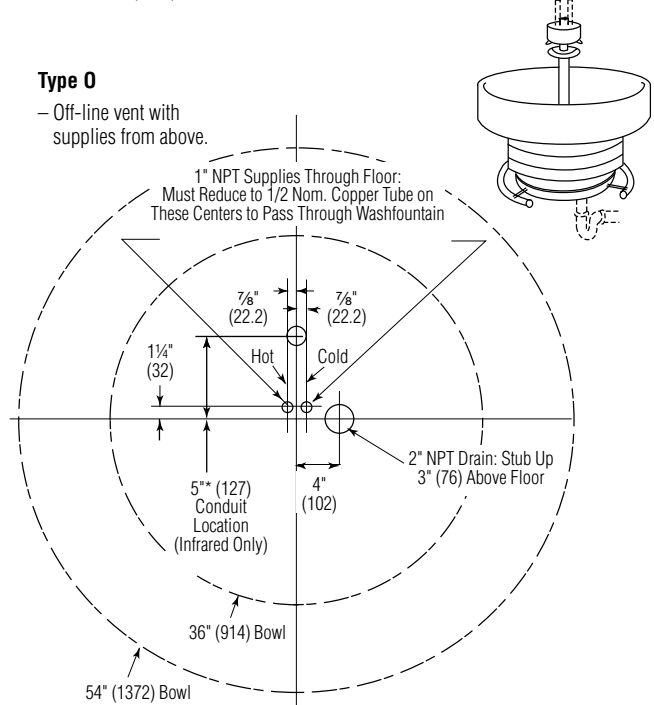
Type H

– Centrally rising vent with supplies from below.



Type O

– Off-line vent with supplies from above.



* Remote mounting of plug-in adapter with 120 VAC electrical supply to washfountain is recommended. See local electrical codes before roughing in. (This conduit location is only a recommendation.)