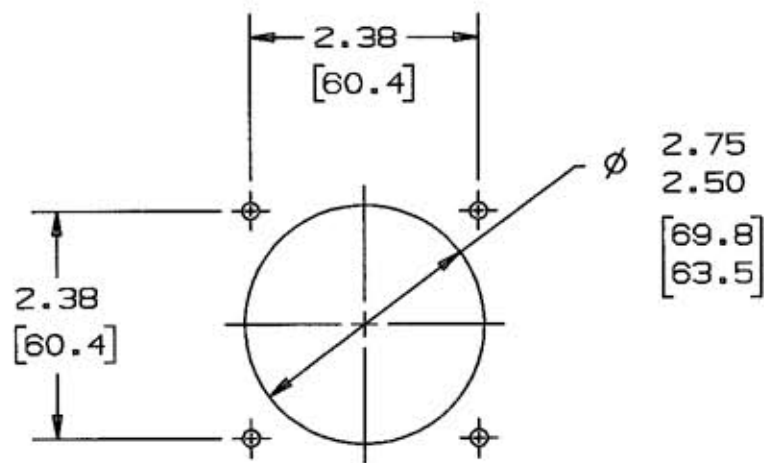
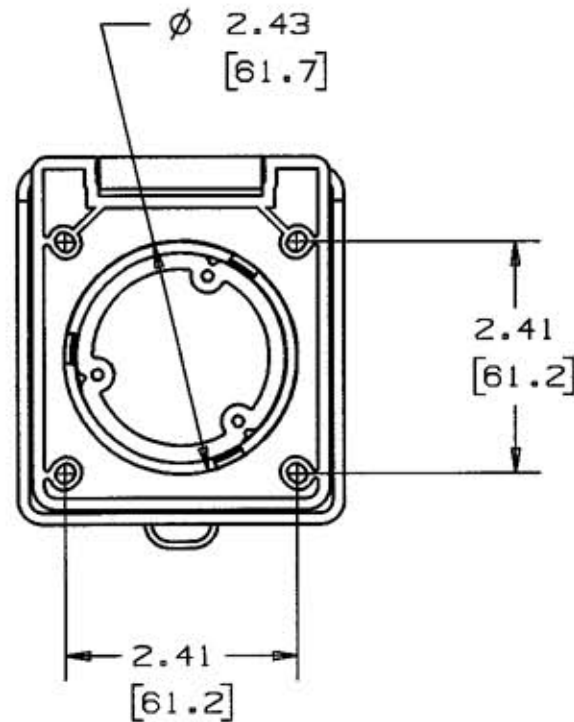
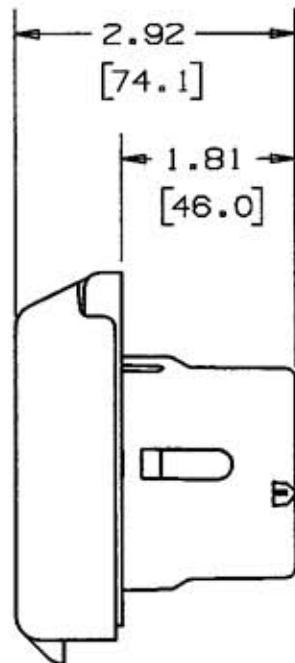
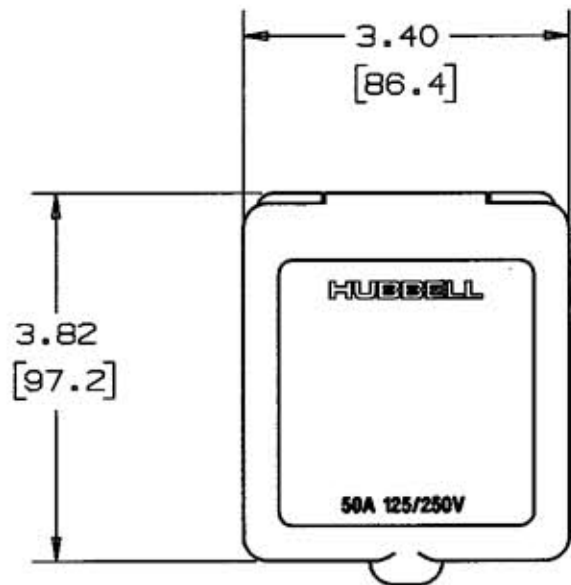


M-7456

3



CUTOUT OPENING

NOTE: INCHES [MM]

LIST OF PARTS

DESCRIPTION	MATERIAL	FINISH
COVER	WEATHERABLE POLYMER	
THREADED BODY	FLAME RETARDANT GLASS REINFORCED POLYESTER	
INTERIOR	NYLON	
BLADES	BRASS	NICKEL PLATE
INTERIOR SCREWS	STAINLESS STEEL	
MOUNTING SCREWS	STAINLESS STEEL	
STRAIN RELIEF	NYLON	
STRAIN RELIEF SCREWS	STAINLESS STEEL	
GASKETS	EDPM FOAM RUBBER	

SYM	REVISIONS	APP	DATE
3	ADDED MM TO DIMS.; REMOVED TOL. FROM DIMS.; ADDED 2.92 DIM. PER DCN #8685 RCM	TCM inc	11/15/01
2	ADDED 3 PL TOL TO DIMS, CAT NO WAS NM 504 PER DCN #7772. AMZ	DB	8/21/00
1	"X" REMOVED; LAST X-REVISION WAS X-0 PER DCN #4139. JMN	JLW	6/7/98

THE DESIGN AND DIMENSIONS OF THE PRODUCT SHOWN ON THIS DRAWING ARE SUBJECT TO CHANGE WITHOUT NOTICE

TITLE
NON-METALLIC SHORE POWER INLET 50A 125/250V

TOLERANCES UNLESS OTHERWISE SPECIFIED	WIRING DEVICE-KELLEMS HUBBELL INCORPORATED BRIDGEPORT, CT	
FRACTIONS ±1/64	DR. BY JMN	APP. BY JLW
DECIMALS ±.005	TR. BY	SCALE .5:1
ANGLES ±2°	CHK'D BY JLW	DATE 6/7/96

DIMENSION SHEET FOR CAT. NO. HBL504NM

REPAIRABLE NON-REPAIRABLE

B

M-7456

3