

## Switched Disconnects and Enclosures

### Non-Metallic Labelless Circuit-Lock<sup>®</sup> Switched Disconnect Enclosures

### Suitable as Motor Disconnects

#### Features

- Constructed from corrosion and impact resistant UV stabilized non-metallic material
- IP69k and Type 4X, 12K water ingress protection
- Certified by NSF for hygiene in food processing applications
- Highly visible red handle which meets OSHA Lockout/Tagout capabilities
- Reversible interior accomodates top or bottom conduit opening

#### Ordering Information

| Description           | UPC Number   | Catalog Number |
|-----------------------|--------------|----------------|
| 60A Disconnect Switch | 783585430706 | HBLDS6         |

#### Listings

cULus Listed  
NSF Certified

#### Specifications

|                         |                            |
|-------------------------|----------------------------|
| Enclosure: Base and Top | PBT                        |
| Handle                  | PBT                        |
| Conduit Hub             | 1¼ in. Zinc                |
| Enclosure Gasket        | Neoprene                   |
| Frame                   | Galvanized Steel           |
| Enclosure Screws        | Stainless Steel 300 Series |
| Shaft (Unfused)         | PBT                        |
| Shaft Seal              | Molded Neoprene            |

#### Performance

|  |  |
|--|--|
| <b>Electrical</b>  |  |
| Current Interrupting                                     | Certified for current interrupting at full rated current and voltage   |
| Dielectric Voltage                                       | Withstands 3000V AC minimum  |
| Max. Working Voltage                                     | 600V AC RMS  |
| Short Circuit Current Ratings (SCCR): (Motor Disconnect) | Suitable for use on a circuit capable of delivering not more than 65kA RMS symmetrical, 600V AC max. when protected by Class J fuses rated 100A max. |

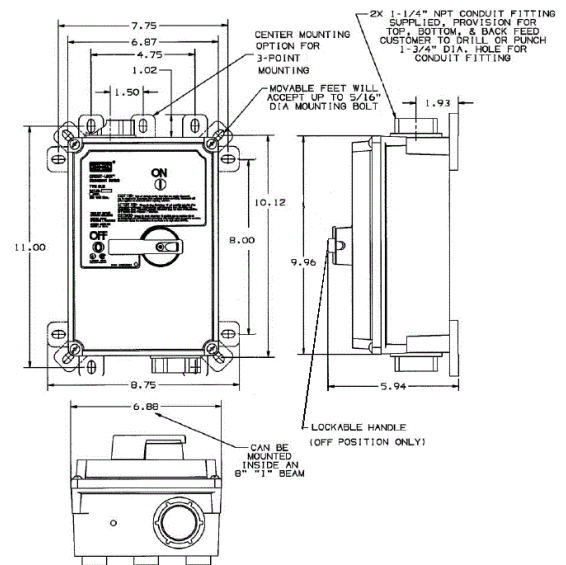
#### Mechanical

|                         |  |
|-------------------------|--|
| Impact Resistance       | In accordance with UL 746C                               |
| Mounting                | External fully adjustable feet                           |
| Terminal Identification | In accordance with UL, CSA and international conventions |

#### Environmental

|                       |   |
|-----------------------|---|
| Flammability          | UL94-5VA and V0 Classification  |
| Moisture Resistance   | Indoor and Outdoor – Type 4X (Wash down, Corrosion resistant); Indoor – Type 12 (Dust-tight, Falling Dirt, Noncorrosive Liquids). |
| Operating Temperature | Max. Continuous: 75°C; Min. Continuous: -40°C without impact  |
| UV Resistance         | All materials are UV stabilized   |

# HUBBELL



#### Complementary Products

|                           |              |
|---------------------------|--------------|
| Replacement Covers        | HBLDS6RC     |
| Replacement Ground Block  | HBL60100RGB  |
| Replacement Neutral Block | HBL60RNB     |
| Replacement Switches      | HBLDS60100RS |
| Replacement Mounting Feet | HBLRFT2      |

#### Online Resources

Customer Use Drawing  
eCatalog  
Installation Instructions

Dimensions in Inches (mm)

Hubbell Wiring Device-Kellems • Hubbell Incorporated (Delaware) • 40 Waterview Drive • Shelton, CT 06484

Phone (800) 288-6000 • Fax (800) 255-1031 • Specifications subject to change without notice.

