

Twist-Lock® Devices 20A, 125V AC, 2 Pole, 3 Wire Grounding Watertight Safety-Shroud® Receptacle

HUBBELL

Features

- UL type 4X environmental seal while in use and when closed
- High impact, thermoplastic housing for heavy-duty industrial environments
- Alignment arrows with lock and unlock symbols provide a visual indication that devices are properly connected
- Catalog number and color coded voltage rating are visible even when in use



Ordering Information

Description	Device Color	UPC	Catalog Number
PBT housing and flange.	Gray	783585231006	HBL2310SW

Listings

Listed to UL 498
Fed.Spec. W-C-596
Certified to CSA C22.2 No.42
UL Listed, CSA Certified to Type 4, 4X and Type 12

Specifications

Housing / Cover	Gray RPT
Terminal Retainer	Clear polycarbonate
Body Contact Carrier	Natural (white) nylon
Drive Screws	Steel, zinc plated
Contacts	Brass
Lift-Cover Spring & Pin	Stainless Steel

Performance

Electrical

Current Interrupting	Certified for current interrupting at full rated current
Dielectric Voltage	Withstands 2,000V minimum

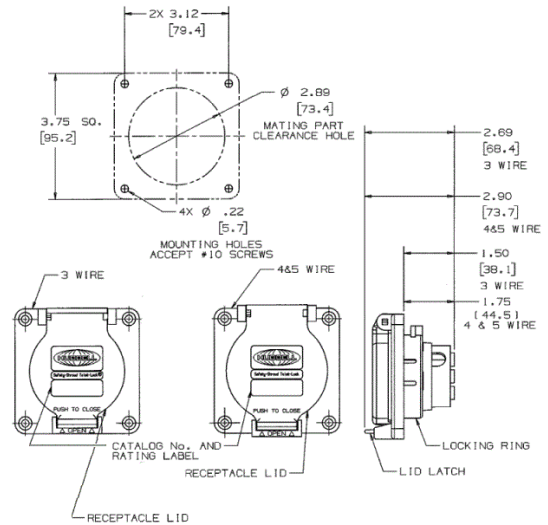
Mechanical

Terminal Accommodation	#16 AWG - #8 AWG solid or stranded copper wire only.
------------------------	--

Terminal Identification	Terminals identified in accordance with UL 498
-------------------------	--

Environmental

Flammability	V2 or better per UL94/CSA 22.2 No.0.17
Moisture Resistance	IP20 Suitability
Operating Temperatures	Maximum Continuous 75°C; Minimum -40°C (w/o impact)



Accessories

Watertight Safety Shroud Plug	HBL2311SW
Non-Metallic Backbox	BB2030N
2-Gang Weatherproof Box	HBL2030AP
Adapter Plate	
Mechanical Interlock	HBLMITL

Resources

Customer Use Drawing
eCatalog

Dimensions in Inches (mm)

Hubbell Wiring Device-Kellems • Hubbell Incorporated (Delaware) • 40 Waterview Drive • Shelton, CT 06484

Phone (800) 288-6000 • Fax (800) 255-1031 • Specifications subject to change without notice.

