

**30 Amp, 125/250 and 3Ø 250 Volts AC**  
**3 Pole, 3 Wire, Non-Grounding and 3 Pole, 4 Wire, Grounding**



30A 125/250V AC NEMA L10-30P	30A 125/250V AC NEMA L14-30P 2 (2) HP	30A 3Ø 250V AC NEMA L15-30P 3 HP
---------------------------------	---	--



**HBL2711SW**

## Plugs

### Watertight Safety-Shroud®

IP66 SUITABILITY    UL Type 4x, 12

Description	Cord Dia.	Catalog Number		
Black Valox® housing, white Valox® clamps.	.350"-1.150" (9-29)	-	<b>HBL2711SW</b>	<b>HBL2721SW</b>

### Safety-Shroud®

IP20 SUITABILITY

Description	Cord Dia.	Catalog Number		
Black and white nylon body, white Valox® shroud. Can be used with the Insulgrip Connector Bodies.	.350"-1.150" (9-29)	-	<b>HBL2711S</b>	<b>HBL2721S</b>

Note: See page B-42 for accessories.

### Insulgrip®

IP20 SUITABILITY

Description	Cord Dia.	Catalog Number		
Black and white nylon.	.350"-1.150" (9-29)	-	<b>HBL2711</b>	<b>HBL2721</b>
Black and white nylon, (Not shown).	.300"-.950" (7.6-24.1)	<b>HBL2661</b>	-	-
Corrosion resistant, yellow nylon.	.350"-1.150" (9-29)	-	<b>HBL27CM11</b>	<b>HBL27CM21</b>
All black nylon.	.350"-1.150" (9-29)	-	<b>HBL2711BK</b>	-

Note: See page B-54 for accessories.



**HBL2711S**

## Flanged Inlets

### Watertight Safety-Shroud®

IP66 SUITABILITY    UL Type 4x, 12

Description	Catalog Number		
Gray Valox® housing and flange.	-	<b>HBL2715SW</b>	<b>HBL2725SW</b>
Reverse service, gray Valox® housing and flange (use with HBL2713SR), (Not shown).	-	<b>HBL2715SWR</b>	-

Note: See page B-56 for accessories.

### Insulgrip®

IP20 SUITABILITY

Description	Catalog Number		
Nylon casing, back wired.	-	<b>HBL2715</b>	<b>HBL2725</b>
Nylon casing, back wired, (Not shown).	<b>HBL2665</b>	-	-
Nylon casing, weather protective, die cast aluminum, back wired, self closing lift cover.	-	<b>HBL2715M3</b>	-

Note: See page B-54 for accessories.

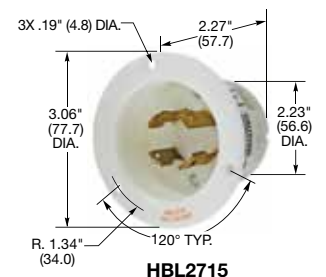
See pages B-71 and B-72 for technical information on Twist-Lock and Watertight Safety-Shroud devices.



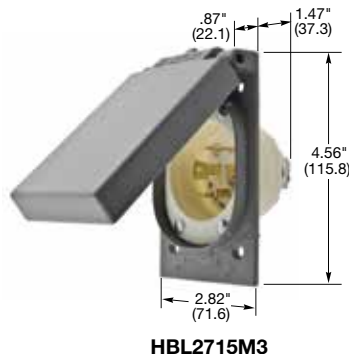
**HBL2711**



**HBL2715SW**



**HBL2715**



**HBL2715M3**

**HBLMITL** - For use with Watertight Safety-Shroud receptacles and reverse service inlet, see page B-43.



Dimensions in Inches (mm)

Valox® is a trademark of SABIC Innovative Plastics, acquired from General Electric Company.