



**ARIENS**  
THE KING OF SNOW

# Deluxe Series Sno-Thro<sup>®</sup>

## Parts Manual

*Models:*

921045  
921046  
921047  
921048  
921049  
921323  
921324  
921325  
921326



# THE MANUAL

---

Before you operate your unit, carefully and completely read manuals supplied with the unit. The contents will provide you with an understanding of safety instructions and controls during normal operation and maintenance.

For your safety and the safety of others always read, understand, and follow all DANGER, WARNING, and CAUTION messages found in manuals and on safety decals.

Hardware descriptions are given in decimals.

Decimals to Fractions			
.063	1/16	.563	9/16
.125	1/8	.625	5/8
.188	3/16	.688	11/16
.250	1/4	.750	3/4
.313	5/16	.813	13/16
.375	3/8	.875	7/8
.438	7/16	.938	15/16
.500	1/2	1.00	1

## SERVICE AND REPLACEMENT PARTS

---

When ordering replacement parts or making service inquiries, know the Model and Serial numbers of your unit and engine.

Numbers are located on the product registration card in the unit literature package. They are printed on a serial number label, located on the frame of your unit.

- Record Unit Model and Serial numbers here:

- Record Engine Model and Serial numbers here:

## UNAUTHORIZED REPLACEMENT PARTS

Use only Ariens replacement parts. The replacement of any part on this vehicle with anything other than an Ariens authorized replacement part may adversely affect the performance, durability, or safety of this unit and may void the warranty. Ariens disclaims liability for any claims or damages, whether warranty, property damage, personal injury or death arising out of the use of unauthorized replacement parts.

# PRODUCT REGISTRATION

---

The Ariens dealer must register the product at the time of purchase. Registering the product will help the company process warranty claims or contact you with the latest service information. All claims meeting requirements during the limited warranty period will be honored, whether or not the product registration card is returned. Keep a proof of purchase if you do not register your unit.

**Customer Note:** If Dealer does not register your product, please fill out, sign and return the product registration card to Ariens or go to [www.ariens.com](http://www.ariens.com).

## YOUR SATISFACTION IS IMPORTANT

---

Questions? Please follow these helpful steps:

1. Refer to the manuals supplied with your unit.  
They will guide you through safe and proper operation and maintenance.  
They contain specifications on your unit.  
If your questions are not answered in these manuals, go to step number two.

2. Contact Your Dealer.  
Our dealers will be happy to supply any service or advice required to keep your unit operating at peak efficiency.

A factory trained staff is available to support your equipment needs. They stock genuine Ariens parts and lubricants manufactured with the same precision and skill as the original.

If your questions are not resolved by the support staff, ask for the manager or owner.

When contacting your Dealer supply your model and serial numbers.

## TO SPEED PARTS ORDERING:

1. Know the model and serial numbers of your unit.
2. Know the part number required.
3. Know the quantity required.
4. Know the part description.

# MODELS

---

**Model 921045 (Deluxe 24)**

Serial No. 000101 +

**Model 921046 (Deluxe 28)**

Serial No. 000101 +

**Model 921047 (Deluxe 30)**

Serial No. 000101 +

**Model 921048 (Deluxe 28 SHO)**

Serial No. 000101 +

**Model 921049 (Deluxe 30 EFI)**

Serial No. 000101 +

**Model 921323 (Deluxe 24 CE)**

Serial No. 000101 +

**Model 921324 (Deluxe 28 CE)**

Serial No. 000101 +

**Model 921325 (Deluxe 30 CE)**

Serial No. 000101 +

**Model 921326 (Deluxe 28 CE Track)**

Serial No. 000101 +

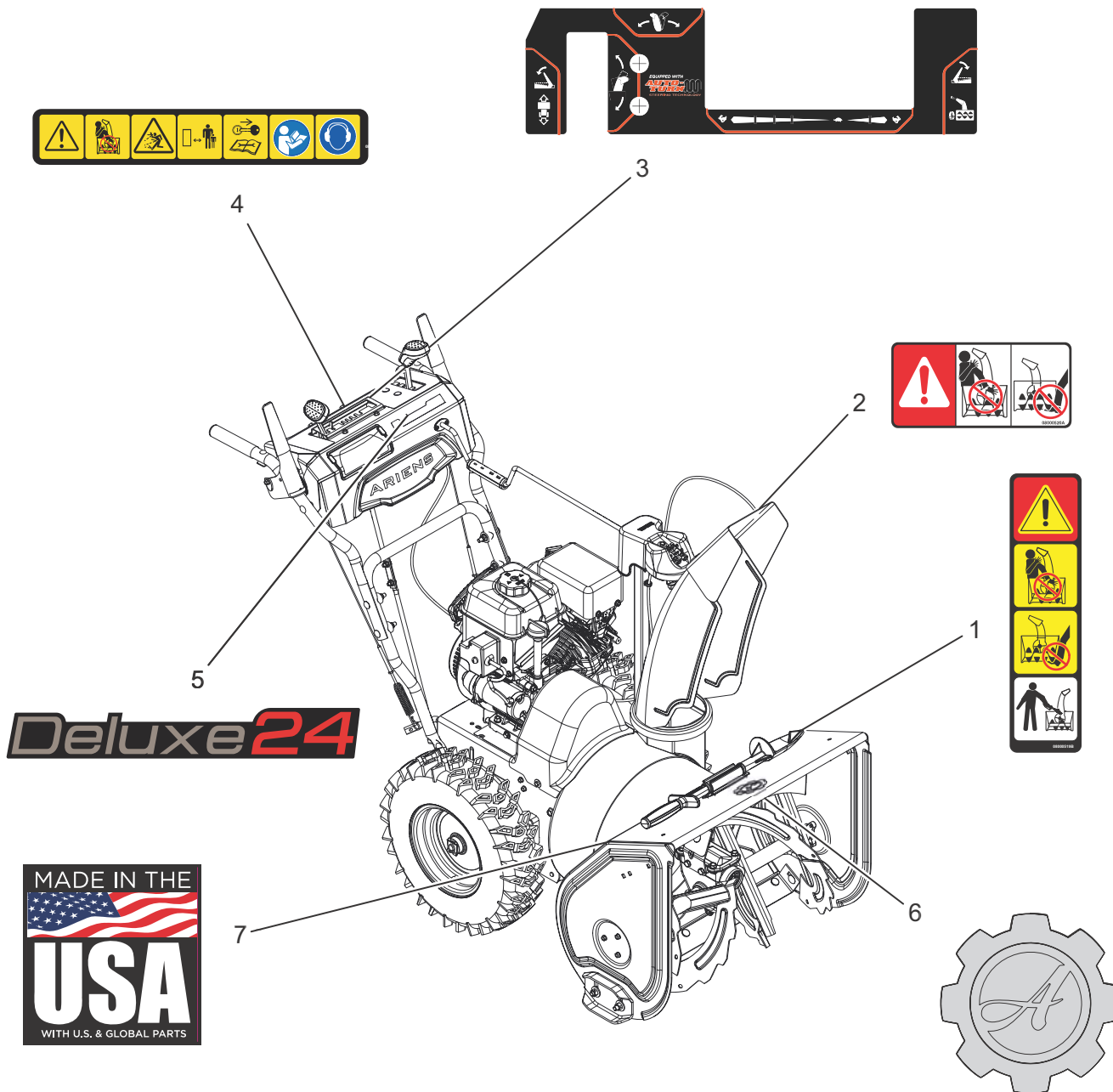
# TABLE OF CONTENTS

---

Decals – 24" .....	4
Decals – 28" .....	5
Decals – 28" SHO.....	6
Decals – 30" EFI.....	7
Decals – 24" CE .....	8
Decals – 28" CE .....	9
Decals – 28" CE Track .....	10
Decals – 30" .....	11
Engine, Frame and Belt Drive – AX 254.....	12
Engine, Frame and Belt Drive – AX 306.....	13
Engine, Frame and Belt Drive – AX 306 (SHO) .....	14
Engine, Frame and Belt Drive – AX 306 EFI .....	15
Engine, Frame and Belt Drive – AX 254 CE.....	16
Engine, Frame and Belt Drive – AX 291 CE.....	17
Engine, Frame and Belt Drive – AX 369 CE.....	18
Engine, Frame and Belt Drive – Track – AX 369 CE.....	19
Friction Drive and Swing Gate.....	20
Friction Drive and Swing Gate – Track.....	21
Idlers and Brake .....	22
Wheels and Axles.....	23
Track.....	24
Track Axles.....	25
Track Controls .....	26
Gear Case .....	27
Handlebars .....	28
Handlebars – Heated Hand Grips .....	29
Controls .....	30
Track - Controls .....	32
Dash .....	33
Dash – EFI.....	35
Track – Dash .....	36
Discharge Chute.....	37
Discharge Chute Controls – Crank.....	38
Discharge Chute Controls – Crank .....	39
Discharge Chute – Track.....	40
Auger and Impeller – 24" .....	41
Auger and Impeller – 28" .....	42
Auger and Impeller – 30" .....	43
Housing – 24" .....	44
Housing – 28" .....	45
Housing – 30" .....	46
Electrical – EFI .....	47
Electrical and Wiring Diagram – Headlight .....	48
Electrical and Wiring Diagram – Headlight & Heated Hand Grips	49
Switch – Diagram .....	50

# DECALS – 24"

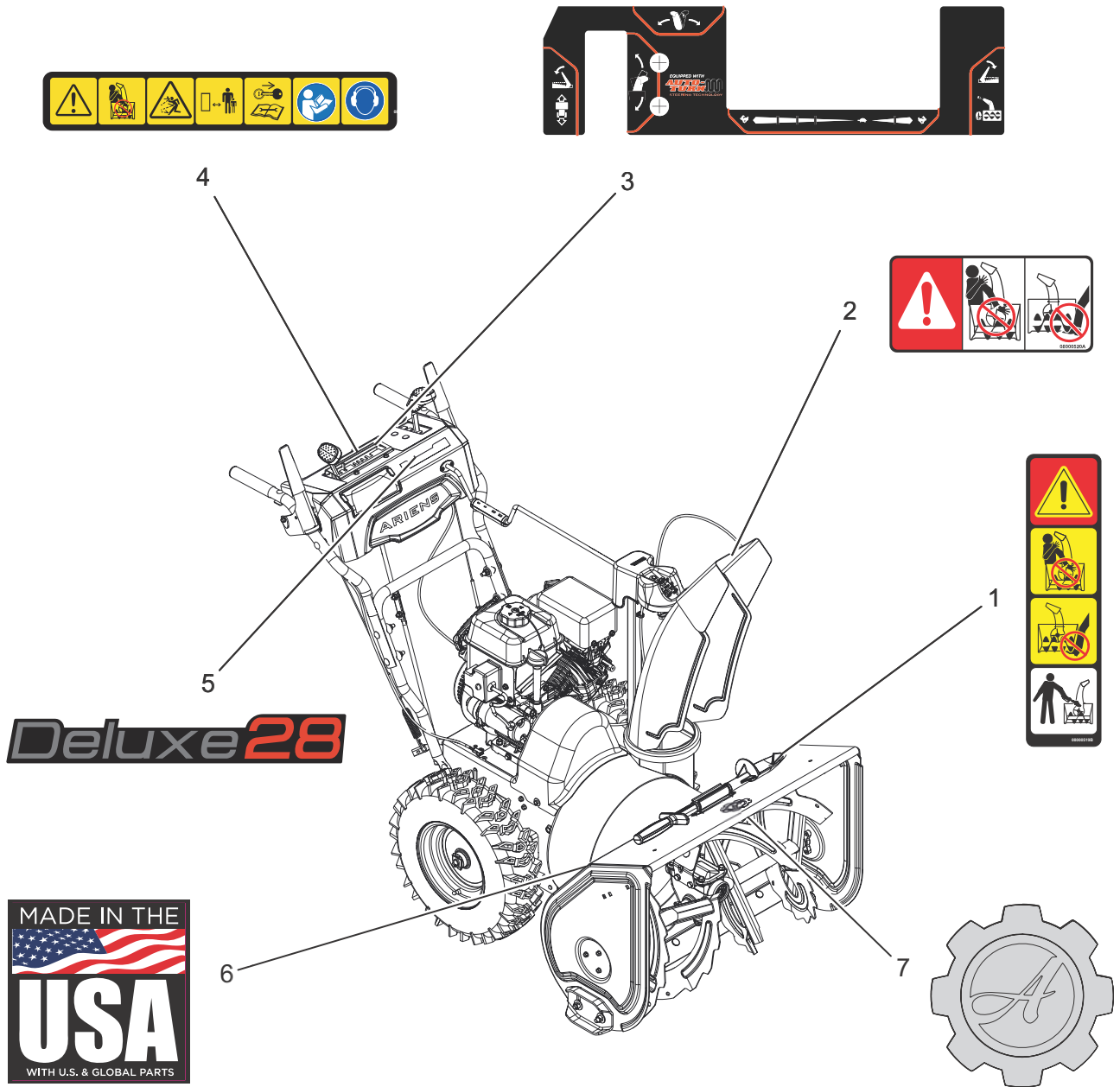
Model 921045



BOM ID	Number	Qty	Description
1	08000519	1	DECAL, DANGER -ROTATING PARTS
2	08000520	1	DECAL, DANGER
3	08000941	1	DECAL, CONTROL -SML, AT, ID
4	08000945	1	DECAL, SAFETY DASH
5	08001017	1	DECAL, DASH - DELUXE 24
6	08001034	1	DECAL, ARIENS - GEAR BADGE
7	08001038	1	DECAL, MADE IN USA

# DECALS – 28"

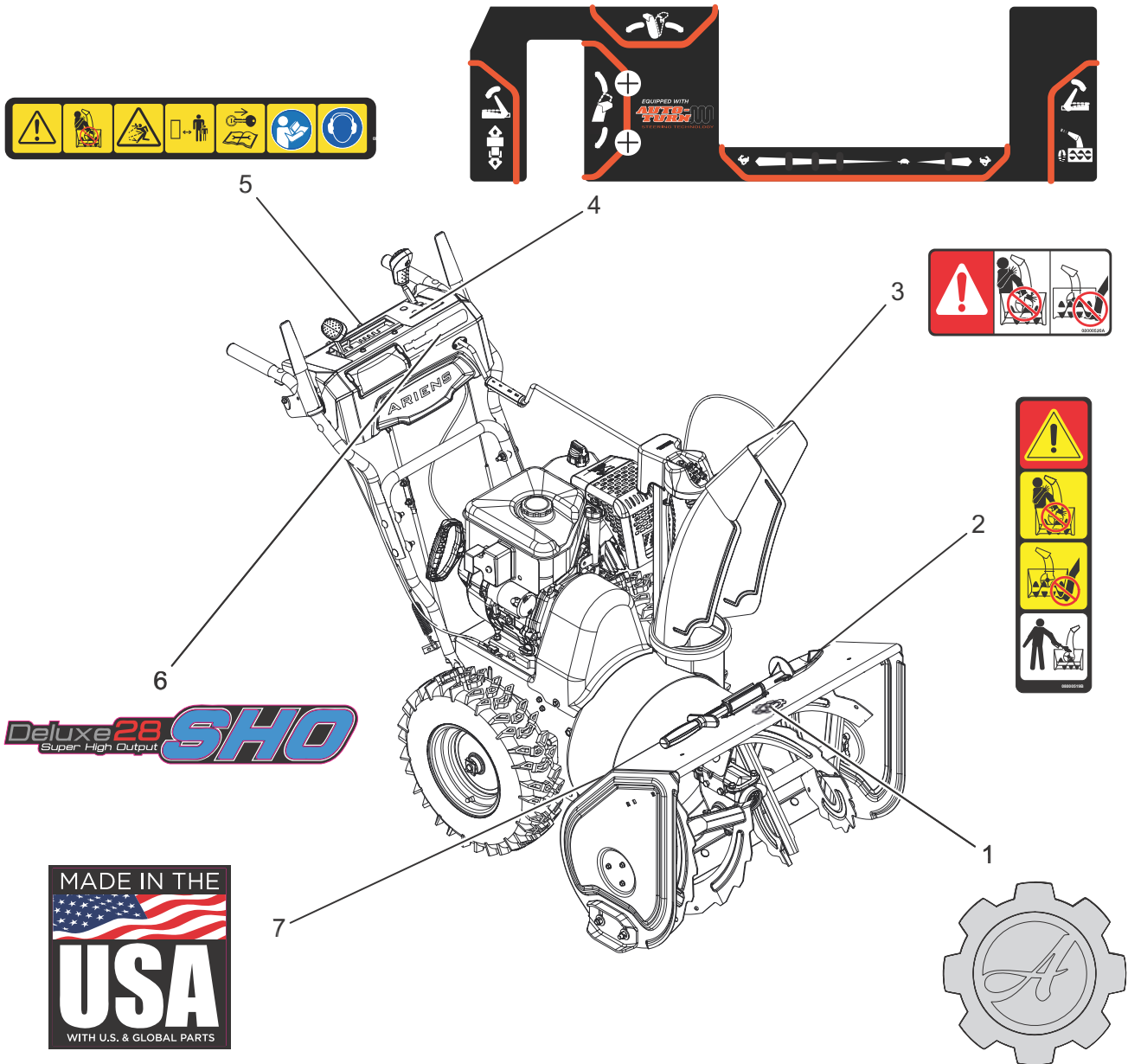
Model 921046



BOM ID	Number	Qty	Description
1	08000519	1	DECAL, DANGER -ROTATING PARTS
2	08000520	1	DECAL, DANGER
3	08000941	1	DECAL, CONTROL -SML, AT, ID
4	08000945	1	DECAL, SAFETY DASH
5	08001018	1	DASH, DECAL - DELUXE 28
6	08001038	1	DECAL, MADE IN USA
7	08001034	1	DECAL, ARIENS - GEAR BADGE

# DECALS – 28" SHO

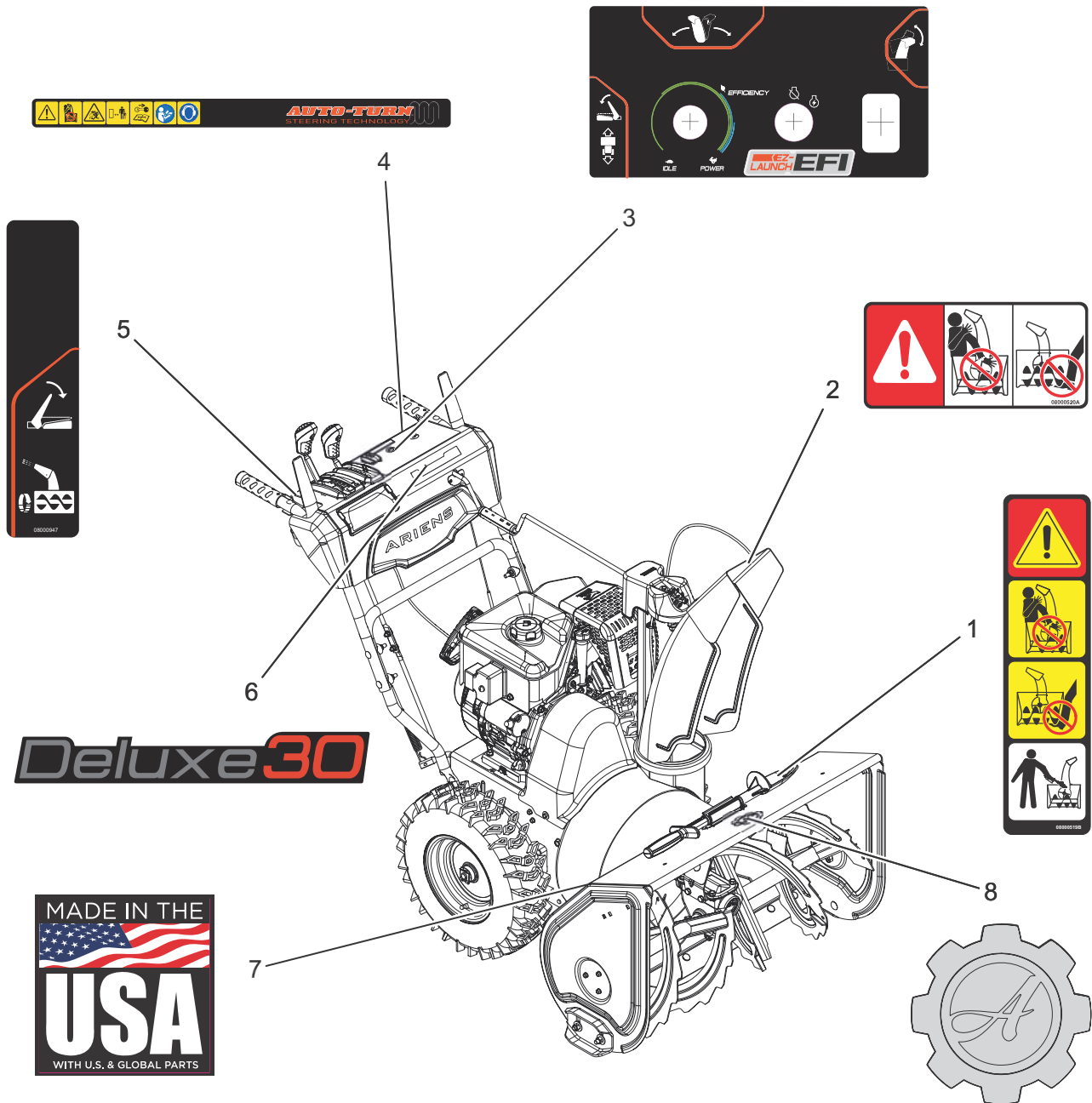
Model 921048



BOM ID	Number	Qty	Description
1	08001034	1	DECAL, ARIENS - GEAR BADGE
2	08000519	1	DECAL, DANGER -ROTATING PARTS
3	08000520	1	DECAL, DANGER
4	08000941	1	DECAL, CONTROL -SML, AT, ID
5	08000945	1	DECAL, SAFETY DASH
6	08001020	1	DECAL, SMALL DASH - DLX 28 SHO
7	08001038	1	DECAL, MADE IN USA

# DECALS – 30" EFI

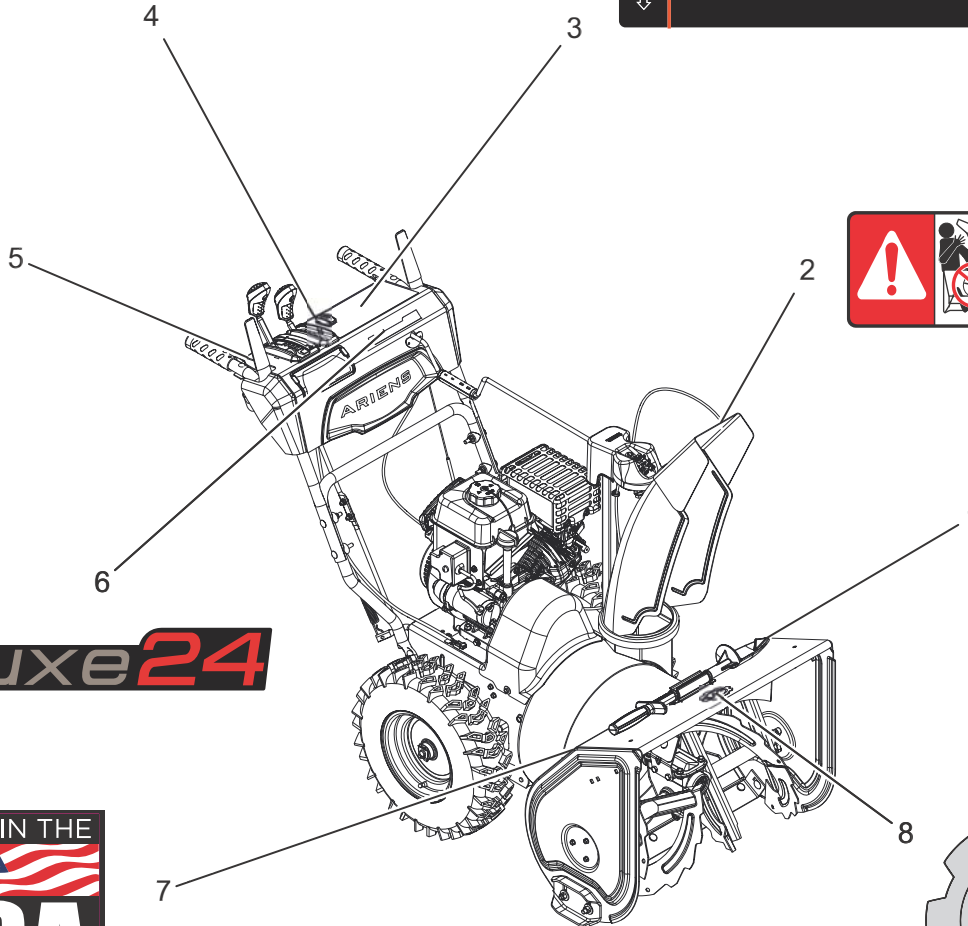
Model 921049



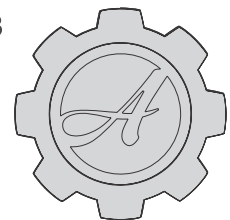
BOM ID	Number	Qty	Description
1	08000519	1	DECAL, DANGER -ROTATING PARTS
2	08000520	1	DECAL, DANGER
3	07800807	1	DECAL, CONTROL - ID EFI W/GEL
4	08001114	1	DECAL, SAFETY DASH
5	08000947	1	DECAL, CONTROL - RH CONTROL
6	08001019	1	DECAL, DASH - DELUXE 30
7	08001038	1	DECAL, MADE IN USA
8	08001034	1	DECAL, ARIENS - GEAR BADGE

# DECALS – 24" CE

Model 921323



**Deluxe24**

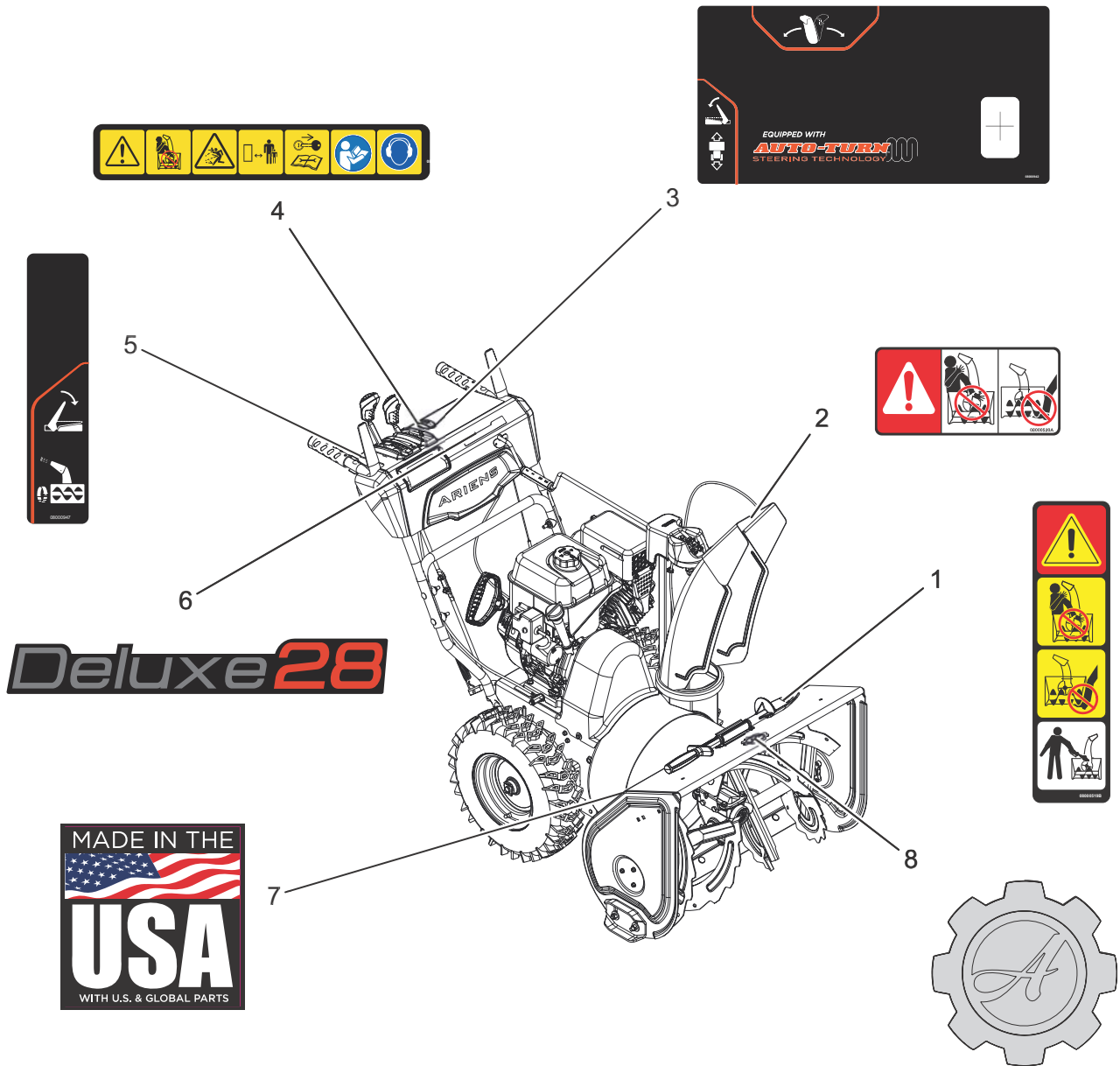


BOM ID	Number	Qty	Description
1	08000519	1	DECAL, DANGER -ROTATING PARTS
2	08000520	1	DECAL, DANGER
3	08000942	1	DECAL, CONTROL - LG ID
4	08000945	1	DECAL, SAFETY DASH
5	08000947	1	DECAL, CONTROL - RH CONTROL
6	08001017	1	DECAL, DASH - DELUXE 24
7	08001038	1	DECAL, MADE IN USA
8	08001034	1	DECAL, ARIENS - GEAR BADGE



# DECALS – 28" CE

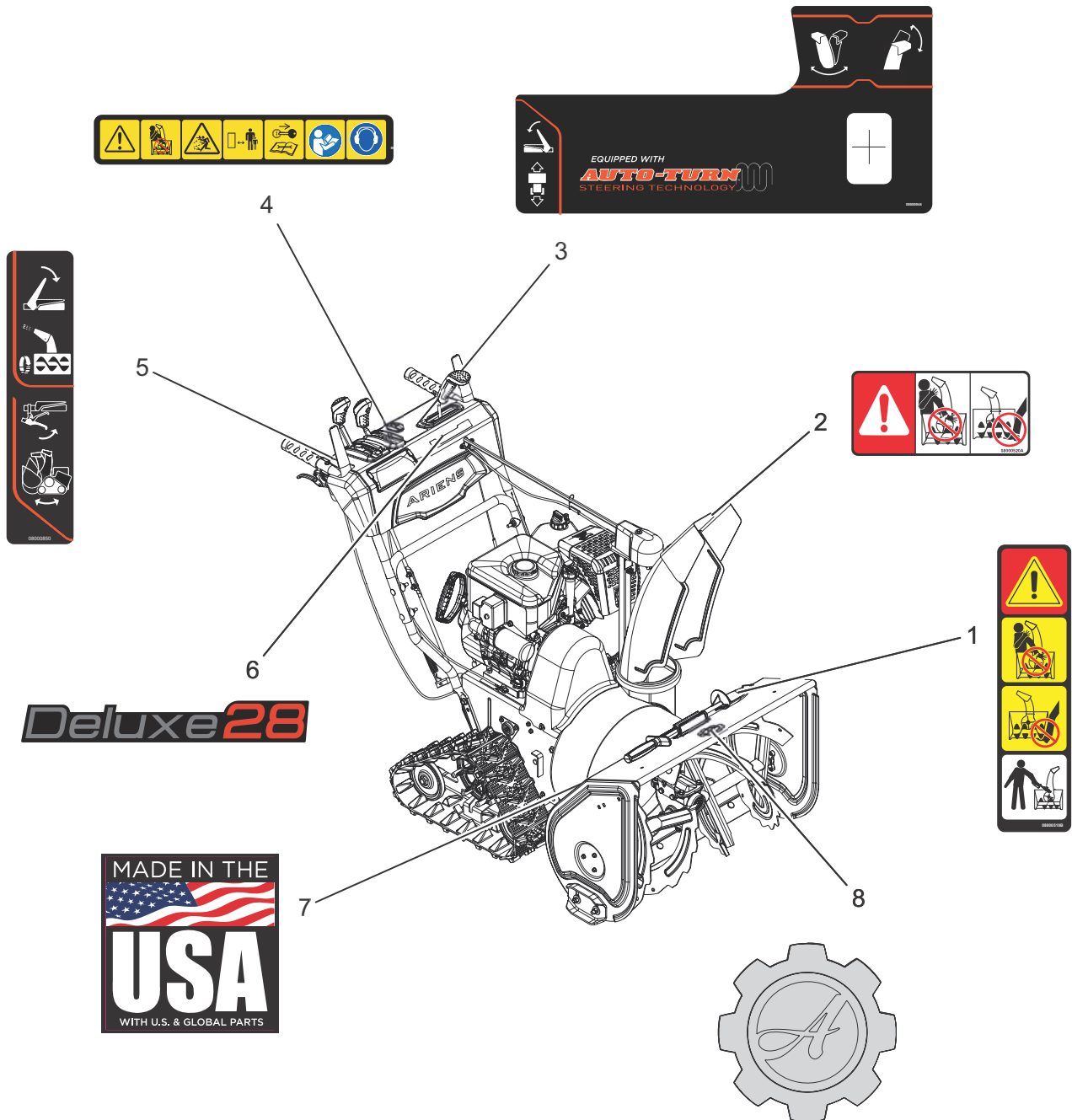
Model 921324



BOM ID	Number	Qty	Description
1	08000519	1	DECAL, DANGER -ROTATING PARTS
2	08000520	1	DECAL, DANGER
3	08000942	1	DECAL, CONTROL - LG ID
4	08000945	1	DECAL, SAFETY DASH
5	08000947	1	DECAL, CONTROL - RH CONTROL
6	08001018	1	DASH, DECAL - DELUXE 28
7	08001038	1	DECAL, MADE IN USA
8	08001034	1	DECAL, ARIENS - GEAR BADGE

# DECALS – 28" CE TRACK

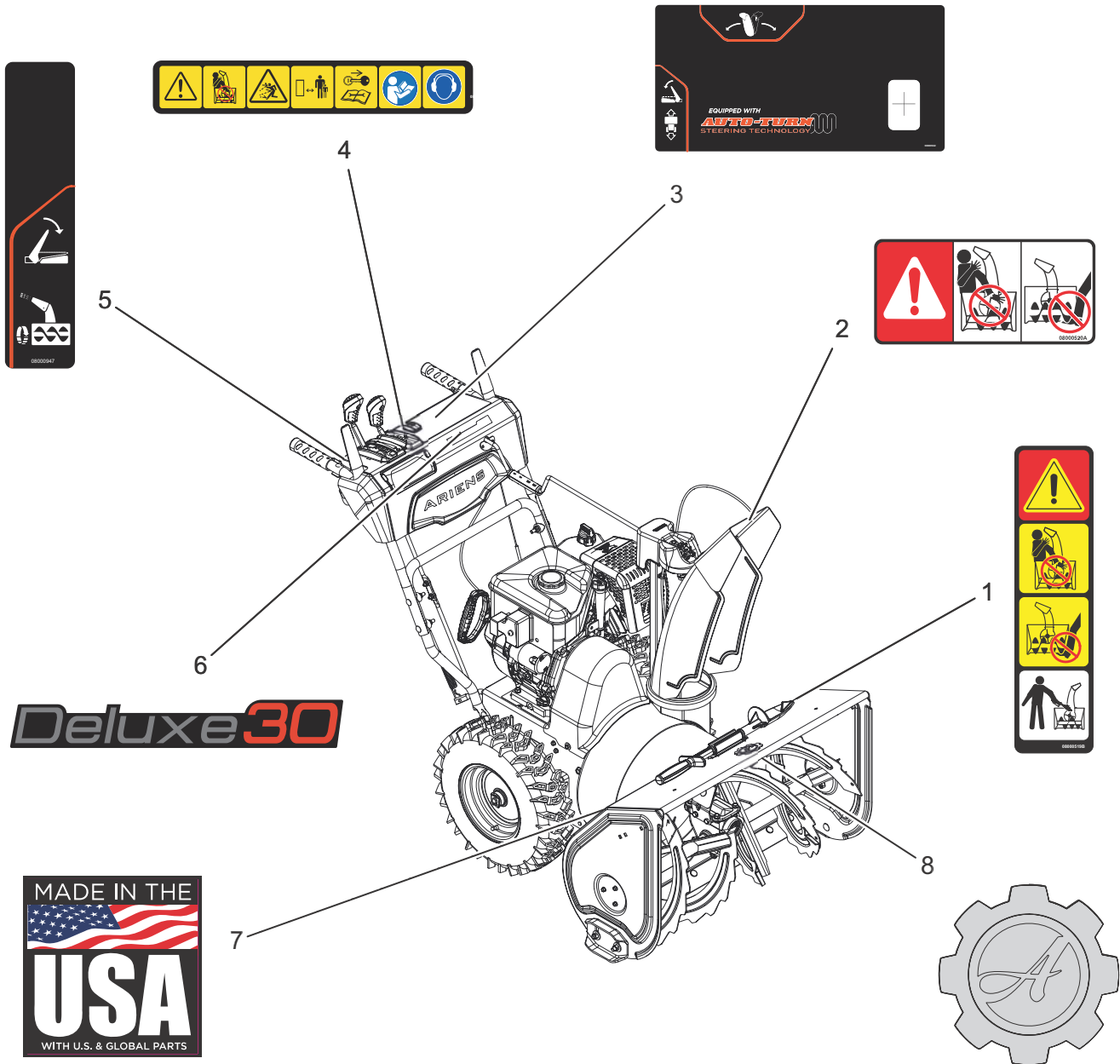
Model 921326



BOM ID	Number	Qty	Description
1	08000519	1	DECAL, DANGER -ROTATING PARTS
2	08000520	1	DECAL, DANGER
3	08000944	1	DECAL, CONTROL - LG QT2
4	08000945	1	DECAL, SAFETY DASH
5	08000850	1	DECAL, CONTROL - TRACK, RIGHT HAND
6	08001018	1	DASH, DECAL - DELUXE 28
7	08001038	1	DECAL, MADE IN USA
8	08001034	1	DECAL, ARIENS - GEAR BADGE

# DECALS – 30"

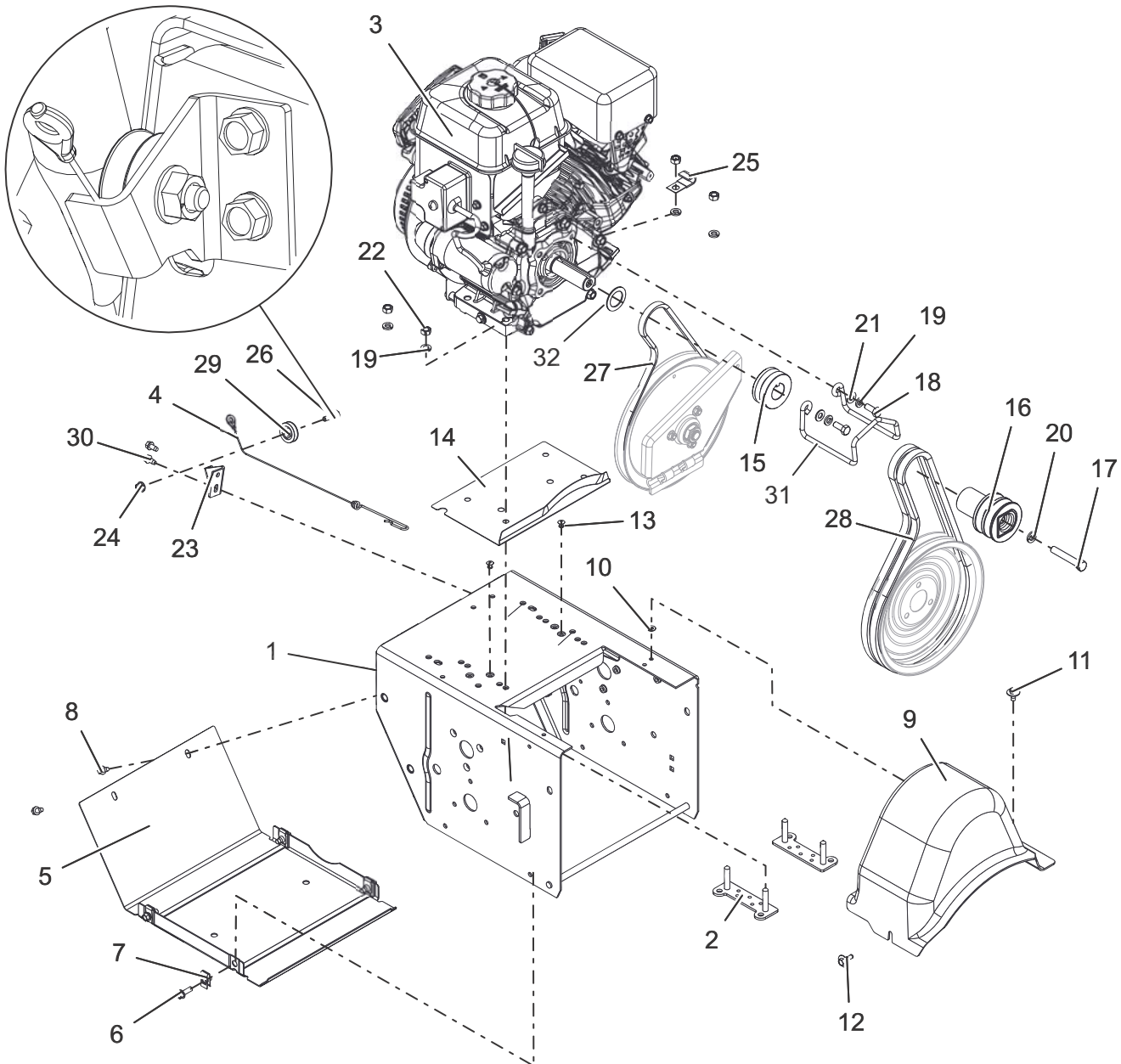
Models 921047, 325



BOM ID	Number	Qty	Description
1	08000519	1	DECAL, DANGER -ROTATING PARTS
2	08000520	1	DECAL, DANGER
3	08000942	1	DECAL, CONTROL - LG ID
4	08000945	1	DECAL, SAFETY DASH
5	08000947	1	DECAL, CONTROL - RH CONTROL
6	08001019	1	DECAL, DASH - DELUXE 30
7	08001038	1	DECAL, MADE IN USA
8	08001034	1	DECAL, ARIENS - GEAR BADGE

# ENGINE, FRAME AND BELT DRIVE – AX 254

Models 921045, 046

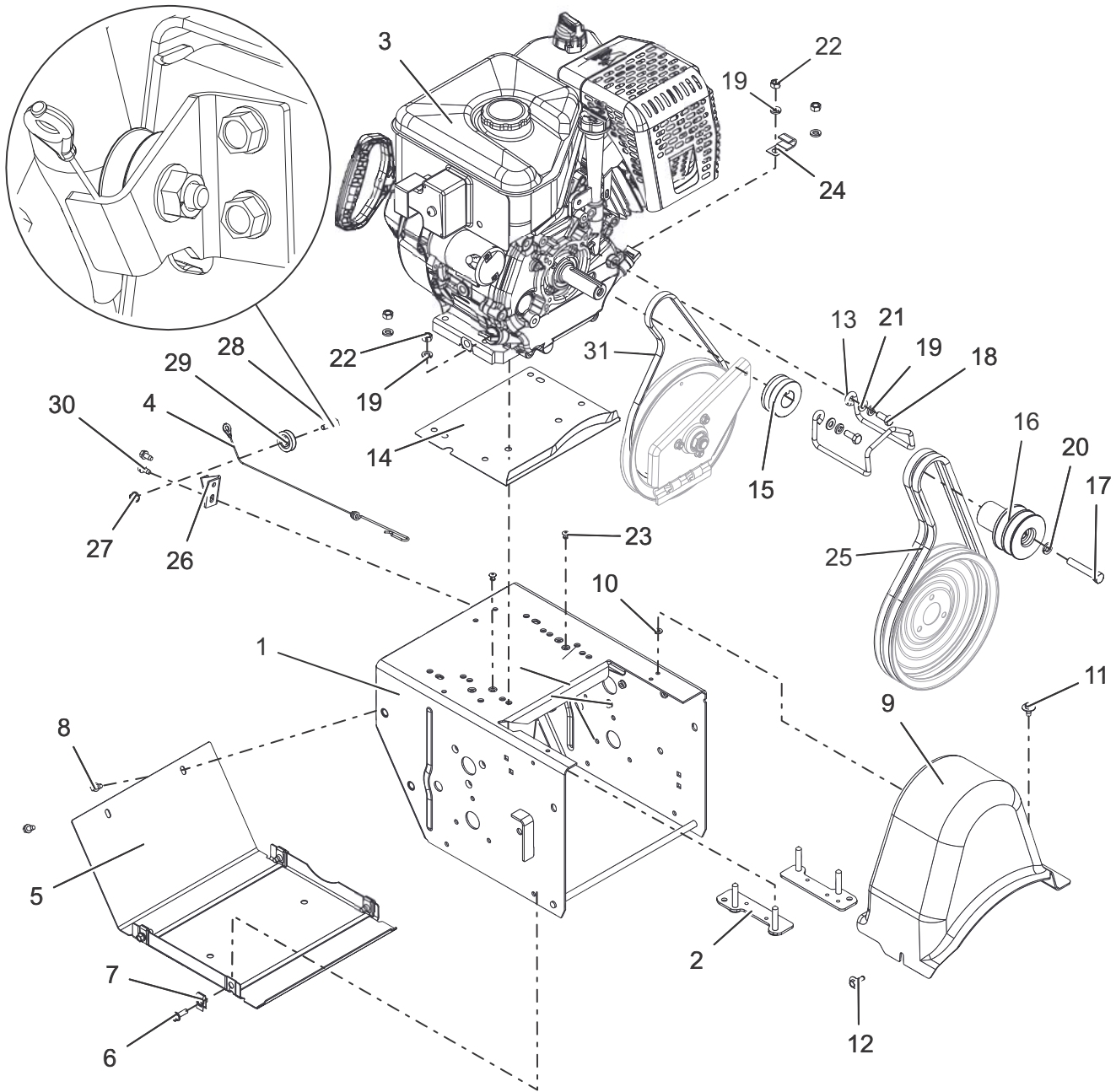


BOM ID	Number	Qty	Description
1	04984659	1	FRAME, MAIN - DELUXE (ORANGE)
2	04999800	2	STRAP, BOLT - SMALL ENGINE (3.125)
3	08201024	1	ENGINE, AX254 GEN2 120V/60W
4	06900503	1	CABLE, TRACTION LOWER (SS & PRO)
5	00375159	1	COVER, BOTTOM
6	05900019	4	BLT-HEX .25-20X.75 HWH YWZC GR5
7	07009000	4	NUT, RTNR .25-20 X .56
8	07400034	2	SCR-TAP .25-20X.50 HWH TR YWZ
9	04989200	1	COVER, BELT - SMALL
10	07027600	1	NUT, PUSH .25X.50 O.D.
11	07400104	1	SCR, TAP .25-20X.50 LGHWH TR
12	07400108	1	SCR, TAP .25-20 X.5 CAPTIVE
13	06800028	2	RVT-POP .187x.250 (#64) YWZC
14	04985351	1	BAFFLE, WATER - SMALL BLOCK (BLACK)
15	04999200	1	SHEAVE, DRIVE
16	04999300	1	SHEAVE, ATTACHMENT 2-GRV
17	05901307	1	BLT-HEX .38-24X2.25 YWZC GR5

BOM ID	Number	Qty	Description
18	05947300	2	BLT-HEX .31-24X.75 GR5 YWZC
19	06307400	6	WSHR-LK .31X.097 HVY YWZC
20	06308800	1	WSHR-LK .38X.094 REG YWZC
21	06437200	2	WSHR-FL-STL.344X.688X.065YWZC
22	06529200	4	NUT-HEX .31-18 YWZC
23	00373051	1	BRKT, CABLE PULLEY
24	06543500	1	NUT, LK-TOP-FLG .25-20 YWZC
25	06909400	1	CLAMP, J
26	07000021	1	BOLT, SHLDR -.375 X .375 X .25-20
27	07200739	1	V-BELT, 3L-WRAPPED CLUTCHING
28	07200802	1	V-BELT, HA-RAW EDGE (SET)
29	07300012	1	PULLEY, CABLE
30	07400034	2	SCR-TAP .25-20X.50 HWH TR YWZ
31	02968300	1	FINGER, BELT
32	06436300	1	WSHR-FL-STL 1.010X1.505X.062 YWZC

# ENGINE, FRAME AND BELT DRIVE – AX 306

Model 921047

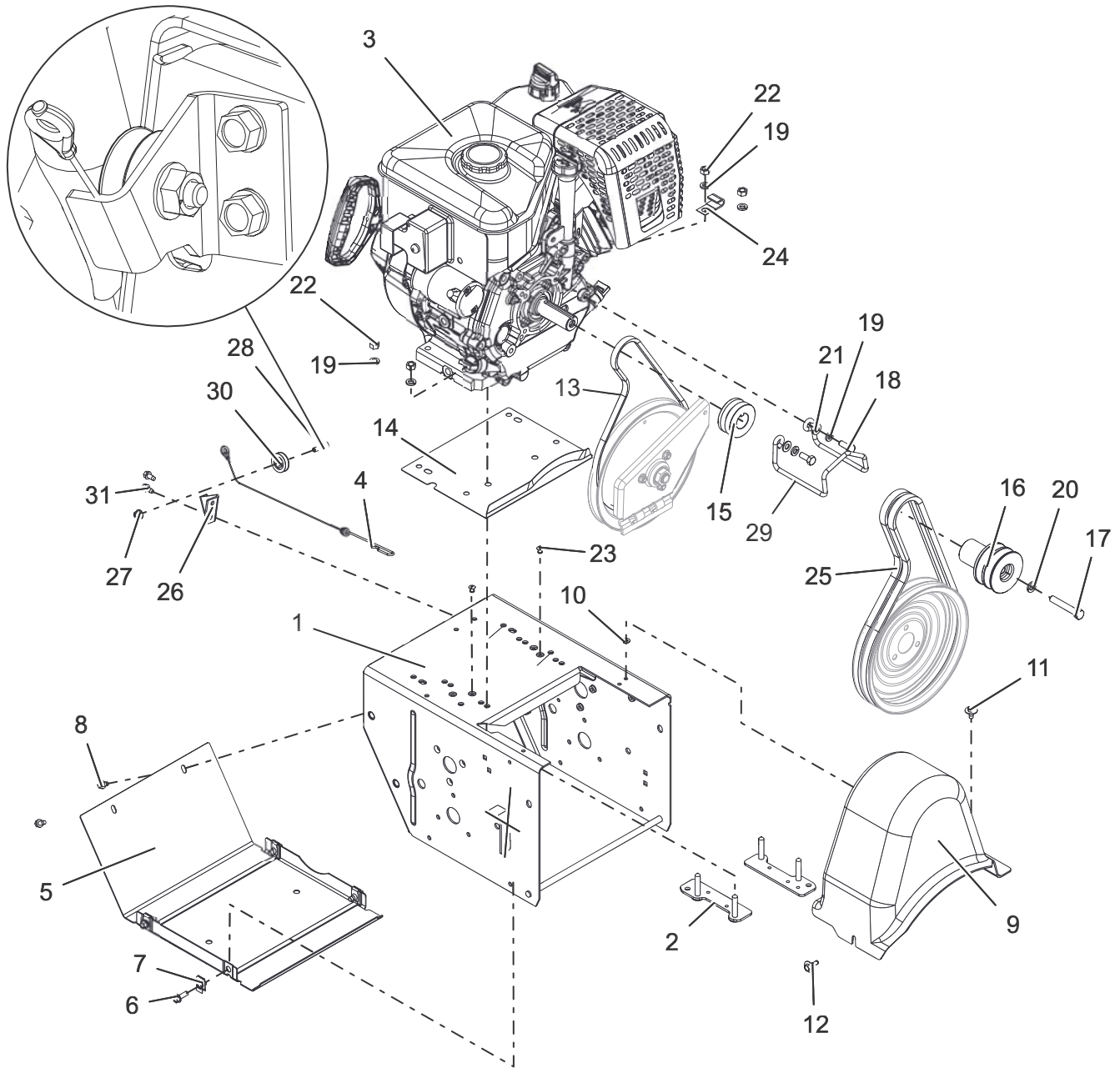


BOM ID	Number	Qty	Description
1	04984659	1	FRAME, MAIN - DELUXE (ORANGE)
2	04999700	2	STRAP, BOLT - MEDIUM ENGINE (3.189)
3	08201019	1	ENGINE, AX306 GEN3 120V/60W
4	06900503	1	CABLE, TRACTION LOWER (SS & PRO)
5	00375159	1	COVER, BOTTOM
6	05900019	4	BLT-HEX .25-20X.75 HWH YWZC GR5
7	07009000	4	NUT, RTNR .25-20 X .56
8	07400034	2	SCR-TAP .25-20X.50 HWH TR YWZ
9	04989100	1	COVER, BELT - LARGE
10	07027600	1	NUT, PUSH .25X.50 O.D.
11	07400104	1	SCR, TAP .25-20X.50 LGHWH TR
12	07400108	1	SCR, TAP .25-20 X.5 CAPTIVE
13	02968300	1	FINGER, BELT
14	04990851	1	BAFFLE, WATER - LARGE BLOCK (BLACK)
15	04999200	1	SHEAVE, DRIVE
16	00657400	1	SHEAVE, ATTACHMENT - 2 GRV

BOM ID	Number	Qty	Description
17	05901307	1	BLT-HEX .38-24X2.25 YWZC GR5
18	05947300	2	BLT-HEX .31-24X.75 GR5 YWZC
19	06307400	6	WSHR-LK .31X.097 HVY YWZC
20	06308800	1	WSHR-LK .38X.094 REG YWZC
21	06437200	2	WSHR-FL-STL.344X.688X.065YWZC
22	06529200	4	NUT-HEX .31-18 YWZC
23	06800028	2	RVT-POP .187x.250 (#64) YWZC
24	06909400	1	CLAMP, J
25	07200608	1	V-BELT, HA-RAW EDGE (SET)
26	00373051	1	BRKT, CABLE PULLEY
27	06543500	1	NUT, LK-TOP-FLG .25-20 YWZC
28	07000021	1	BOLT, SHLDR -.375 X .375 X .25-20
29	07300012	1	PULLEY, CABLE
30	07400034	2	SCR-TAP .25-20X.50 HWH TR YWZ
31	07200101	1	V-BELT, 3L-WRAPPED CLUTCHING

# ENGINE, FRAME AND BELT DRIVE – AX 306 (SHO)

Model 921048

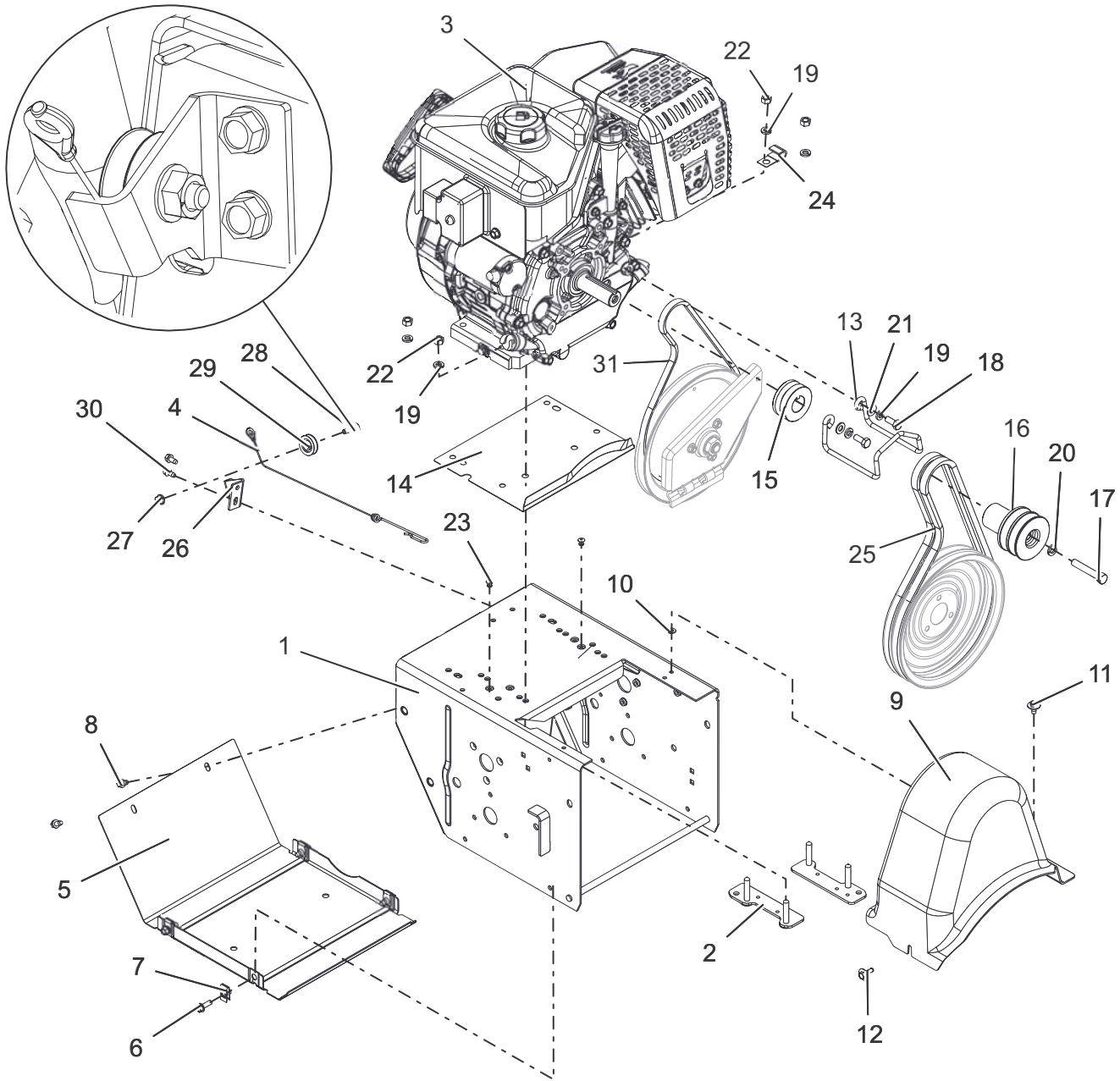


BOM ID	Number	Qty	Description
1	04984659	1	FRAME, MAIN - DELUXE (ORANGE)
2	04999700	2	STRAP, BOLT - MEDIUM ENGINE (3.189)
3	08201019	1	ENGINE, AX306 GEN3 120V/60W
4	06900503	1	CABLE, TRACTION LOWER (SS & PRO)
5	00375159	1	COVER, BOTTOM
6	05900019	4	BLT-HEX .25-20X.75 HWH YWZC GR5
7	07009000	4	NUT, RTNR .25-20 X .56
8	07400034	2	SCR-TAP .25-20X.50 HWH TR YWZ
9	04989100	1	COVER, BELT - LARGE
10	07027600	1	NUT, PUSH .25X.50 O.D.
11	07400104	1	SCR, TAP .25-20X.50 LGHWH TR
12	07400108	1	SCR, TAP .25-20 X.5 CAPTIVE
13	07200101	1	V-BELT, 3L-WRAPPED CLUTCHING
14	04990851	1	BAFFLE, WATER - LARGE BLOCK (BLACK)
15	04999200	1	SHEAVE, DRIVE
16	00657400	1	SHEAVE, ATTACHMENT - 2 GRV

BOM ID	Number	Qty	Description
17	05901307	1	BLT-HEX .38-24X2.25 YWZC GR5
18	05947300	2	BLT-HEX .31-24X.75 GR5 YWZC
19	06307400	6	WSHR-LK .31X.097 HVY YWZC
20	06308800	1	WSHR-LK .38X.094 REG YWZC
21	06437200	2	WSHR-FL-STL.344X.688X.065YWZC
22	06529200	4	NUT-HEX .31-18 YWZC
23	06800028	2	RVT-POP .187x.250 (#64) YWZC
24	06909400	1	CLAMP, J
25	07200608	1	V-BELT, HA-RAW EDGE (SET)
26	00373051	1	BRKT, CABLE PULLEY
27	06543500	1	NUT, LK-TOP-FLG .25-20 YWZC
28	07000021	1	BOLT, SHLDR -.375 X .375 X .25-20
29	02968300	1	FINGER, BELT
30	07300012	1	PULLEY, CABLE
31	07400034	2	SCR-TAP .25-20X.50 HWH TR YWZ

# ENGINE, FRAME AND BELT DRIVE – AX 306 EFI

Model 921049

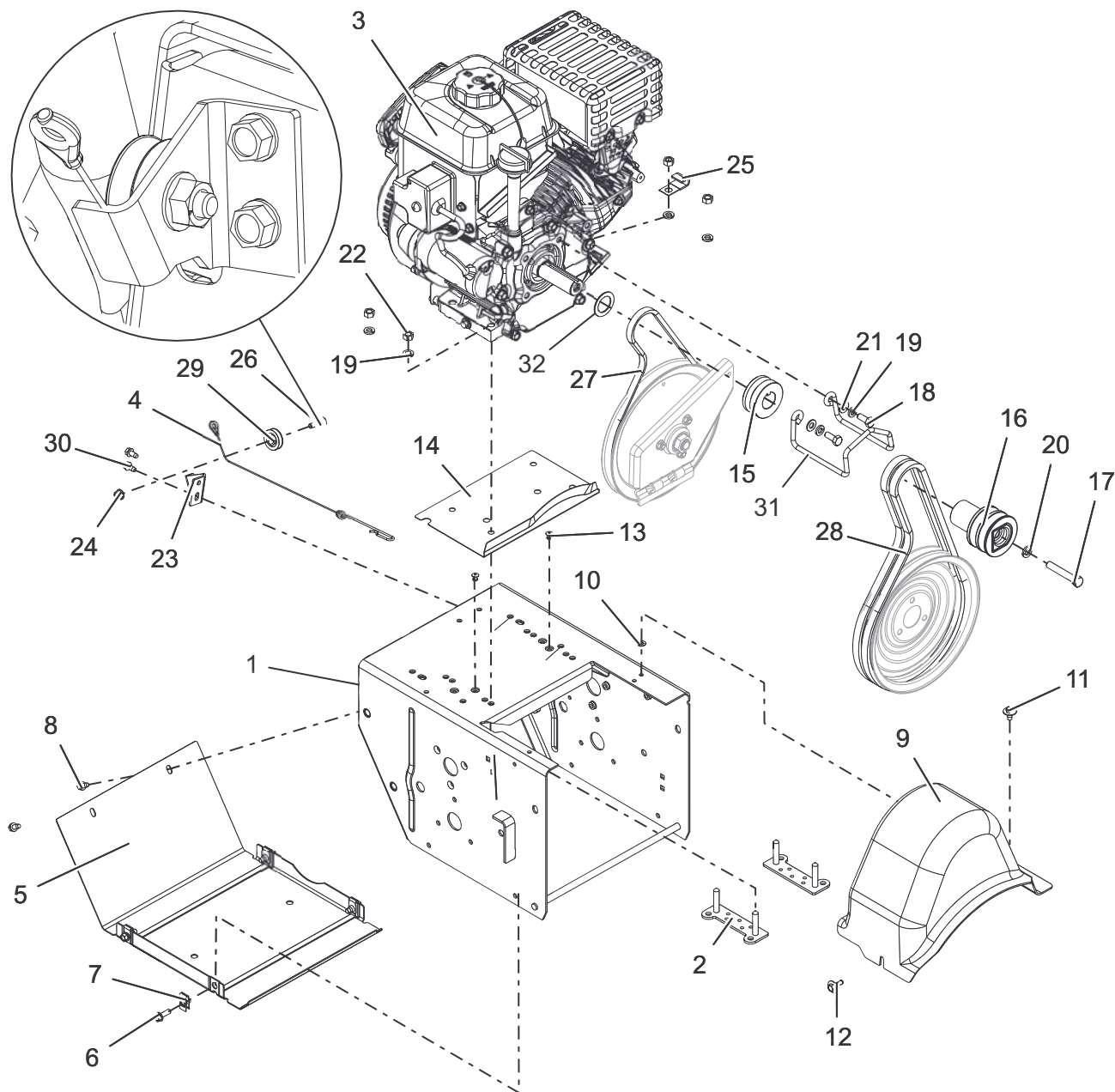


BOM ID	Number	Qty	Description
1	04984659	1	FRAME, MAIN - DELUXE (ORANGE)
2	04999700	2	STRAP, BOLT - MEDIUM ENGINE (3.189)
3	08201216	1	ENGINE, AX306 EFI GEN 3 120V/60W
4	06900503	1	CABLE, TRACTION LOWER (SS & PRO)
5	00375159	1	COVER, BOTTOM
6	05900019	4	BLT-HEX .25-20X.75 HWH YWZC GR5
7	07009000	4	NUT, RTNR .25-20 X .56
8	07400034	2	SCR-TAP .25-20X.50 HWH TR YWZ
9	04989100	1	COVER, BELT - LARGE
10	07027600	1	NUT, PUSH .25X.50 O.D.
11	07400104	1	SCR, TAP .25-20X.50 LGHWH TR
12	07400108	1	SCR, TAP .25-20 X.5 CAPTIVE
13	02968300	1	FINGER, BELT
14	04990851	1	BAFFLE, WATER - LARGE BLOCK (BLACK)
15	04999200	1	SHEAVE, DRIVE
16	00657400	1	SHEAVE, ATTACHMENT - 2 GRV

BOM ID	Number	Qty	Description
17	05901307	1	BLT-HEX .38-24X2.25 YWZC GR5
18	05947300	2	BLT-HEX .31-24X.75 GR5 YWZC
19	06307400	6	WSHR-LK .31X.097 HVY YWZC
20	06308800	1	WSHR-LK .38X.094 REG YWZC
21	06437200	2	WSHR-FL-STL.344X.688X.065YWZC
22	06529200	4	NUT-HEX .31-18 YWZC
23	06800028	2	RVT-POP .187X.250 (#64) YWZC
24	06909400	1	CLAMP, J
25	07200608	1	V-BELT, HA-RAW EDGE (SET)
26	00373051	1	BRKT, CABLE PULLEY
27	06543500	1	NUT, LK-TOP-FLG .25-20 YWZC
28	07000021	1	BOLT, SHLDR -.375 X .375 X .25-20
29	07300012	1	PULLEY, CABLE
30	07400034	2	SCR-TAP .25-20X.50 HWH TR YWZ
31	07200101	1	V-BELT, 3L-WRAPPED CLUTCHING

# ENGINE, FRAME AND BELT DRIVE – AX 254 CE

Model 921323



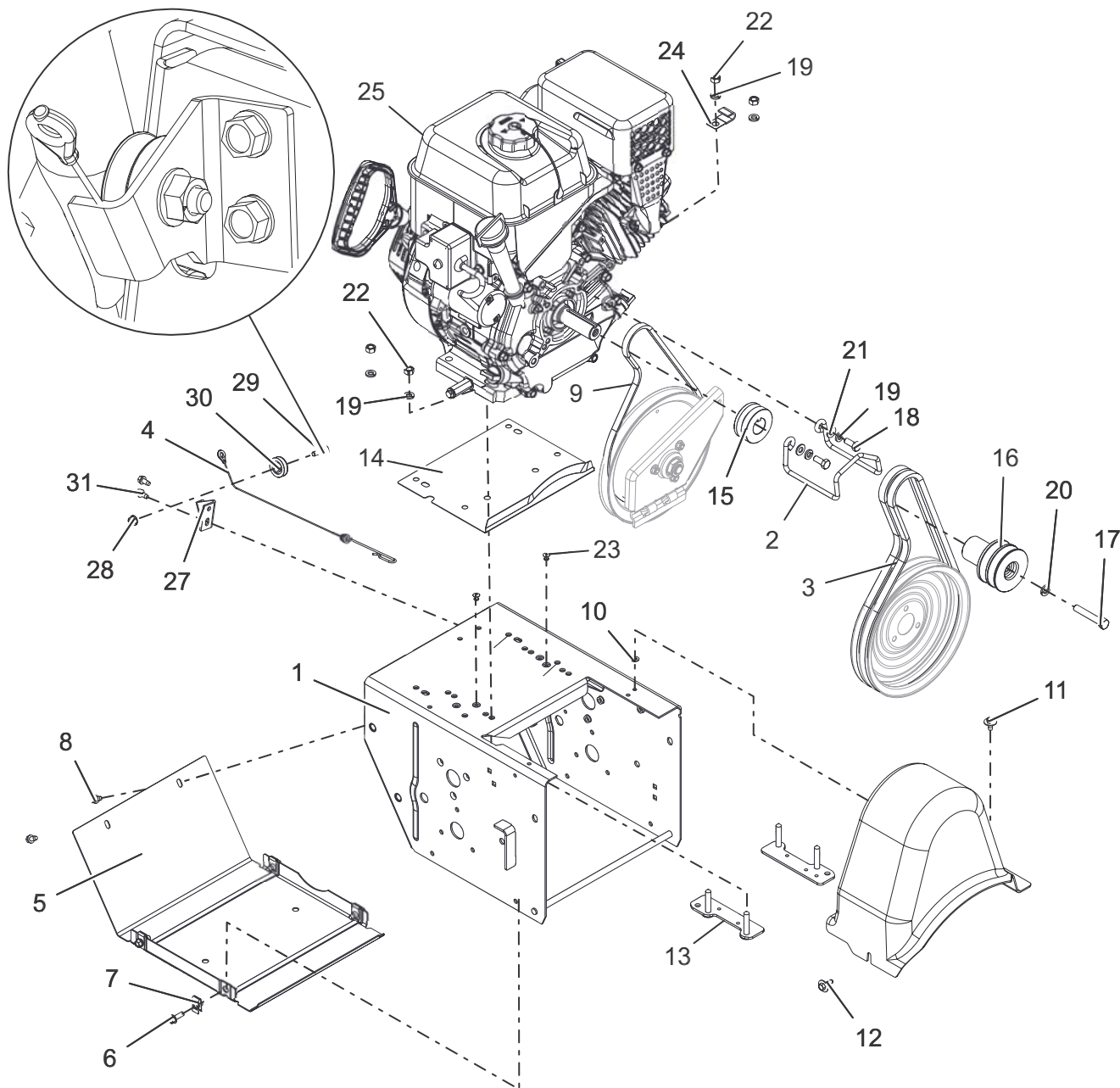
BOM ID	Number	Qty	Description
1	04984659	1	FRAME, MAIN - DELUXE (ORANGE)
2	04999800	2	STRAP, BOLT - SMALL ENGINE (3.125)
3	08200920	1	ENGINE, ARIENS AX254 240V/60W
4	06900503	1	CABLE, TRACTION LOWER (SS & PRO)
5	00375159	1	COVER, BOTTOM
6	05900019	4	BLT-HEX .25-20X.75 HWH YWZC GR5
7	07009000	4	NUT, RTNR .25-20 X .56
8	07400034	2	SCR-TAP .25-20X.50 HWH TR YWZ
9	04989200	1	COVER, BELT - SMALL
10	07027600	1	NUT, PUSH .25X.50 O.D.
11	07400104	1	SCR, TAP .25-20X.50 LGHWH TR
12	07400108	1	SCR, TAP .25-20 X.5 CAPTIVE
13	06800028	2	RVT-POP .187x.250 (#64) YWZC
14	04985351	1	BAFFLE, WATER - SMALL BLOCK (BLACK)
15	04999200	1	SHEAVE, DRIVE
16	04999300	1	SHEAVE, ATTACHMENT 2-GRV
17	05901307	1	BLT-HEX .38-24X2.25 YWZC GR5

BOM ID	Number	Qty	Description
18	05947300	2	BLT-HEX .31-24X.75 GR5 YWZC
19	06307400	6	WSHR-LK .31X.097 HVY YWZC
20	06308800	1	WSHR-LK .38X.094 REG YWZC
21	06437200	2	WSHR-FL-STL.344X.688X.065YWZC
22	06529200	4	NUT-HEX .31-18 YWZC
23	00373051	1	BRKT, CABLE PULLEY
24	06543500	1	NUT, LK-TOP-FLG .25-20 YWZC
25	06909400	1	CLAMP, J
26	07000021	1	BOLT, SHLDR -.375 X .375 X .25-20
27	07200739	1	V-BELT, 3L-WRAPPED CLUTCHING
28	07200802	1	V-BELT, HA-RAW EDGE (SET)
29	07300012	1	PULLEY, CABLE
30	07400034	2	SCR-TAP .25-20X.50 HWH TR YWZ
31	02968300	1	FINGER, BELT
32	06436300	1	WSHR-FL-STL 1.010X1.505X.062 YWZC



# ENGINE, FRAME AND BELT DRIVE – AX 291 CE

Model 921324

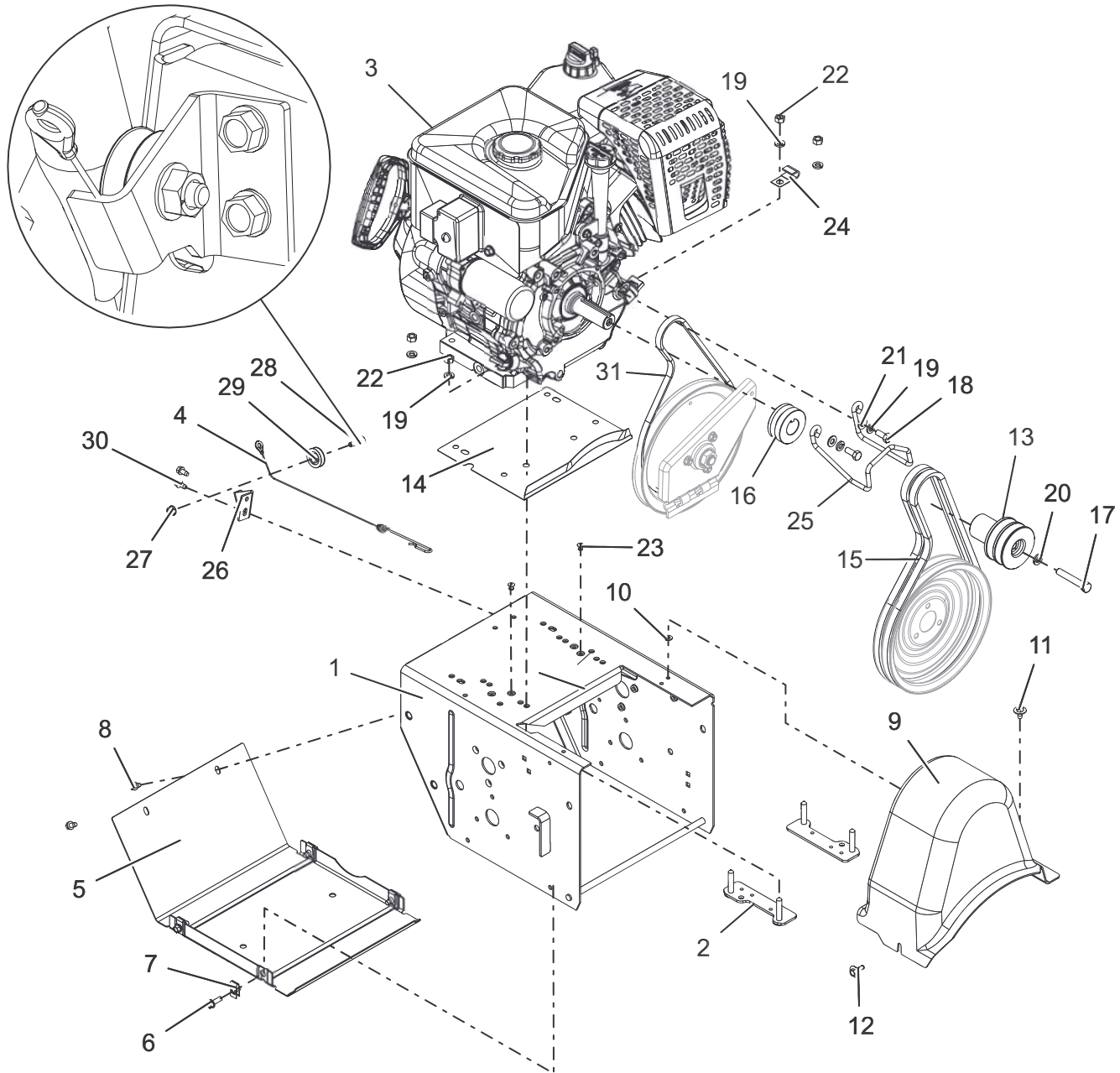


BOM ID	Number	Qty	Description
1	04984659	1	FRAME, MAIN - DELUXE (ORANGE)
2	02968300	1	FINGER, BELT
3	07200608	1	V-BELT, HA-RAW EDGE (SET)
4	06900503	1	CABLE, TRACTION LOWER (SS & PRO)
5	00375159	1	COVER, BOTTOM
6	05900019	3	BLT-HEX .25-20X.75 HWH YWZC GR5
7	07009000	3	NUT, RTNR .25-20 X .56
8	07400034	2	SCR-TAP .25-20X.50 HWH TR YWZ
9	07200101	1	V-BELT, 3L-WRAPPED CLUTCHING
10	07027600	1	NUT, PUSH .25X.50 O.D.
11	07400104	1	SCR, TAP .25-20X.50 LGHWH TR
12	07400108	1	SCR, TAP .25-20 X.5 CAPTIVE
13	04999700	2	STRAP, BOLT - MEDIUM ENGINE (3.189)
14	04990851	1	BAFFLE, WATER - LARGE BLOCK (BLACK)
15	04999200	1	SHEAVE, DRIVE
16	00657400	1	SHEAVE, ATTACHMENT - 2 GRV

BOM ID	Number	Qty	Description
17	05901307	1	BLT-HEX .38-24X2.25 YWZC GR5
18	05947300	2	BLT-HEX .31-24X.75 GR5 YWZC
19	06307400	6	WSHR-LK .31X.097 HVY YWZC
20	06308800	1	WSHR-LK .38X.094 REG YWZC
21	06437200	2	WSHR-FL-STL.344X.688X.065YWZC
22	06529200	4	NUT-HEX .31-18 YWZC
23	06800028	2	RVT-POP .187x.250 (#64) YWZC
24	06909400	1	CLAMP, J
25	08200918	1	ENGINE, ARIENS AX291 240V/60W
27	00373051	1	BRKT, CABLE PULLEY
28	06543500	1	NUT, LK-TOP-FLG .25-20 YWZC
29	07000021	1	BOLT, SHLDR -.375 X .375 X .25-20
30	07300012	1	PULLEY, CABLE
31	07400034	2	SCR-TAP .25-20X.50 HWH TR YWZ

# ENGINE, FRAME AND BELT DRIVE – AX 369 CE

Models 921325

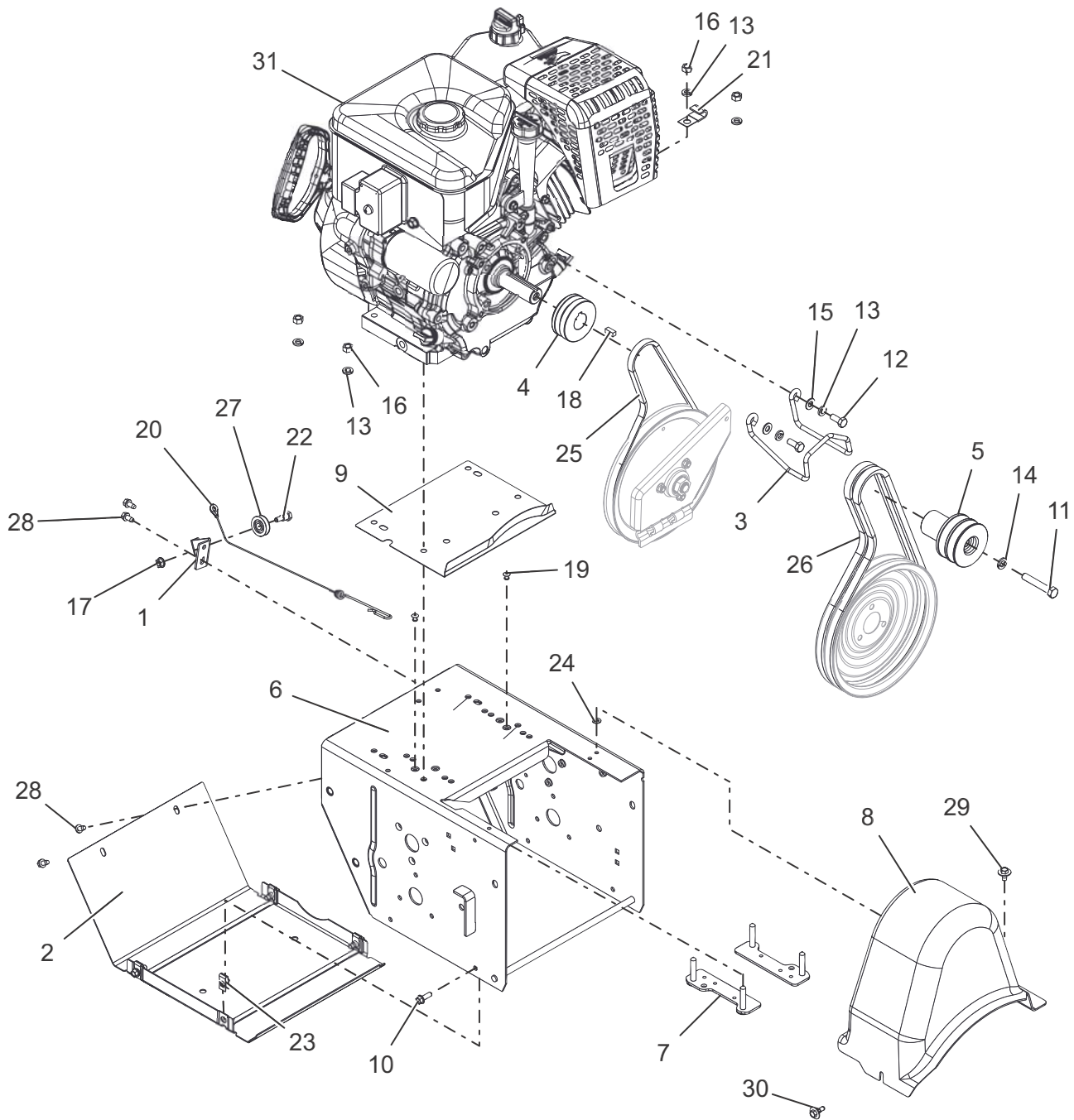


BOM ID	Number	Qty	Description
1	04984659	1	FRAME, MAIN - DELUXE (ORANGE)
2	04987100	2	STRAP, BOLT - LARGE ENGINE (4.055)
3	08201221	1	ENGINE, AX369 GEN3 240V/60W
4	06900503	1	CABLE, TRACTION LOWER (SS & PRO)
5	00375159	1	COVER, BOTTOM
6	05900019	4	BLT-HEX .25-20X.75 HWH YWZC GR5
7	07009000	4	NUT, RTNR .25-20 X .56
8	07400034	2	SCR-TAP .25-20X.50 HWH TR YWZ
9	04989100	1	COVER, BELT - LARGE
10	07027600	1	NUT, PUSH .25X.50 O.D.
11	07400104	1	SCR, TAP .25-20X.50 LGHWH TR
12	07400108	1	SCR, TAP .25-20 X.5 CAPTIVE
13	00657400	1	SHEAVE, ATTACHMENT - 2 GRV
14	04990851	1	BAFFLE, WATER - LARGE BLOCK (BLACK)
15	07200608	1	V-BELT, HA-RAW EDGE (SET)
16	04999200	1	SHEAVE, DRIVE

BOM ID	Number	Qty	Description
17	05901307	1	BLT-HEX .38-24X2.25 YWZC GR5
18	05947300	2	BLT-HEX .31-24X.75 GR5 YWZC
19	06307400	6	WSHR-LK .31X.097 HJV YWZC
20	06308800	1	WSHR-LK .38X.094 REG YWZC
21	06437200	2	WSHR-FL-STL.344X.688X.065YWZC
22	06529200	4	NUT-HEX .31-18 YWZC
23	06800028	2	RVT-POP .187x.250 (#64) YWZC
24	06909400	1	CLAMP, J
25	04509700	1	FINGER, BELT - HYDRO TRACK
26	00373051	1	BRKT, CABLE PULLEY
27	06543500	1	NUT, LK-TOP-FLG .25-20 YWZC
28	07000021	1	BOLT, SHLDR -.375 X .375 X .25-20
29	07300012	1	PULLEY, CABLE
30	07400034	2	SCR-TAP .25-20X.50 HWH TR YWZ
31	07200101	1	V-BELT, 3L-WRAPPED CLUTCHING

# ENGINE, FRAME AND BELT DRIVE – TRACK – AX 369 CE

Model 921326

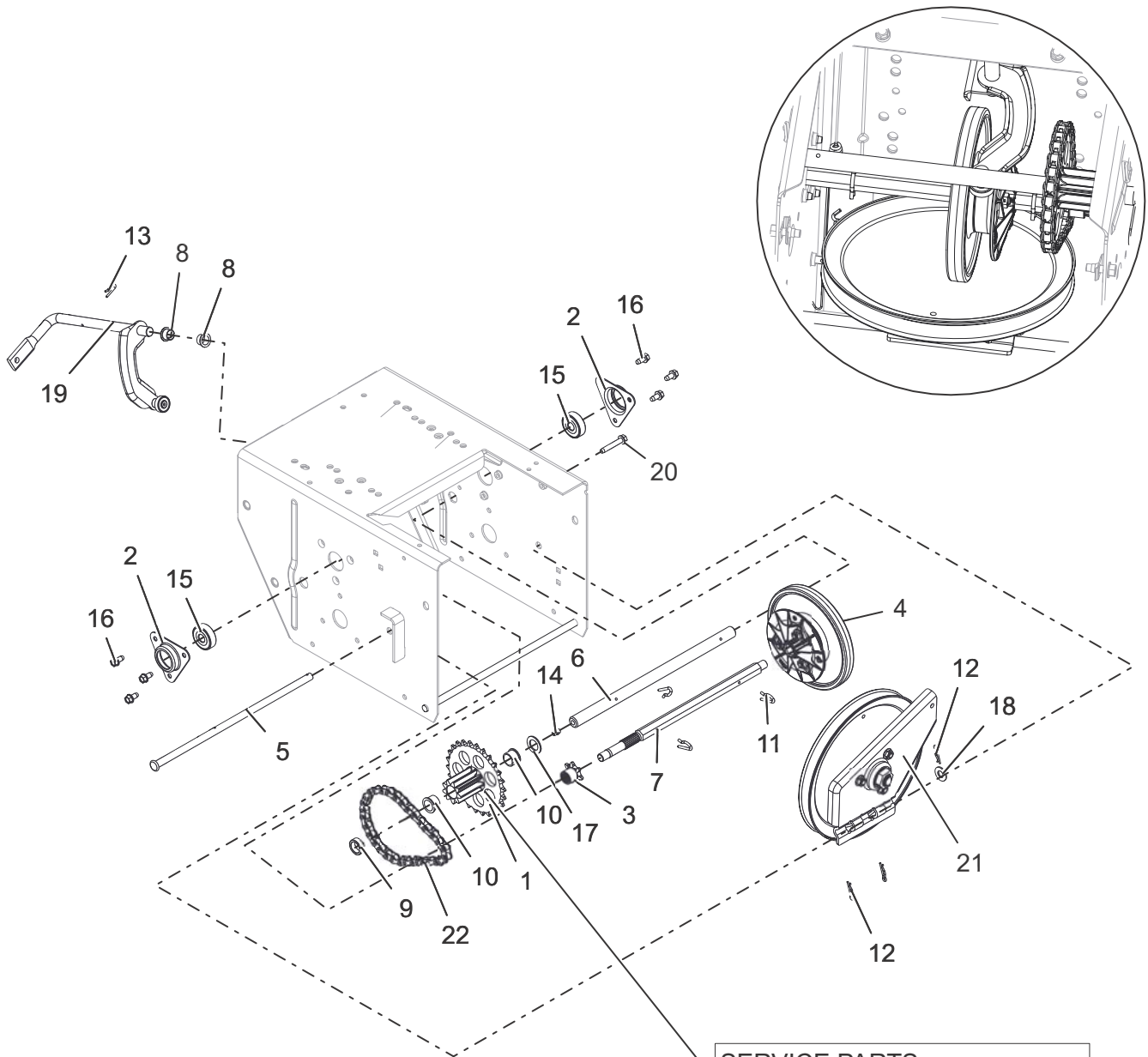


BOM ID	Number	Qty	Description
1	00373051	1	BRKT, CABLE PULLEY
2	00375159	1	COVER, BOTTOM
3	04509700	1	FINGER, BELT - HYDRO TRACK
4	04503300	1	SHEAVE, DRIVE
5	00657400	1	SHEAVE, ATTACHMENT - 2 GRV
6	04984659	1	FRAME, MAIN - DELUXE (ORANGE)
7	04987100	2	STRAP, BOLT - LARGE ENGINE (4.055)
8	04989100	1	COVER, BELT - LARGE
9	04990851	1	BAFFLE, WATER - LARGE BLOCK (BLACK)
10	05900019	4	BLT-HEX .25-20X.75 HWH YWZC GR5
11	05901307	1	BLT-HEX .38-24X2.25 YWZC GR5
12	05947300	2	BLT-HEX .31-24X.75 GR5 YWZC
13	06307400	6	WSHR-LK .31X.097 HVV YWZC
14	06308800	1	WSHR-LK .38X.094 REG YWZC
15	06437200	2	WSHR-FL-STL.344X.688X.065YWZC
16	06529200	4	NUT-HEX .31-18 YWZC

BOM ID	Number	Qty	Description
17	06543500	1	NUT, LK-TOP-FLG .25-20 YWZC
18	06602700	1	KEY-SQ .250X.250X.625
19	06800028	2	RVT-POP .187x.250 (#64) YWZC
20	06900503	1	CABLE, TRACTION LOWER (SS & PRO)
21	06909400	1	CLAMP, J
22	07000021	1	BOLT, SHLDR -.375 X .375 X .25-20
23	07009000	4	NUT, RTNR .25-20 X .56
24	07027600	1	NUT, PUSH .25X.50 O.D.
25	07200111	1	V-BELT, 3L-WRAPPED CLUTCHING (NO RUBBER BLEED THRU)
26	07200608	1	V-BELT, HA-RAW EDGE (SET)
27	07300012	1	PULLEY, CABLE
28	07400034	4	SCR-TAP .25-20X.50 HWH TR YWZ
29	07400104	1	SCR, TAP .25-20X.50 LGHWH TR
30	07400108	1	SCR, TAP .25-20 X 5 CAPTIVE
31	08201221	1	ENGINE, AX369 GEN3 240V/60W

# FRICION DRIVE AND SWING GATE

Models 921045, 046, 047, 048, 049, 323, 324, 325



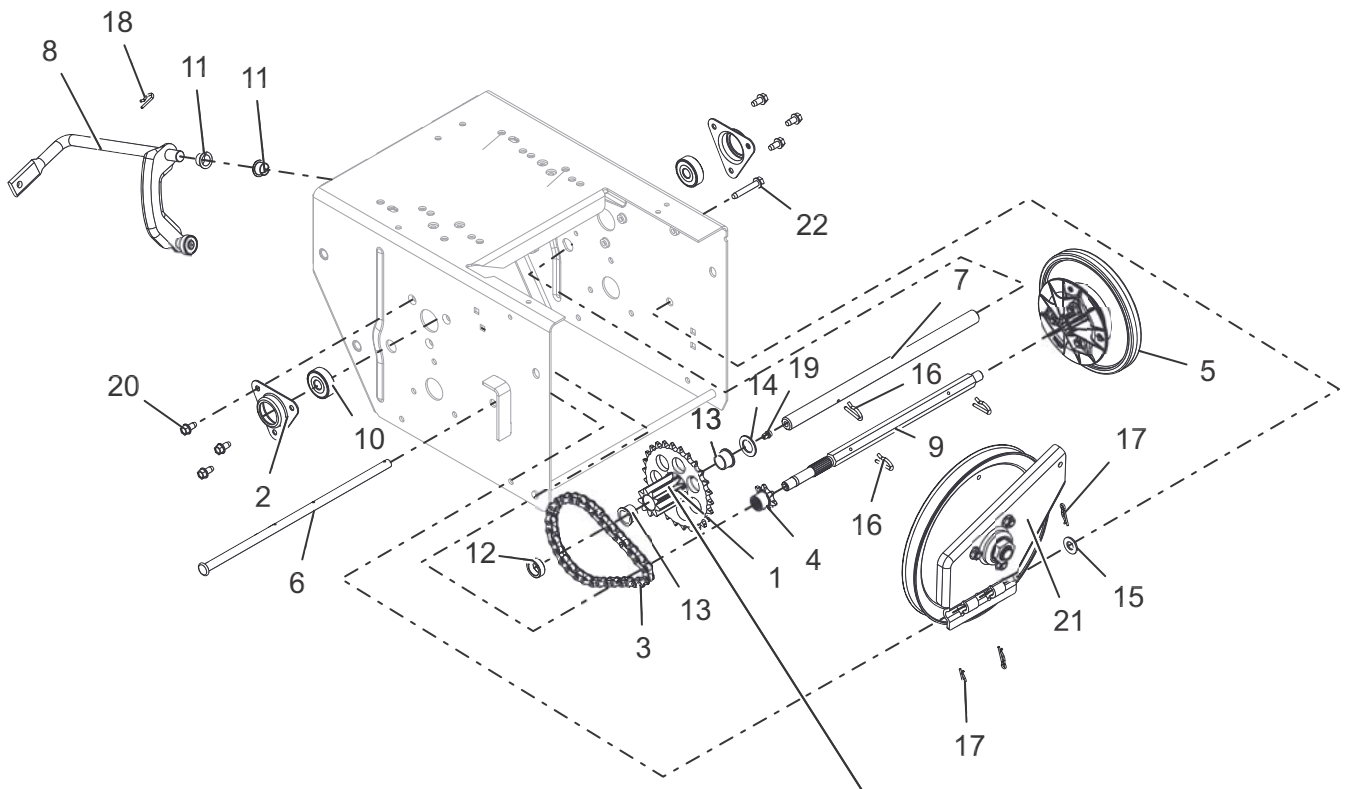
**SERVICE PARTS:**  
 52601500 - SPROCKET GEAR  
 WITH (2) 05500111 BUSHINGS

BOM ID	Number	Qty	Description
1	00190600	1	PINION, SPROCKET
2	00383000	2	FLANGE, BRG
3	04092600	1	SPROCKET, PINION 7T W/SPLINE
4	04861600	1	DISK, FRICTION - ASSEMBLY
5	04991300	1	PIN, PIVOT
6	04991500	1	SHAFT, PINION
7	04995700	1	SHAFT, HEX - W/SPLINE
8	05500026	2	BUSHING, POLYLINER - .50 SPLIT
9	05500035	1	BSHG, SLV , .635X.880X.305
10	05500111	2	BSHG, FLG .625 X .750 X .500 X .875
11	06714500	3	PIN, SPRING CLIP
12	06714800	3	PIN-HAIR, ENDRIES #25 YWZC

BOM ID	Number	Qty	Description
13	06944800	1	CLIP, SPRING
14	07061300	1	ZERK, FITTING .25X.125 DRIVE IN
15	05435200	2	BRG-BALL .437X1.375X.437
16	07400034	6	SCR-TAP .25-20X.50 HWH TR YWZ
17	06436100	1	WSHR-FL-STL .630X1.005X.062 YWZC
18	06436200	1	WSHR-FL-STL.406X.812X.065 YWZ
19	04993700	1	ARM, SHIFT - ASSEMBLY (DELUXE)
20	07400007	1	SCR-TAP .25-20X1.50 HWH TR YZ
21	52602700	1	PLATE, SWING-ASSY
22	02466200	1	CHAIN, ROLLER - #41 w/32 PITCHES

# FRICION DRIVE AND SWING GATE – TRACK

Model 921326



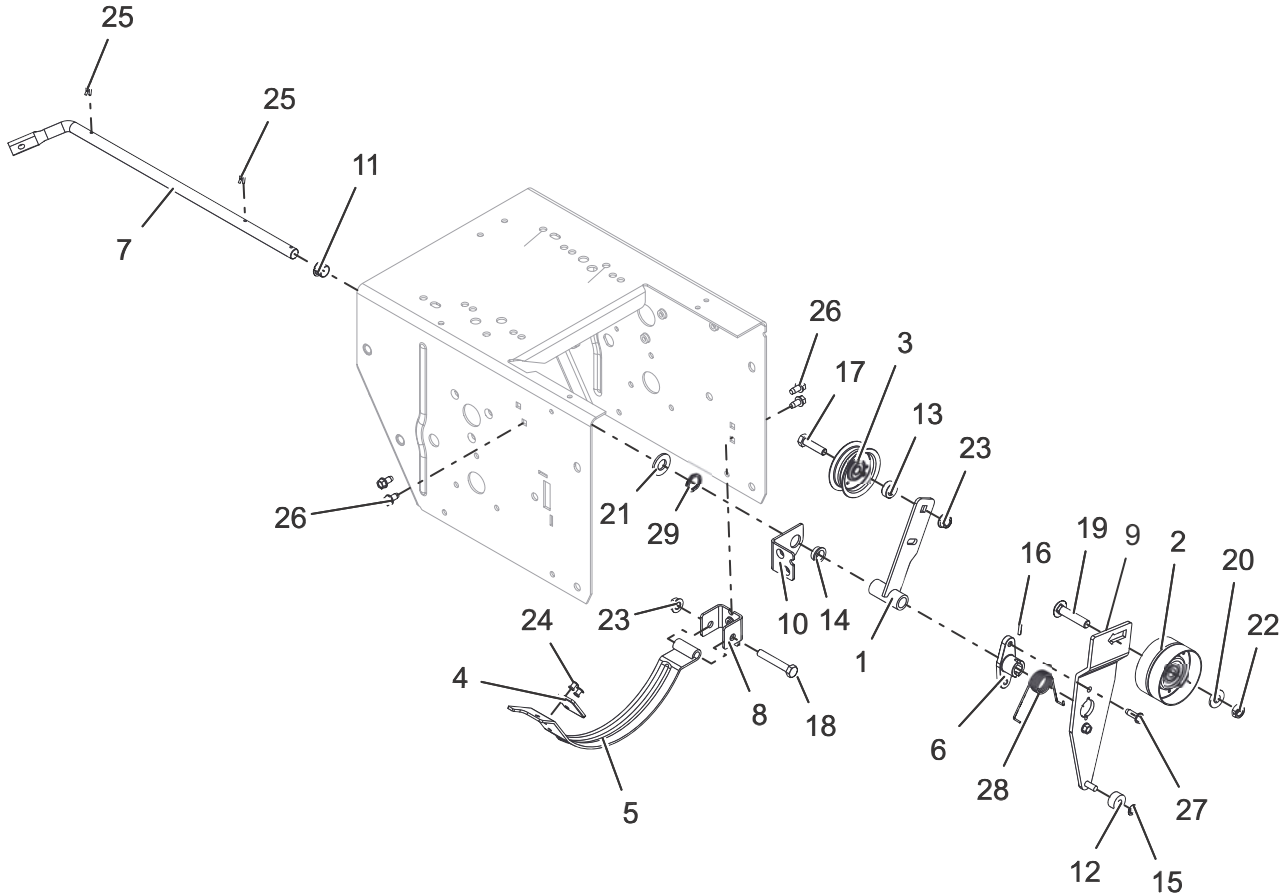
**SERVICE PARTS:**  
 52601500 - SPROCKET GEAR  
 WITH (2) 05500111  
 BUSHINGS

BOM ID	Number	Qty	Description
1	00190600	1	PINION, SPROCKET
2	00383000	2	FLANGE, BRG
3	02466200	1	CHAIN, ROLLER - #41 w/32 PITCHES
4	04092600	1	SPROCKET, PINION 7T W/SPLINE
5	04861600	1	DISK, FRICTION - ASSEMBLY
6	04991300	1	PIN, PIVOT
7	05004900	1	SHAFT, PINION - HARDENED
8	04993700	1	ARM, SHIFT - ASSEMBLY (DELUXE)
9	04991400	1	SHAFT, HEX - HEAT TREATED
10	05435200	2	BRG-BALL .437X1.375X.437
11	05500026	2	BUSHING, POLYLINER - .50 SPLIT
12	05500035	1	BSHG, SLV , .635X.880X.305

BOM ID	Number	Qty	Description
13	05500111	2	BSHG, FLG .625 X .750 X .500 X .875
14	06436100	1	WSHR-FL-STL .630X1.005X.062 YWZC
15	06436200	1	WSHR-FL-STL.406X.812X.065 YWZ
16	06714500	3	PIN, SPRING CLIP
17	06714800	3	PIN-HAIR, ENDRIES #25 YWZC
18	06944800	1	CLIP, SPRING
19	07061300	1	ZERK, FITTING .25X.125 DRIVE IN
20	07400034	6	SCR-TAP .25-20X.50 HWH TR YWZ
21	52602700	1	PLATE, SWING-ASSY
22	07400007	1	SCR-TAP .25-20X1.50 HWH TR YZ

# IDLERS AND BRAKE

Models All



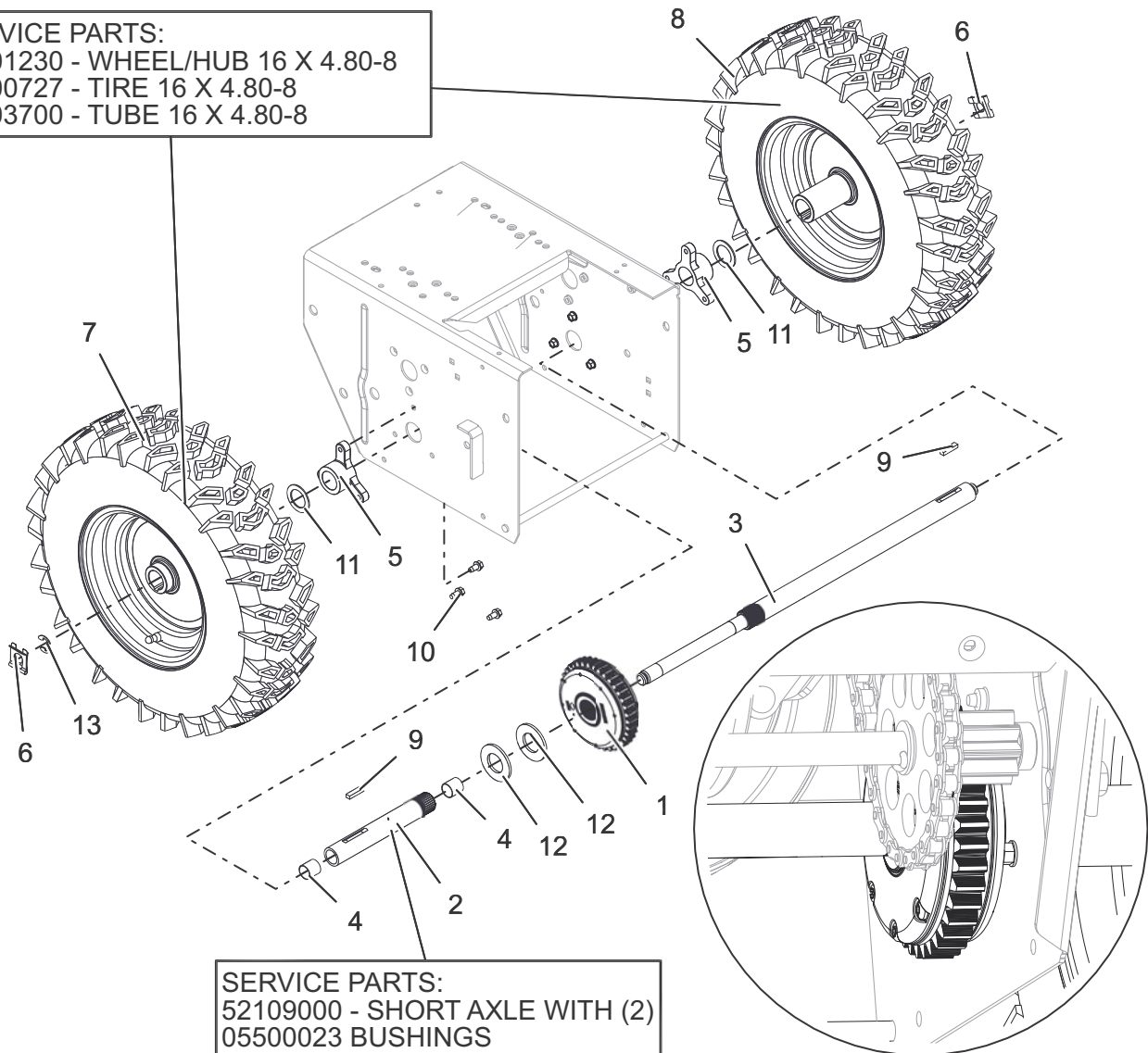
BOM ID	Number	Qty	Description
1	00371651	1	ARM, IDLER -TRACTION (BLACK)
2	07333500	1	IDLER, FLAT -2.75 OD X .375 ID
3	07338900	1	IDLER, FLAT - 2.00"
4	00180500	1	PAD, BRAKE
5	00374900	1	ARM, BRAKE ATTACHMENT
6	00384200	1	HUB, BRAKE ARM
7	00384351	1	ARM, ATTACHMENT-BLACK
8	00430751	1	PIVOT, BRAKE
9	02954400	1	ARM, IDLER ATTACHMENT
10	04511651	1	BRKT, SUPPORT
11	05500026	1	BUSHING, POLYLINER - .50 SPLIT
12	05500037	1	BSHG, SLV .265 X .625 X .375
13	05501115	1	BSHG, FLG .315X.500X.358X.281
14	05501119	1	BSHG, FLANGE .500 x .625 x .270 x .750
15	05717600	1	RG-RTNG-EXT .250 X .010

BOM ID	Number	Qty	Description
16	05800900	1	PIN, ROLL .125 X 1.00
17	05947500	1	BLT-HEX .31-18X1.25 GR5 YWZC
18	05957200	1	BLT-HEX .31-18X2.00 GR5 YWZC
19	06200111	1	BLT-RHDSSQNK .38-16X1.75 G5YZ
20	06435700	1	WSHR-FL-STL.38X.875X.083 YWZC
21	06441900	1	WSHR-FL-STL.531X1.06X.095YWZC
22	06537200	1	NUT-LK-CTR-JAM .375-16 YWZC
23	06543100	2	NUT, LK-TOP-FLG .312-18 YWZC
24	06800028	2	RVT-POP .187x.250 (#64) YWZC
25	06944800	2	CLIP, SPRING
26	07400034	4	SCR-TAP .25-20X.50 HWH TR YWZ
27	07400111	2	SCR-TAP .25-20X.75 HWH TR YWZ
28	08300015	1	SPRG, TORSION
29	08300534	1	WAVE, SPRING .600x.875x.25FH

# WHEELS AND AXLES

Models 921045, 046, 047, 048, 049, 323, 324, 325

SERVICE PARTS:  
 07101230 - WHEEL/HUB 16 X 4.80-8  
 07100727 - TIRE 16 X 4.80-8  
 07103700 - TUBE 16 X 4.80-8

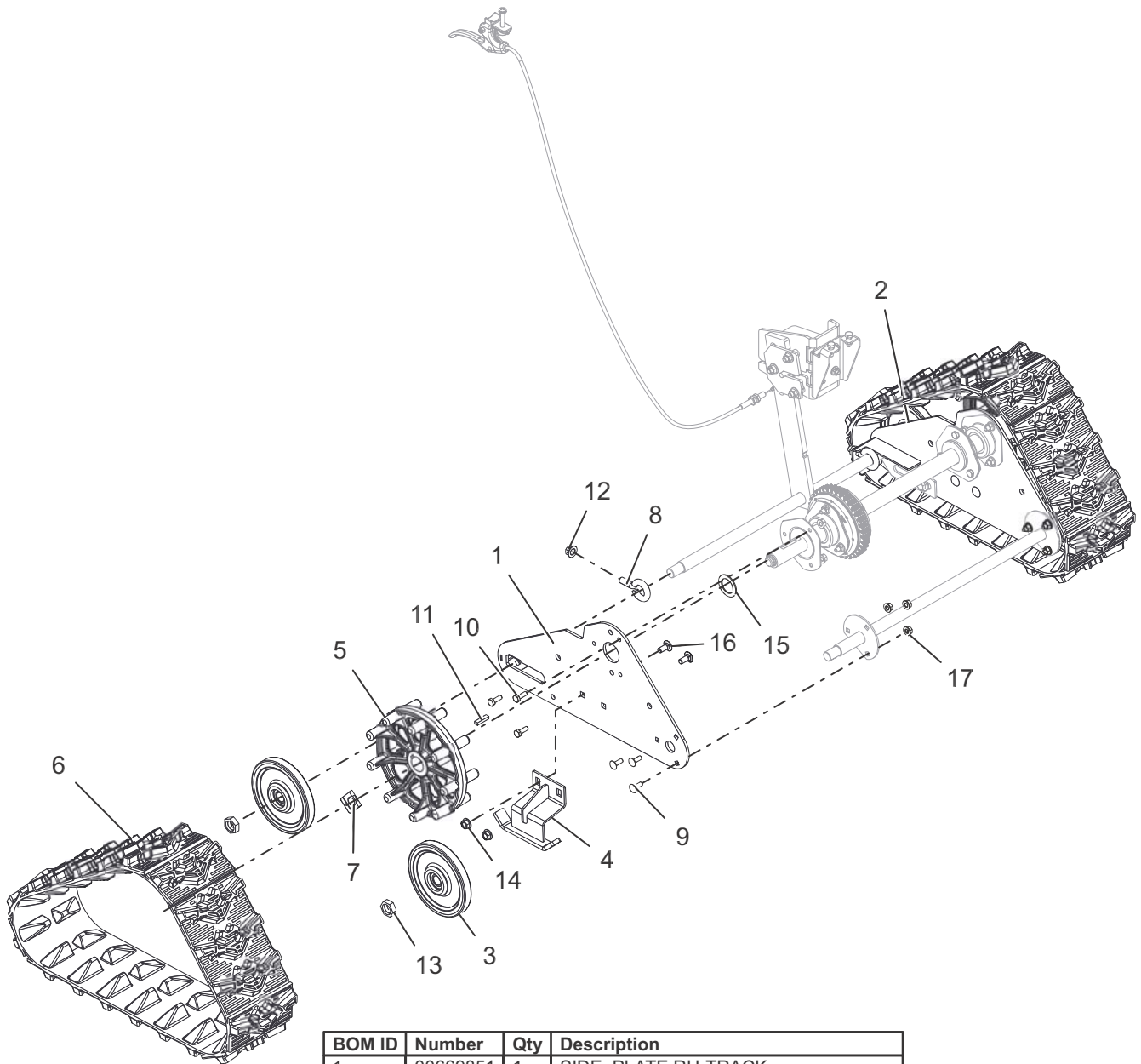


SERVICE PARTS:  
 52109000 - SHORT AXLE WITH (2)  
 05500023 BUSHINGS

BOM ID	Number	Qty	Description
1	04584100	1	DIFFERENTIAL, AUTOMATIC
2	04984700	1	AXLE, SHORT - DELUXE AUTO DIFF
3	04984800	1	AXLE, LONG - DELUXE AUTO DIFF
4	05500023	2	BSHG, SLV .706 X .764 X .75 BRZ
5	05500829	2	BSHG, AXLE
6	05700001	2	CLIP, SNAP - .625
7	07101208	1	TIRE/WHEEL, RH 16X4.8-8 DIFF
8	07101209	1	TIRE/WHEEL, LH 16X4.8-8 DIFF
9	06600002	2	KEY, RECT .25X.188X1.00
10	07400034	6	SCR-TAP .25-20X.50 HWH TR YWZ
11	06436300	2	WSHR-FL-STL 1.010X1.505X.062 YWZC
12	06443000	2	WSHR-FL-STL1.062X2.00X.134YWZC
13	05708300	1	RING, RETAINING-E .625X.042

# TRACK

## Model 921326

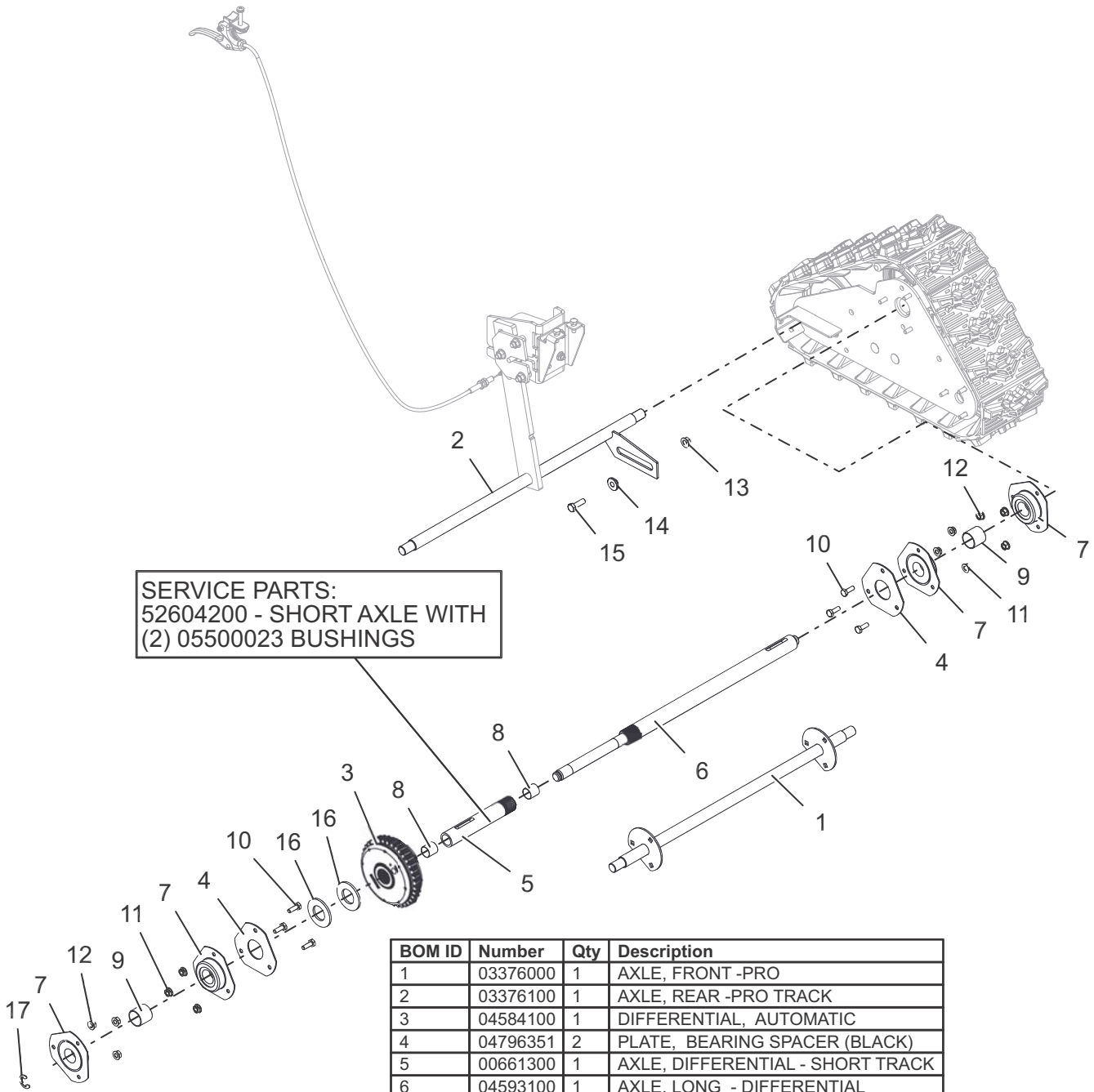


BOM ID	Number	Qty	Description
1	00669851	1	SIDE, PLATE RH-TRACK
2	00669951	1	SIDE, PLATE LH-TRACK
3	03293600	4	WHEEL, BOGIE - SINGLE BEARING
4	00660751	2	RUNNER, GUIDE TRACK
5	04520000	2	WHEEL, DRIVE TRACK - MACHINED
6	00669700	2	TRACK, RUBBER
7	05700001	2	CLIP, SNAP - .625
8	07000040	2	BLT, EYE .375-16X.880 YWZC
9	06219900	6	BLT-RDHDSQNK .25-20X.75 G5 YWZC
10	05946800	6	BLT-HEX .25-20X.75 GR5 YWZC
11	06600002	2	KEY, RECT .25X.188X1.00
12	06534800	2	NUT, LK-CTR-FLG .38-16 YWZC
13	06530300	4	@NUT-LK-NYL .625-18 YWZC
14	06543100	4	NUT, LK-TOP-FLG .312-18 YWZC
15	06436300	2	WSHR-FL-STL 1.010X1.505X.062 YWZC
16	06215700	4	BLT-RDHDSQNK .31-18X.75 G5 YWZC
17	06543500	6	NUT, LK-TOP-FLG .25-20 YWZC



# TRACK AXLES

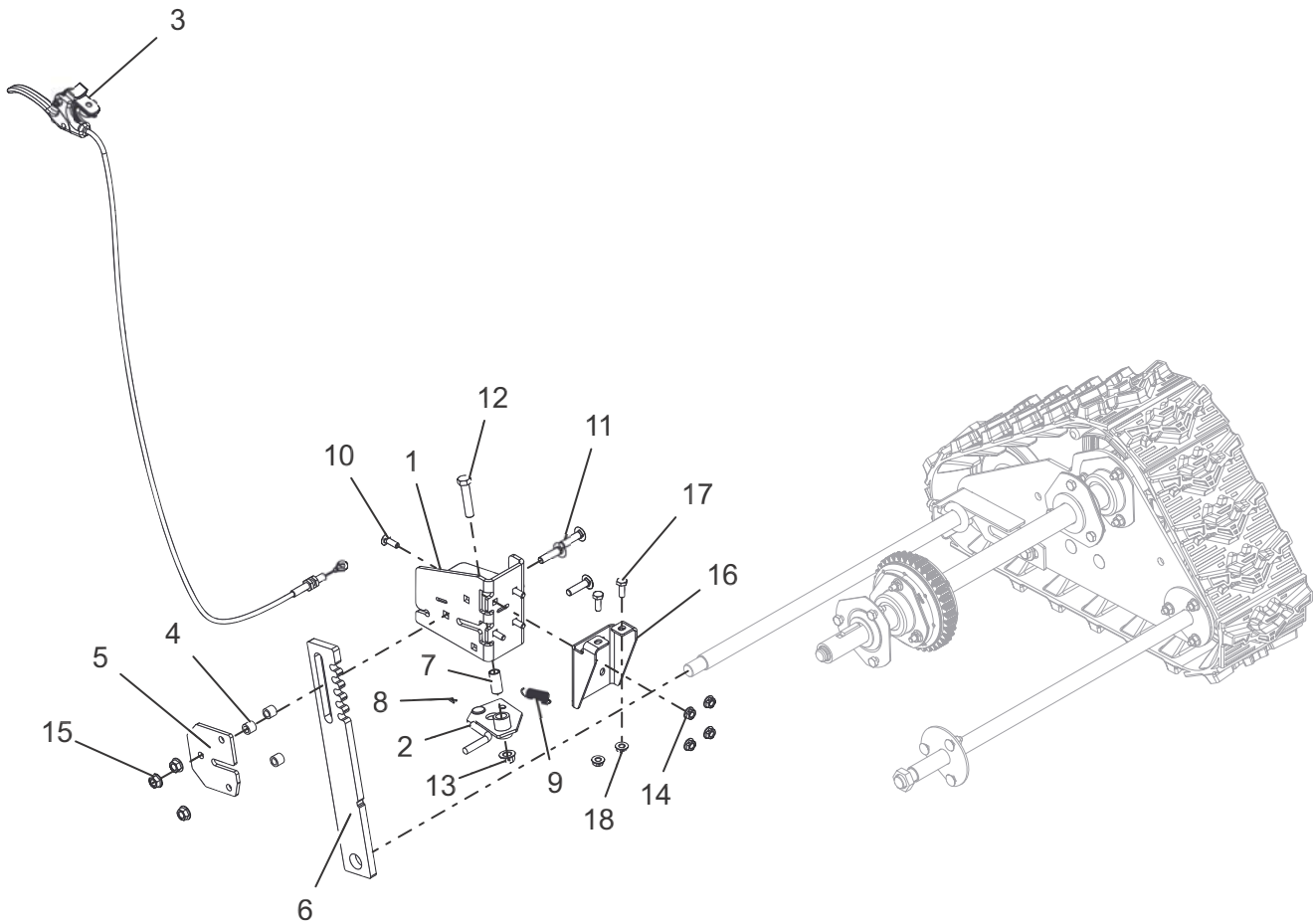
Model 921326



BOM ID	Number	Qty	Description
1	03376000	1	AXLE, FRONT -PRO
2	03376100	1	AXLE, REAR -PRO TRACK
3	04584100	1	DIFFERENTIAL, AUTOMATIC
4	04796351	2	PLATE, BEARING SPACER (BLACK)
5	00661300	1	AXLE, DIFFERENTIAL - SHORT TRACK
6	04593100	1	AXLE, LONG - DIFFERENTIAL
7	05400723	4	BRG, FLANGE 1.003/1.000 3 BOLT
8	05500023	2	BSHG, SLV .706 X .764 X .75 BRZ
9	05500122	2	BSHG, SLV 1.012 X 1.125 X 1.00
10	05946800	6	BLT-HEX .25-20X.75 GR5 YWZC
11	06500710	6	NUT, LK-CTR-FLG .25-20 YWZC
12	06543500	6	NUT, LK-TOP-FLG .25-20 YWZC
13	06543100	1	NUT, LK-TOP-FLG .312-18 YWZC
14	05501127	1	BSHG, FLG .325X.499X.3X.875
15	05946900	1	BLT-HEX .31-18X1.00 GR5 YWZC
16	06443000	2	WSHR-FL-STL1.062X2.00X.134YWZC
17	05708300	1	RING, RETAINING-E .625X.042

# TRACK CONTROLS

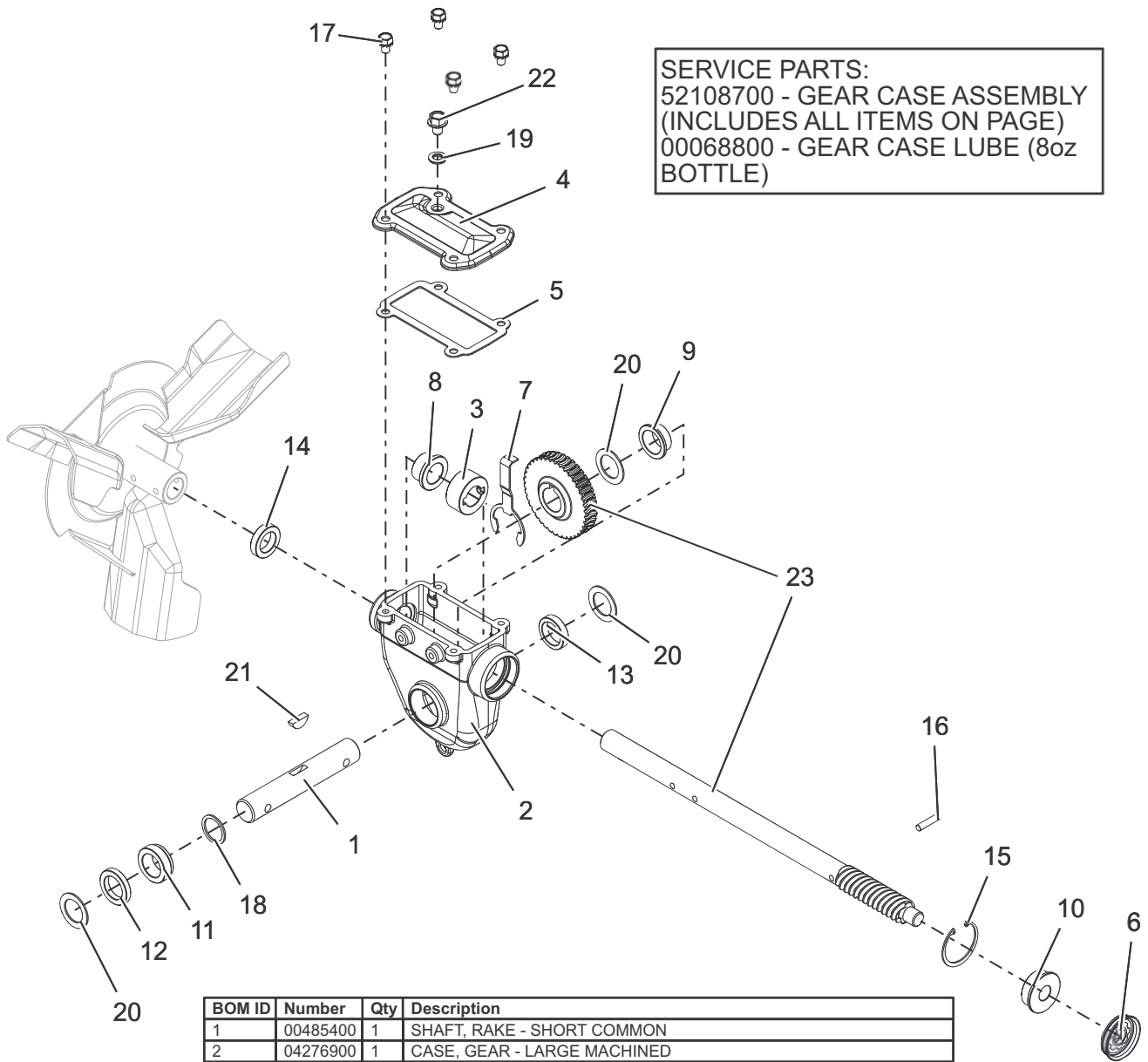
Model 921326



BOM ID	Number	Qty	Description
1	04797851	1	BRKT, HEIGHT ADJUSTER - DELUXE (BLACK)
2	04999500	1	LOCK, HEIGHT ADJUSTER TRIGGER
3	06900510	1	CABLE, TRACK REMOTE
4	01103100	3	SPCR, .50 X .32 X .42
5	03294151	1	PLATE, HEIGHT ADJUSTER
6	04999451	1	STOP, HEIGHT ADJUSTER-DELUXE
7	05500106	1	BSHG, SLV .385 X .500 X 1.045
8	06701900	1	PIN-HAIR INT .06X.18X.77
9	08300103	1	SPRG, EXTENSION
10	06219900	4	BLT-RDHDSQNK .25-20X.75 G5 YWZC
11	06200008	3	BLT-RDHDSQSHNK .31-18X1.25 G5YWZC
12	05958500	1	BLT-HEX .38-16X1.75 GR5 YWZC
13	06534800	1	NUT, LK-CTR-FLG .38-16 YWZC
14	06500710	4	NUT, LK-CTR-FLG .25-20 YWZC
15	06543100	3	NUT, LK-TOP-FLG .312-18 YWZC
16	04993851	1	BRKT, REINFORCEMENT (BLACK)
17	05946800	2	BLT-HEX .25-20X.75 GR5 YWZC
18	06500710	2	NUT, LK-CTR-FLG .25-20 YWZC

# GEAR CASE

Models All

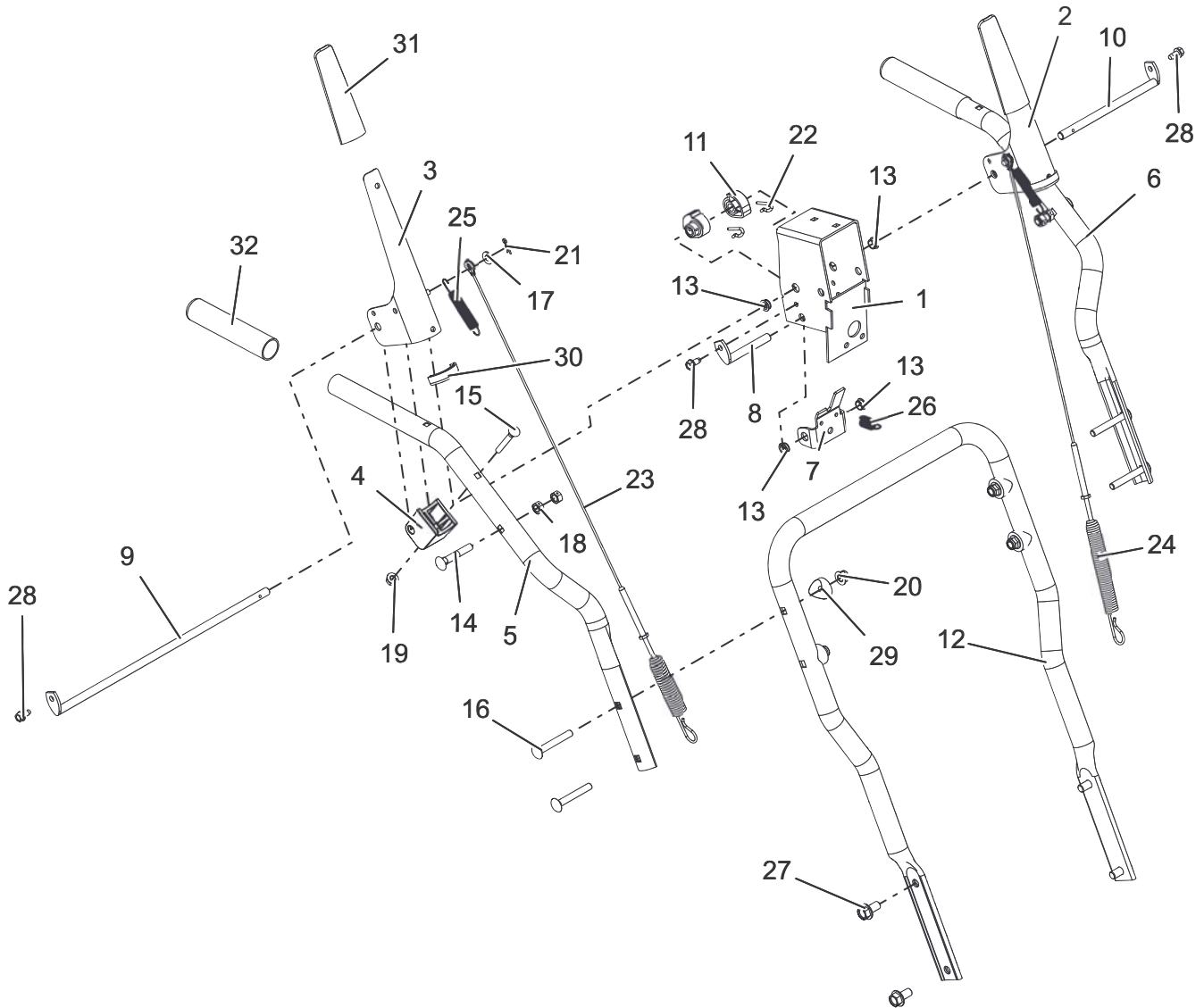


SERVICE PARTS:  
 52108700 - GEAR CASE ASSEMBLY  
 (INCLUDES ALL ITEMS ON PAGE)  
 00068800 - GEAR CASE LUBE (8oz  
 BOTTLE)

BOM ID	Number	Qty	Description
1	00485400	1	SHAFT, RAKE - SHORT COMMON
2	04276900	1	CASE, GEAR - LARGE MACHINED
3	04277100	1	COLLAR, THRUST - .875" ID SLIP FIT
4	04280351	1	COVER, TOP LARGE IRON
5	04282500	1	GSKT, TOP LARGE GEARCASE
6	04302900	1	COVER, FRONT - GEAR CASE 1.75"
7	04323700	1	BSHG, RETAINER LARGE
8	05501024	1	BSHG, FLANGE .879X1.128X.75X1.45
9	05501025	1	BSHG, FLANGE 1.006 x 1.128 x .555 x 1.45
10	05501027	1	BSHG, FLANGE .628 x 1.503 x .58 x 1.725
11	05501033	1	BSHG, FLG LARGE, RIGHT
12	05600510	1	SEAL, OIL .999X1.500X.250 TBC29
13	05600511	1	SEAL, OIL .999X1.375X.312 TBC29
14	05600512	1	SEAL, OIL .873X1.375X.312 TBC29
15	05702100	1	RG-RTNG-INT 1.750X.062
16	05800208	1	PIN, STR .250X1.12 6150
17	05901509	4	BOLT, SEMS - .31-18X.50 GR5 YWZC
18	06400332	1	WSHR-FL-STL 1.010X1.250X.068 YWZC
19	06400920	1	WASHER-FLAT-STL, SEAL
20	06436300	3	WSHR-FL-STL 1.010X1.505X.062 YWZC
21	06608800	1	KEY, WDRF - .25X.875 HRD #A
22	07400110	1	SCR -ROLOK .38-16X.50 HWH YWZC
23	52108800	1	SHAFT, WORM - ONLY AVAILABLE AS SHAFT AND GEAR KIT 52108800

# HANDLEBARS

Models 921045, 046, 048

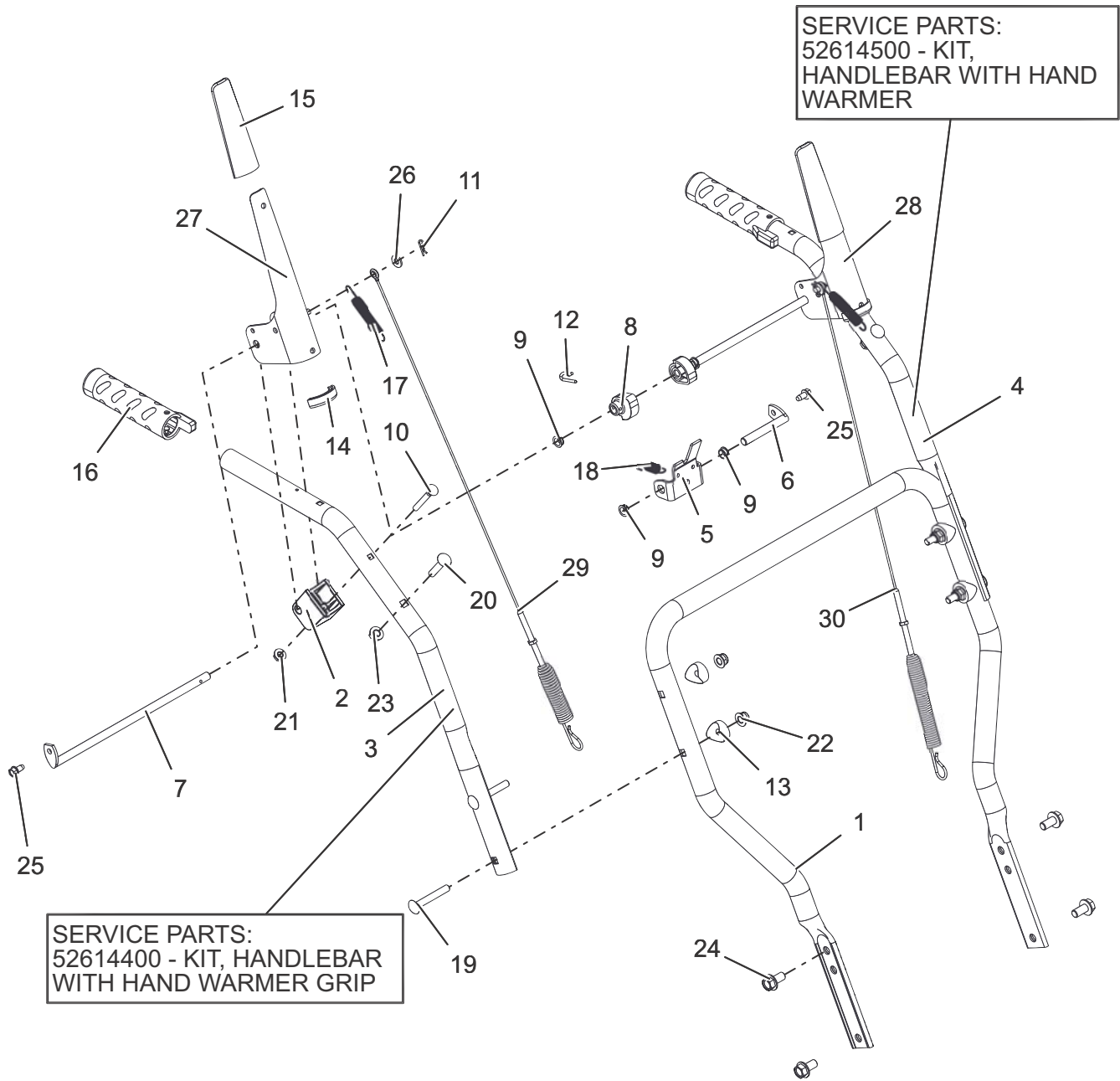


BOM ID	Number	Qty	Description
1	04316651	1	WLDMT, BRKT - INTERLOCK
2	04310451	1	WLDMT, CLUTCH HANDLE - LH
3	04310551	1	WLDMT, CLUTCH HANDLE - RH
4	04310100	2	BLOCK, CLUTCH HANDLE
5	04318351	1	HANDLEBAR, UPPER - RH
6	04318451	1	HANDLEBAR, UPPER - LH
7	04320400	1	BRKT, INTERLOCK ARM
8	04320500	1	ROD, PIVOT - INTERLOCK
9	04321500	1	ROD, PADDLE MOUNT - LONG
10	04321600	1	ROD, PADDLE MOUNT - SHORT
11	04322100	2	CAM, INTERLOCK
12	04983151	1	HANDLEBAR, LOWER (BLACK)
13	05500020	4	BSHG, POLYLINER-.38 SNAPIN
14	06200207	2	BLT, RDHD XLSQNK .31-18X2.0 G5YZ
15	06209300	2	BLT, RDHD XLSQNK .25-20X2.0 G5YZ
16	06221600	4	BLT-RDHD SQNK .31-18X2.25 G5 Y
17	06437300	2	WSHR-FL-STL.281X.62X.065 YWZC

BOM ID	Number	Qty	Description
18	06529800	4	NUT-LK-CTR .31-18 YWZC
19	06543500	2	NUT, LK-TOP-FLG .25-20 YWZC
20	06545400	4	NUT-LK-NYL-FLG .31-18 YWZC
21	06701900	2	PIN-HAIR INT .06X.18X.77
22	06714500	2	PIN, SPRING CLIP
23	06900439	1	CABLE, AUGER (DELUXE & PRO)
24	06900502	1	CABLE, UPPER TRACTION
25	08300527	2	SPRG, EXTENSION
26	08337000	1	SPRG, EXTENSION
27	07028500	4	BLT-SERHFVH .38-16X.75 YWZC
28	07400034	3	SCR-TAP .25-20X.50 HWH TR YWZ
29	07500005	4	SPCR, HANDLEBAR
30	07500103	2	STRIP, EDGE - CLUTCH HANDLE
31	07500331	2	SLV, CLUTCH HANDLE
32	07500336	2	GRIP, HANDLE

# HANDLEBARS – HEATED HAND GRIPS

Models 921047, 049, 323, 324, 325, 326



SERVICE PARTS:  
52614400 - KIT, HANDLEBAR  
WITH HAND WARMER GRIP

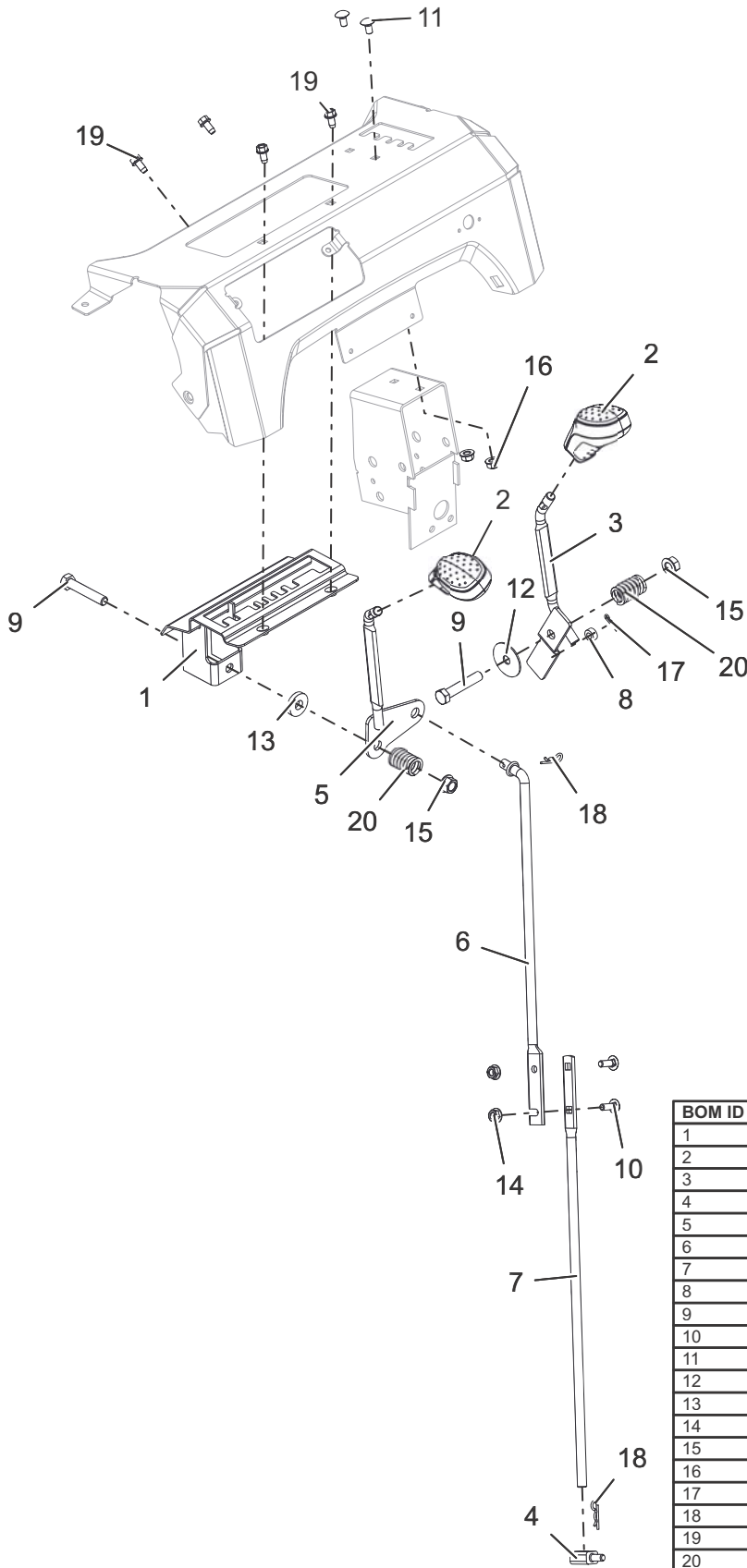
SERVICE PARTS:  
52614500 - KIT,  
HANDLEBAR WITH HAND  
WARMER

BOM ID	Number	Qty	Description
1	00373251	1	HANDLEBAR, LOWER
2	04310100	2	BLOCK, CLUTCH HANDLE
3	04318151	1	HANDLEBAR, UPPER - RH
4	04318251	1	HANDLEBAR, UPPER - LH
5	04320400	1	BRKT, INTERLOCK ARM
6	04320500	1	ROD, PIVOT - INTERLOCK
7	04320600	2	ROD, PADDLE MOUNT - PRO
8	04322100	2	CAM, INTERLOCK
9	05500020	4	BSHG, POLYLINER-.38 SNAPIN
10	06209300	2	BLT, RDHDXLSQNK .25-20X2.0 G5YZ
11	06701900	2	PIN-HAIR INT .06X.18X.77
12	06714500	2	PIN, SPRING CLIP
13	07500005	4	SPCR, HANDLEBAR
14	07500103	2	STRIP, EDGE - CLUTCH HANDLE
15	07500331	2	SLV, CLUTCH HANDLE
16	52615200	2	GRIP, HANDLE - HEATED

BOM ID	Number	Qty	Description
17	08300527	2	SPRG, EXTENSION
18	08337000	1	SPRG, EXTENSION
19	06221600	4	BLT-RDHD SQNK .31-18X2.25 G5 Y
20	06212100	2	BLT-RDHD SQNK .31-18X1.50 G5 YWZC
21	06500710	2	NUT, LK-CTR-FLG .25-20 YWZC
22	06545400	4	NUT-LK-NYL-FLG .31-18 YWZC
23	06543100	2	NUT, LK-TOP-FLG .312-18 YWZC
24	07028500	4	BLT-SERHFWH .38-16X.75 YWZC
25	07400034	3	SCR-TAP .25-20X.50 HWH TR YWZ
26	06437300	2	WSHR-FL-STL.281X.62X.065 YWZC
27	04310551	1	WLDMT, CLUTCH HANDLE - RH
28	04310451	1	WLDMT, CLUTCH HANDLE - LH
29	06900439	1	CABLE, AUGER (DELUXE & PRO)
30	06900502	1	CABLE, UPPER TRACTION

# CONTROLS

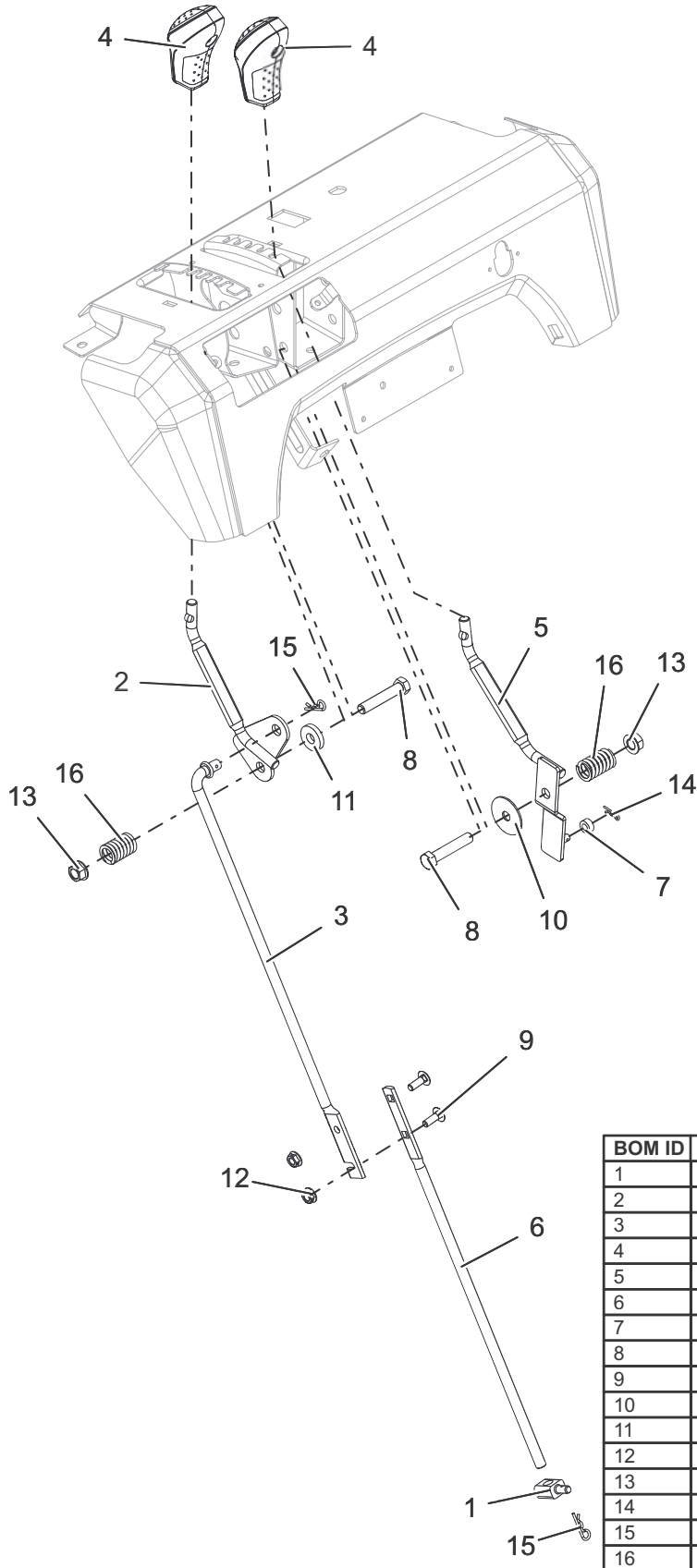
Models 921045, 046, 048



BOM ID	Number	Qty	Description
1	04317751	1	WLDMT, DETENT PLATE-COMPACT
2	04816300	2	KNOB, CONTROL - SOFT TOUCH
3	04846600	1	WLDMT, CONTROL LEVER - SM (DEFL)
4	00386700	1	PIVOT, SHIFT ROD .375-16 (TRUNN)
5	04846700	1	LEVER, CONTROL - SHIFT (WELDMNT)
6	04334967	1	ROD, SHIFT UPPER
7	04996067	1	ROD, SHIFT - LOWER (SM DASH DLX)
8	05501012	1	BSHG, SLV - .265X.500X.219
9	05963300	2	BLT-HEX .38-16X2.00 GR5 YWZC
10	06219900	2	BLT-RDHDSQNK .25-20X.75 G5 YWZC
11	06220600	2	BLT-RDHDSQNK .25-20X.50 G5 Y
12	06439300	1	WSHR-FL-STL .380X1.50X.062 YWZ
13	06444000	1	WSHR-FL-STL .406X1.00X.188 YWZC
14	06500710	2	NUT, LK-CTR-FLG .25-20 YWZC
15	06542000	2	NUT, LK-TOP-FLG .38-16 YWZC
16	06543500	2	NUT, LK-TOP-FLG .25-20 YWZC
17	06701900	1	PIN-HAIR INT .06X.18X.77
18	06713500	2	PIN, HAIR INT .08X.18X1.18 YWZC
19	07400034	4	SCR-TAP .25-20X.50 HWH TR YWZ
20	08335700	2	SPRG, COMPRESSION

# CONTROLS

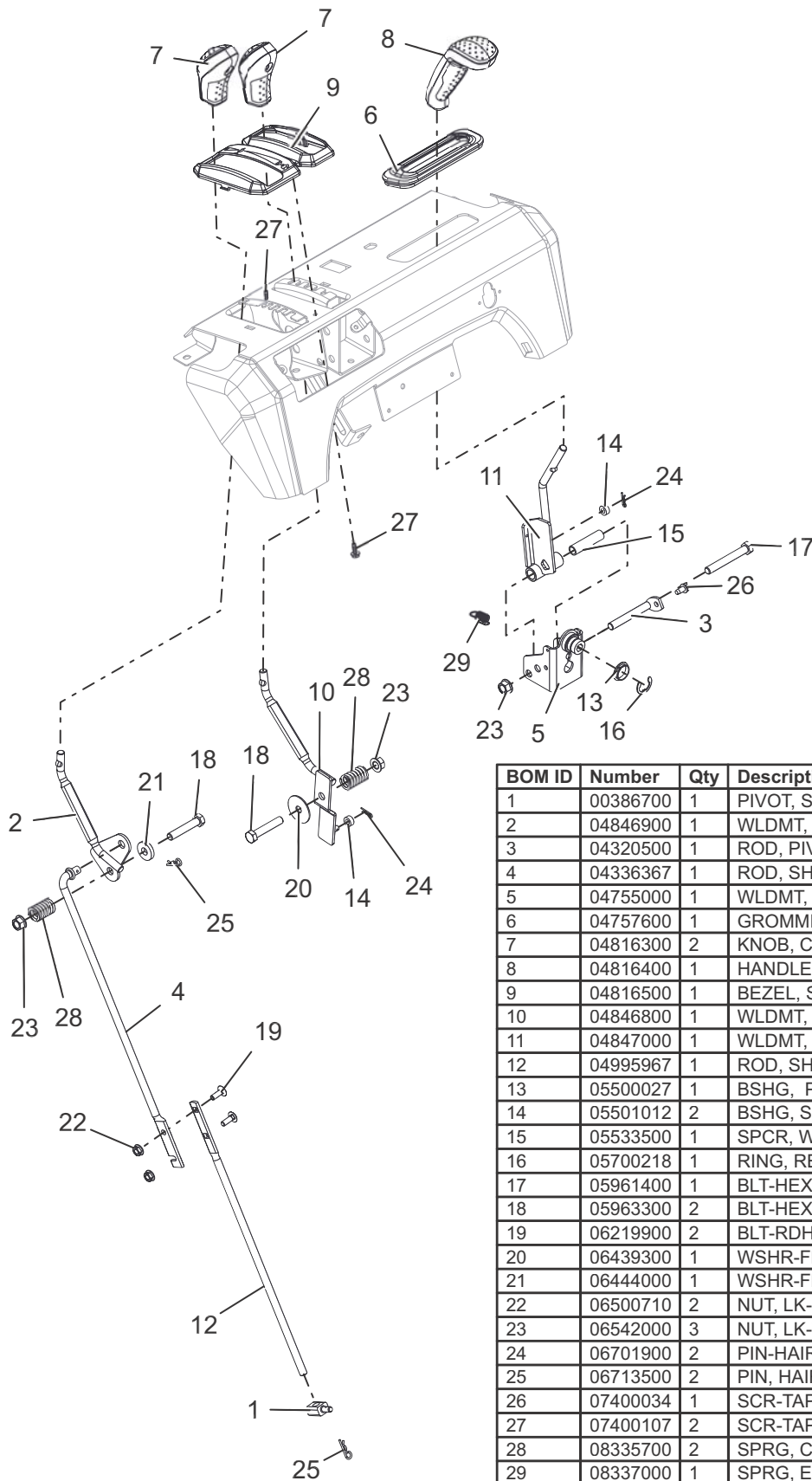
Models 921047, 049, 323, 324, 325



BOM ID	Number	Qty	Description
1	00386700	1	PIVOT, SHIFT ROD .375-16 (TRUNN)
2	04846900	1	WLDMT, CONTROL LEVER - LG (SPEED)
3	04336367	1	ROD, SHIFT - UPPER
4	04816300	2	KNOB, CONTROL - SOFT TOUCH
5	04846800	1	WLDMT, CONTROL LEVER - LG (DEFL)
6	04995967	1	ROD, SHIFT - LOWER (LG DASH DLX)
7	05501012	1	BSHG, SLV - .265X.500X.219
8	05963300	2	BLT-HEX .38-16X2.00 GR5 YWZC
9	06219900	2	BLT-RDHDSQNK .25-20X.75 G5 YWZC
10	06439300	1	WSHR-FL-STL .380X1.50X.062 YWZ
11	06444000	1	WSHR-FL-STL .406X1.00X.188 YWZC
12	06500710	2	NUT, LK-CTR-FLG .25-20 YWZC
13	06542000	2	NUT, LK-TOP-FLG .38-16 YWZC
14	06701900	1	PIN-HAIR INT .06X.18X.77
15	06713500	2	PIN, HAIR INT .08X.18X1.18 YWZC
16	08335700	2	SPRG, COMPRESSION

# TRACK - CONTROLS

Model 921326

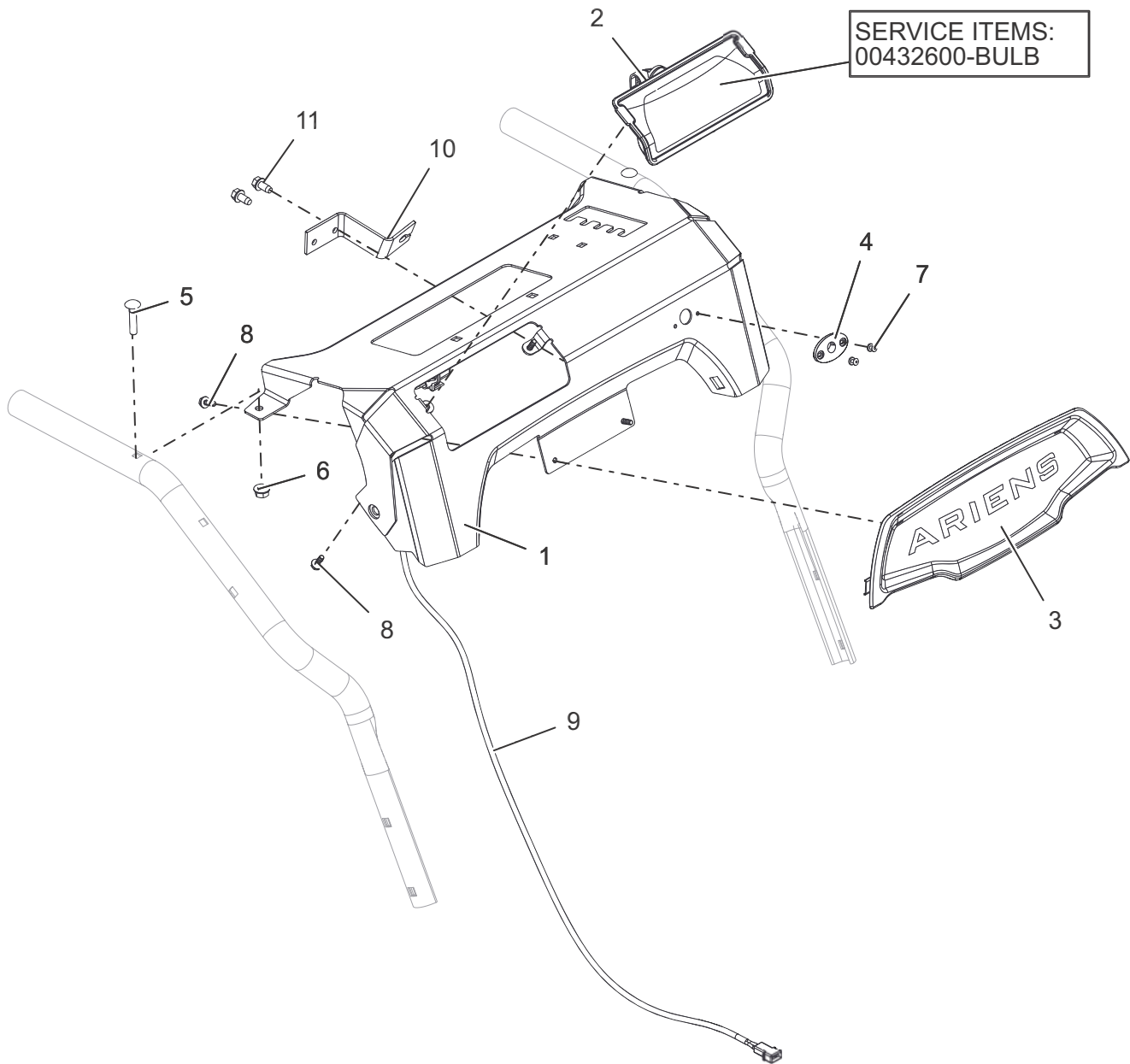


BOM ID	Number	Qty	Description
1	00386700	1	PIVOT, SHIFT ROD .375-16 (TRUNN)
2	04846900	1	WLDMT, CONTROL LEVER - LG (SPEED)
3	04320500	1	ROD, PIVOT - INTERLOCK
4	04336367	1	ROD, SHIFT - UPPER
5	04755000	1	WLDMT, CONTROL BRACKET CHUTE
6	04757600	1	GROMMET, BOOT - QUICK TURN
7	04816300	2	KNOB, CONTROL - SOFT TOUCH
8	04816400	1	HANDLE, QUICK TURN - SOFT TOUCH
9	04816500	1	BEZEL, SHIFT - FRICTION SNOW
10	04846800	1	WLDMT, CONTROL LEVER - LG (DEFL)
11	04847000	1	WLDMT, CONTROL LEVER - QUICKTURN
12	04995967	1	ROD, SHIFT - LOWER (LG DASH DLX)
13	05500027	1	BSHG, POLYLINER- .75 SNAP-IN
14	05501012	2	BSHG, SLV - .265X.500X.219
15	05533500	1	SPCR, WHEEL .385X.500X2.00
16	05700218	1	RING, RETAINING-E .750X.050
17	05961400	1	BLT-HEX .38-16X2.75 GR5 YWZC
18	05963300	2	BLT-HEX .38-16X2.00 GR5 YWZC
19	06219900	2	BLT-RDHDSQNK .25-20X.75 G5 YWZC
20	06439300	1	WSHR-FL-STL .380X1.50X.062 YWZ
21	06444000	1	WSHR-FL-STL .406X1.00X.188 YWZC
22	06500710	2	NUT, LK-CTR-FLG .25-20 YWZC
23	06542000	3	NUT, LK-TOP-FLG .38-16 YWZC
24	06701900	2	PIN-HAIR INT .06X.18X.77
25	06713500	2	PIN, HAIR INT .08X.18X1.18 YWZC
26	07400034	1	SCR-TAP .25-20X.50 HWH TR YWZ
27	07400107	2	SCR-TAP #10X.500 BOSS INDHXHD
28	08335700	2	SPRG, COMPRESSION
29	08337000	1	SPRG, EXTENSION



# DASH

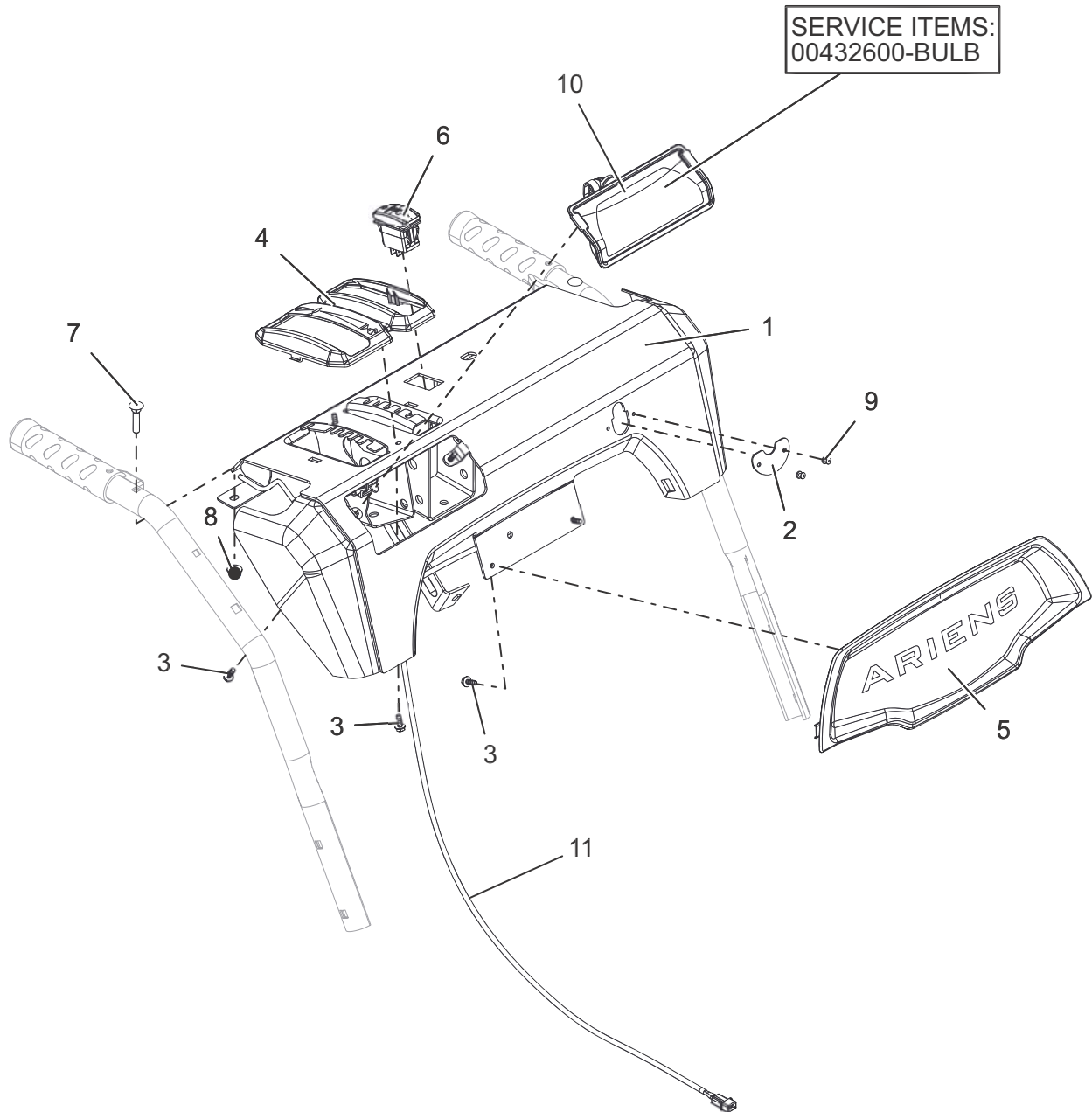
Models 921045, 046, 048



BOM ID	Number	Qty	Description
1	52108000	1	PANEL, CONTROL - WITH DECAL
2	04812300	1	ASM, HEADLAMP - HALOGEN 20W - 2 SHOT
3	04982300	1	BEZEL, DASH - ARIENS SM
4	05501215	1	BSHG, CHUTE CRANK
5	06220100	2	BLT, RDHDXLSQNK .25-20X1.25 G5YZ
6	06543500	2	NUT, LK-TOP-FLG .25-20 YWZC
7	06800038	2	RVT-POP #43 .125x.313 STL ZINC
8	07400107	4	SCR-TAP #10X.500 BOSS INDHXHD
9	04337300	1	HARNESS, LIGHT - COMPACT
10	04754600	1	ANCHOR, DEFLECTOR CABLE
11	07400034	2	SCR-TAP .25-20X.50 HWH TR YWZ

# DASH

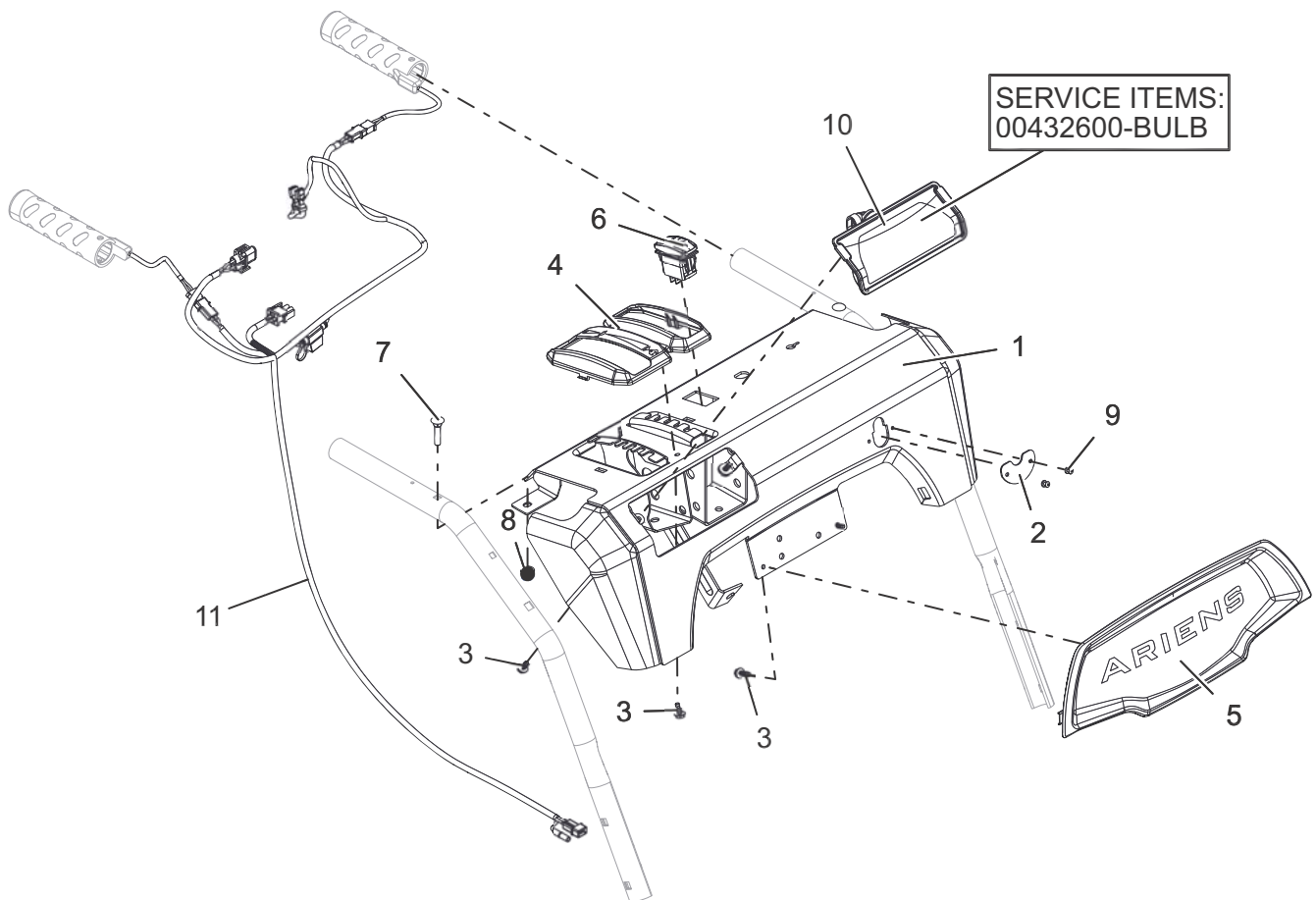
Models 921047, 323, 324, 325



BOM ID	Number	Qty	Description
1	52107700	1	SERVICE, DASH PANEL - W/ DECALS
2	04784500	1	COVER, DASH BRKT, ID
3	07400107	6	SCR-TAP #10X.500 BOSS INDHXHD
4	04816500	1	BEZEL, SHIFT - FRICTION SNOW
5	04982200	1	BEZEL, DASH - ARIENS LG
6	04836700	1	SWITCH, ROCKER - SPST-ON/OFF
7	06220100	2	BLT, RDHDXLSQNK .25-20X1.25 G5YZ
8	06500710	2	NUT, LK-CTR-FLG .25-20 YWZC
9	06800038	2	RVT-POP #43 .125x.313 STL ZINC
10	04812300	1	ASM, HEADLAMP - HALOGEN 20W - 2 SHOT
11	04329600	1	HARNESS, LIGHT & HAND WARMER

# DASH – EFI

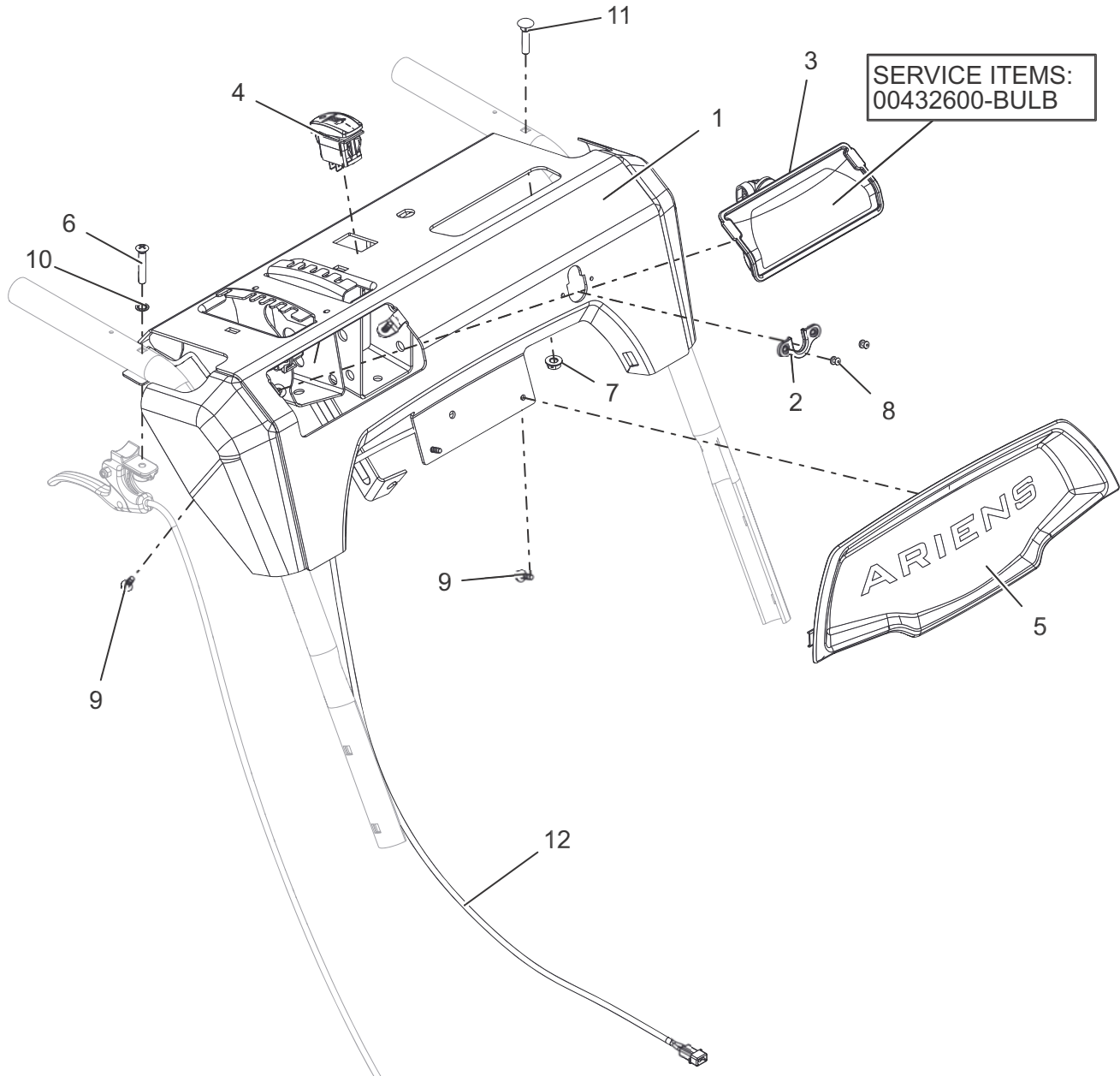
Model 921049



BOM ID	Number	Qty	Description
1	52109500	1	WLDMT, DASH PANEL - FRICTION ID
2	04784500	1	COVER, DASH BRKT, ID
3	07400107	6	SCR-TAP #10X.500 BOSS INDHXHD
4	04816500	1	BEZEL, SHIFT - FRICTION SNOW
5	04982200	1	BEZEL, DASH - ARIENS LG
6	04836700	1	SWITCH, ROCKER - SPST-ON/OFF
7	06220100	2	BLT, RDHDXLSQNK .25-20X1.25 G5YZ
8	06500710	2	NUT, LK-CTR-FLG .25-20 YWZC
9	06800038	2	RVT-POP #43 .125x.313 STL ZINC
10	04812300	1	ASM, HEADLAMP - HALOGEN 20W - 2 SHOT
11	05071800	1	HARNES, LIGHT & WARMER (EFI)

# TRACK – DASH

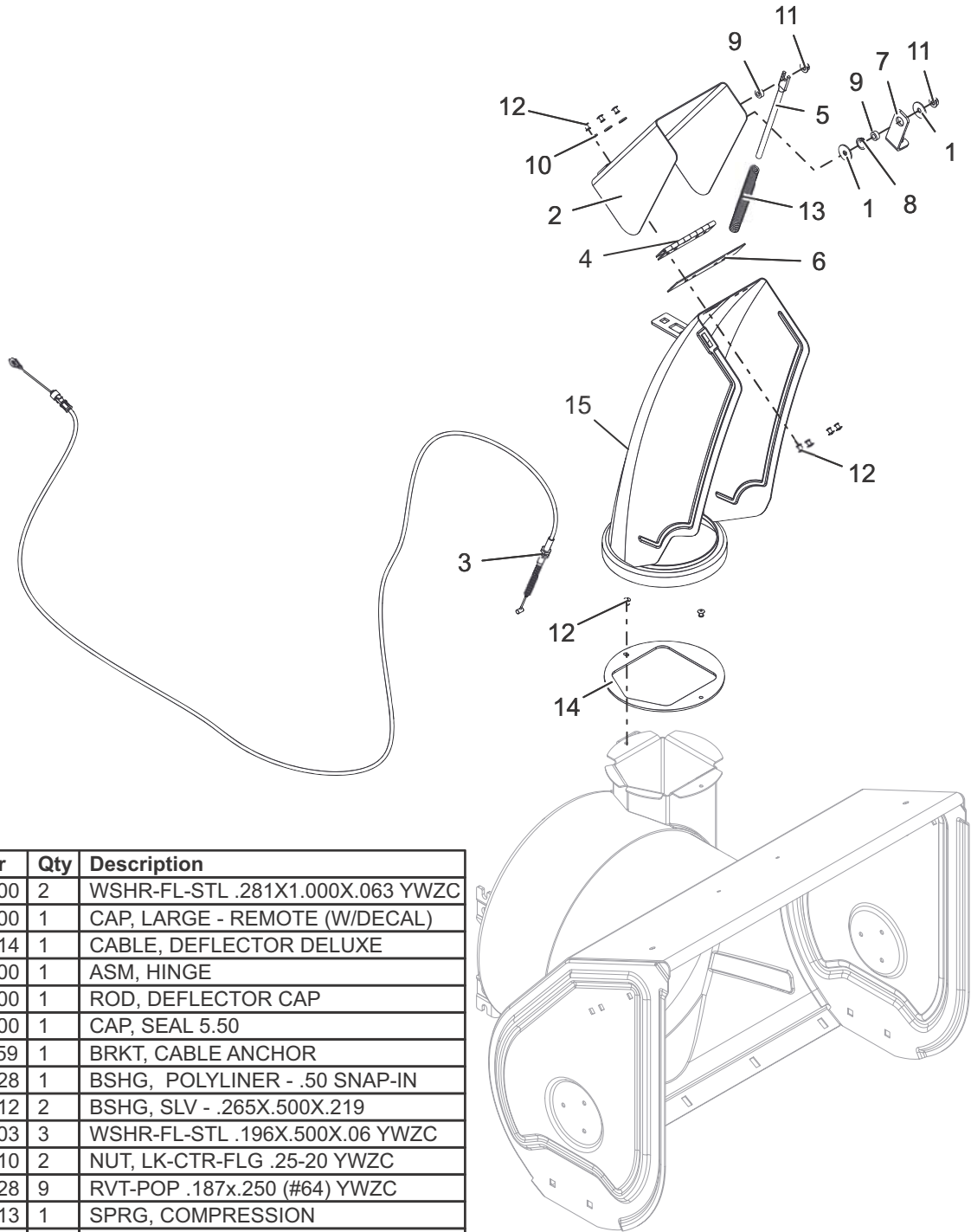
Model 921326



BOM ID	Number	Qty	Description
1	52107900	1	SERVICE, DASH PANEL - W/ DECALS
2	04762800	1	GROMMET, CABLE , QUICK TURN 2
3	04812300	1	ASM, HEADLAMP - HALOGEN 20W - 2 SHOT
4	04836700	1	SWITCH, ROCKER - SPST-ON/OFF
5	04982200	1	BEZEL, DASH - ARIENS LG
6	06100007	1	SCR, -- MCH .25-20X1.50 OVAL HD
7	06500710	1	NUT, LK-CTR-FLG .25-20 YWZC
8	06800038	2	RVT-POP #43 .125x.313 STL ZINC
9	07400107	4	SCR-TAP #10X.500 BOSS INDHXHD
10	06305200	1	WSHR, LK-INT .250 TH TYA
11	06220100	1	BLT, RDHDXLSQNK .25-20X1.25 G5YZ
12	04329600	1	HARNES, LIGHT & HAND WARMER

# DISCHARGE CHUTE

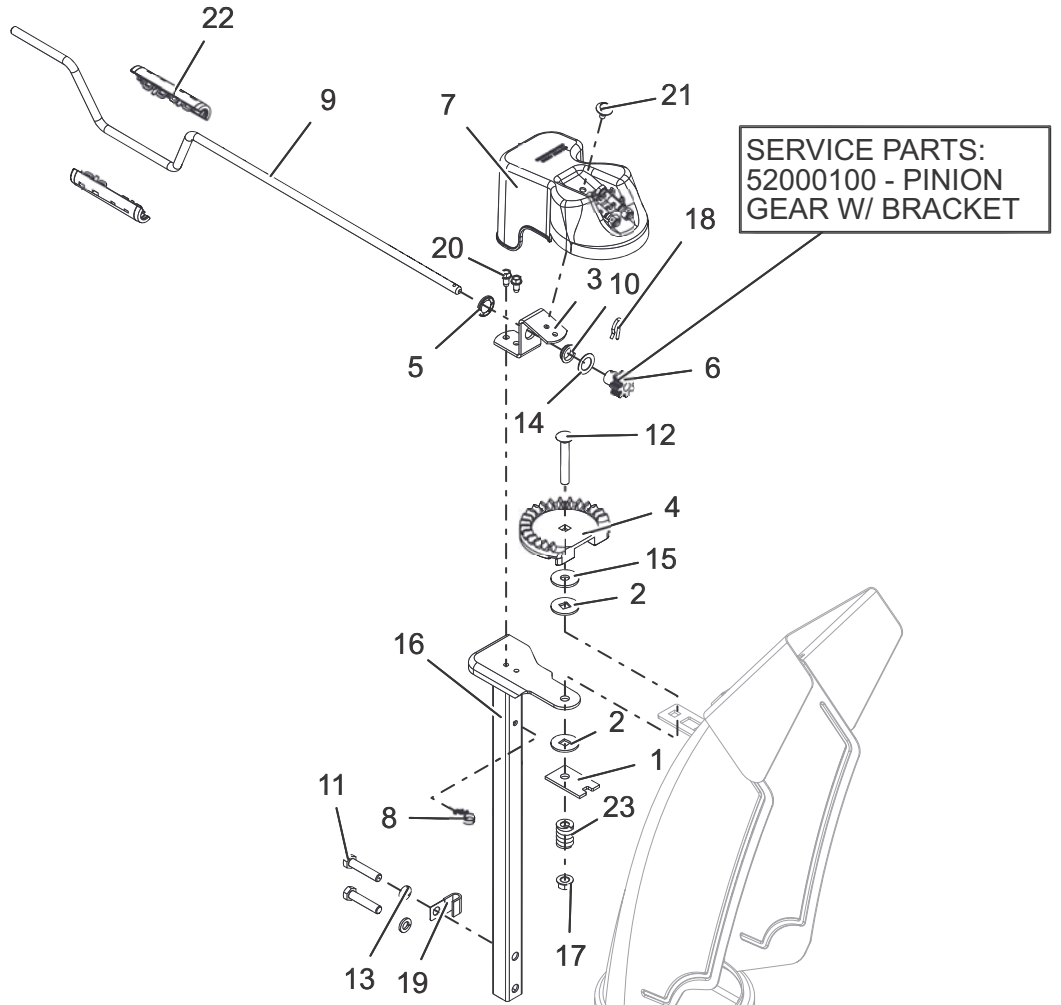
Models 921045, 046, 047, 048, 049, 323, 324, 325



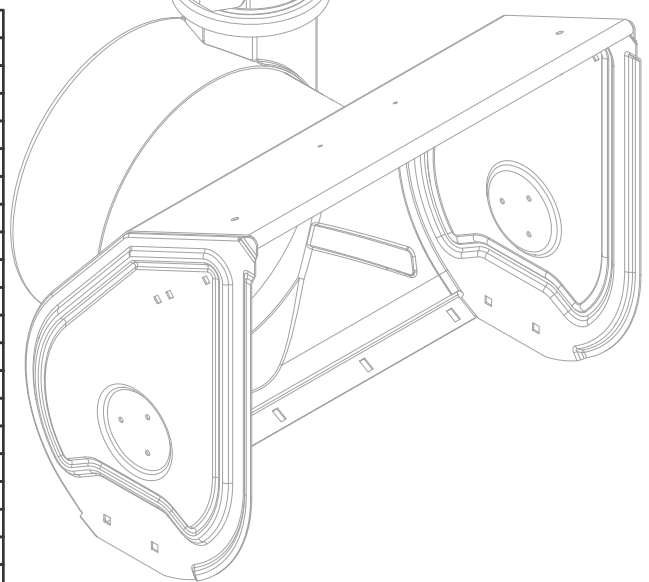
BOM ID	Number	Qty	Description
1	06426600	2	WSHR-FL-STL .281X1.000X.063 YWZC
2	52108900	1	CAP, LARGE - REMOTE (W/DECAL)
3	06900614	1	CABLE, DEFLECTOR DELUXE
4	00170100	1	ASM, HINGE
5	00389000	1	ROD, DEFLECTOR CAP
6	00628400	1	CAP, SEAL 5.50
7	04115359	1	BRKT, CABLE ANCHOR
8	05500028	1	BSHG, POLYLINER - .50 SNAP-IN
9	05501012	2	BSHG, SLV - .265X.500X.219
10	06400003	3	WSHR-FL-STL .196X.500X.06 YWZC
11	06500710	2	NUT, LK-CTR-FLG .25-20 YWZC
12	06800028	9	RVT-POP .187x.250 (#64) YWZC
13	08300013	1	SPRG, COMPRESSION
14	00600100	1	BAFFLE, DISCHARGE NECK
15	04750959	1	CHUTE, DISCHARGE RMT, ID

# DISCHARGE CHUTE CONTROLS – CRANK

Models 921045, 046

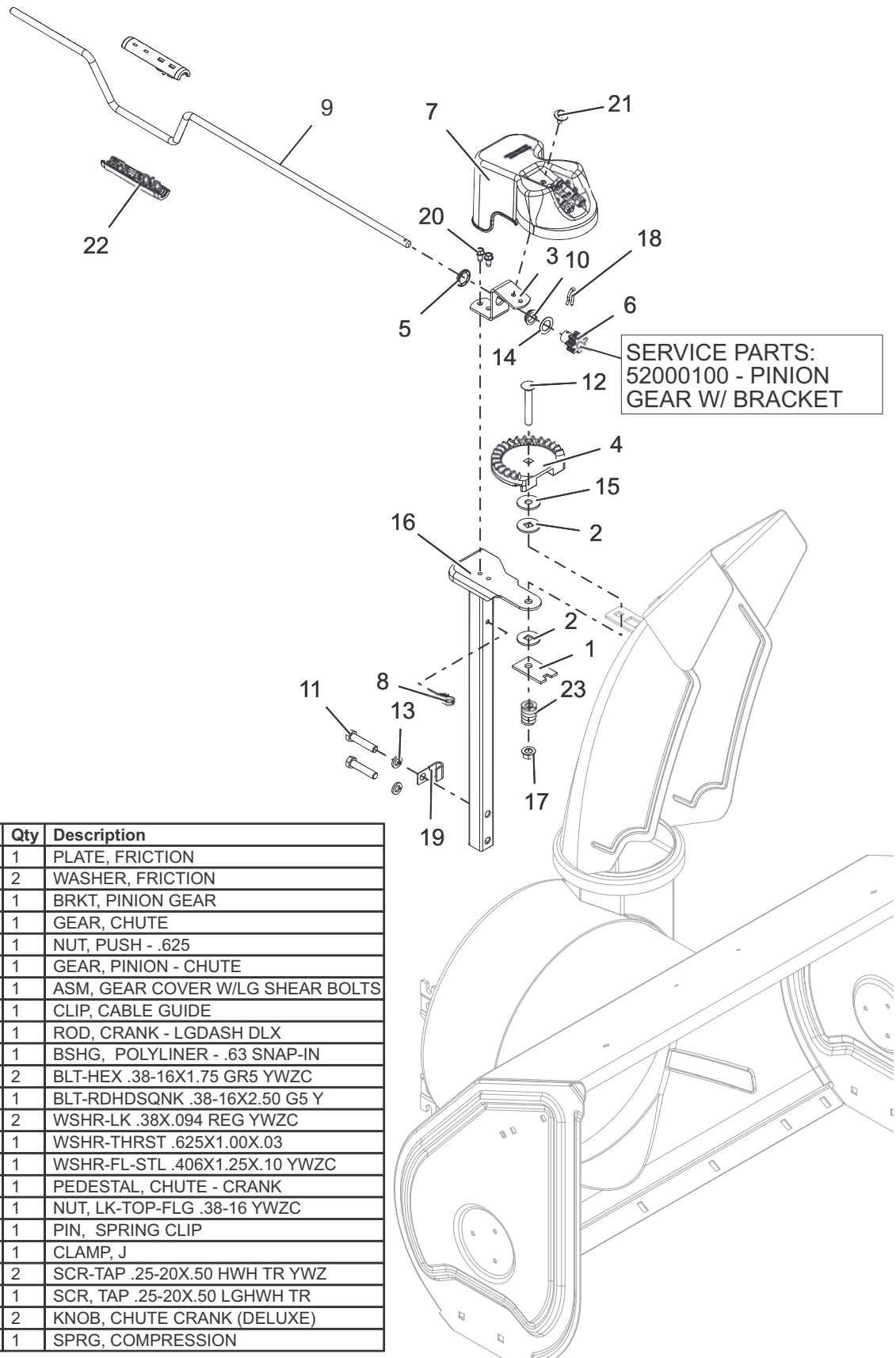


BOM ID	Number	Qty	Description
1	00398000	1	PLATE, FRICTION
2	01123800	2	WASHER, FRICTION
3	01972451	1	BRKT, PINION GEAR
4	03222900	1	GEAR, CHUTE
5	03224300	1	NUT, PUSH - .625
6	03735300	1	GEAR, PINION - CHUTE
7	04456500	1	ASM, GEAR COVER W/LG SHEAR BOLTS
8	04451600	1	CLIP, CABLE GUIDE
9	05000400	1	ROD, CRANK - SMDASH DLX
10	05500021	1	BSHG, POLYLINER - .63 SNAP-IN
11	05958500	2	BLT-HEX .38-16X1.75 GR5 YWZC
12	06224400	1	BLT-RDHDSQNK .38-16X2.50 G5 Y
13	06308800	2	WSHR-LK .38X.094 REG YWZC
14	06400009	1	WSHR-THRST .625X1.00X.03
15	06400917	1	WSHR-FL-STL .406X1.25X.10 YWZC
16	00658351	1	PEDESTAL, CHUTE - CRANK
17	06542000	1	NUT, LK-TOP-FLG .38-16 YWZC
18	06714500	1	PIN, SPRING CLIP
19	06909400	1	CLAMP, J
20	07400034	2	SCR-TAP .25-20X.50 HWH TR YWZ
21	07400104	1	SCR, TAP .25-20X.50 LGHWH TR
22	07500332	2	KNOB, CHUTE CRANK (DELUXE)
23	08320900	1	SPRG, COMPRESSION



# DISCHARGE CHUTE CONTROLS – CRANK

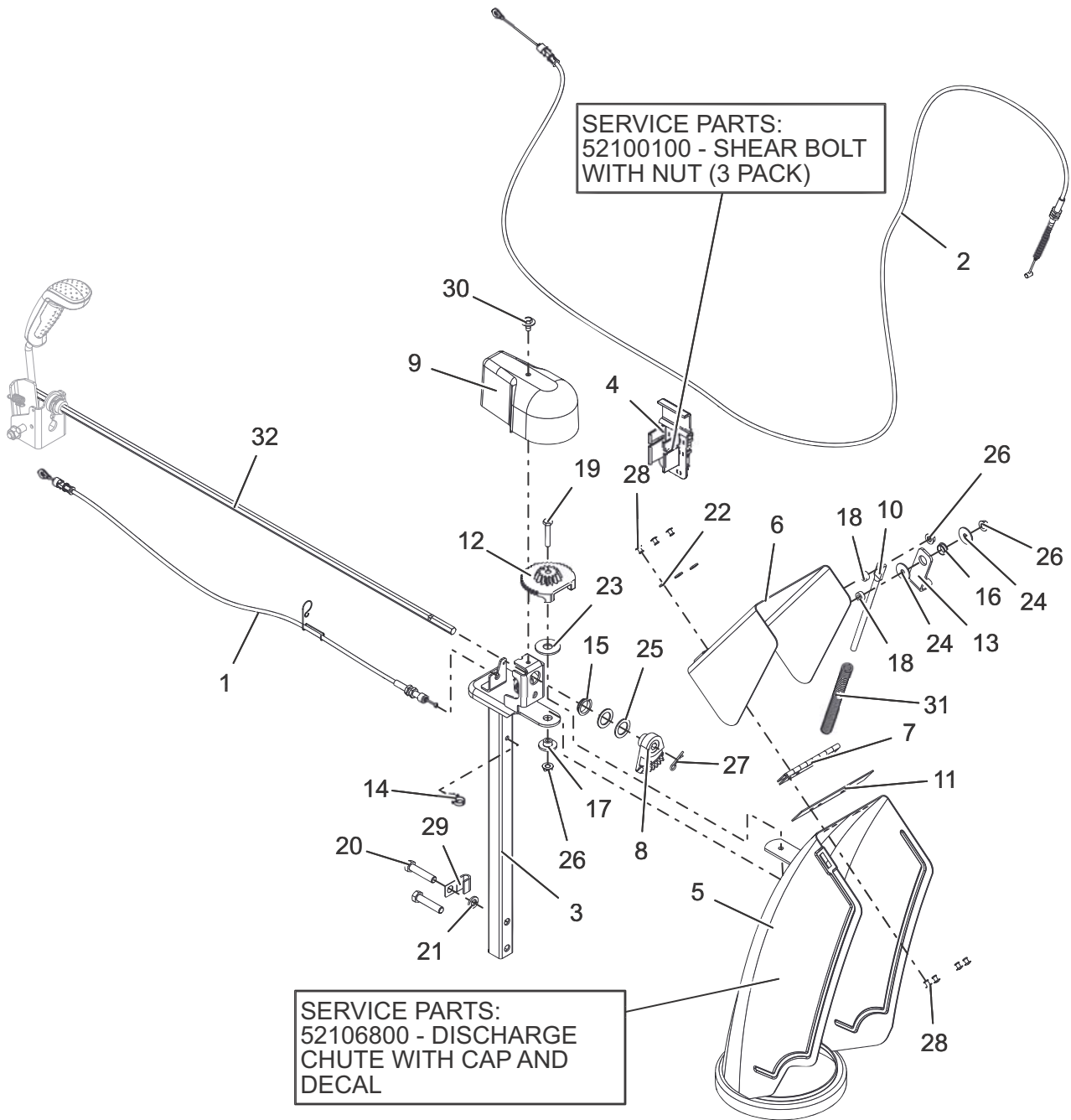
Model 921047, 048, 049, 323, 324, 325



BOM ID	Number	Qty	Description
1	00398000	1	PLATE, FRICTION
2	01123800	2	WASHER, FRICTION
3	01972451	1	BRKT, PINION GEAR
4	03222900	1	GEAR, CHUTE
5	03224300	1	NUT, PUSH - .625
6	03735300	1	GEAR, PINION - CHUTE
7	04456500	1	ASM, GEAR COVER W/LG SHEAR BOLTS
8	04451600	1	CLIP, CABLE GUIDE
9	05000500	1	ROD, CRANK - LGDASH DLX
10	05500021	1	BSHG, POLYLINER - .63 SNAP-IN
11	05958500	2	BLT-HEX .38-16X1.75 GR5 YWZC
12	06224400	1	BLT-RDHDSQNK .38-16X2.50 G5 Y
13	06308800	2	WSHR-LK .38X.094 REG YWZC
14	06400009	1	WSHR-THRST .625X1.00X.03
15	06400917	1	WSHR-FL-STL .406X1.25X.10 YWZC
16	00658351	1	PEDESTAL, CHUTE - CRANK
17	06542000	1	NUT, LK-TOP-FLG .38-16 YWZC
18	06714500	1	PIN, SPRING CLIP
19	06909400	1	CLAMP, J
20	07400034	2	SCR-TAP .25-20X.50 HWH TR YWZ
21	07400104	1	SCR, TAP .25-20X.50 LGHWH TR
22	07500332	2	KNOB, CHUTE CRANK (DELUXE)
23	08320900	1	SPRG, COMPRESSION

# DISCHARGE CHUTE – TRACK

Model 921326



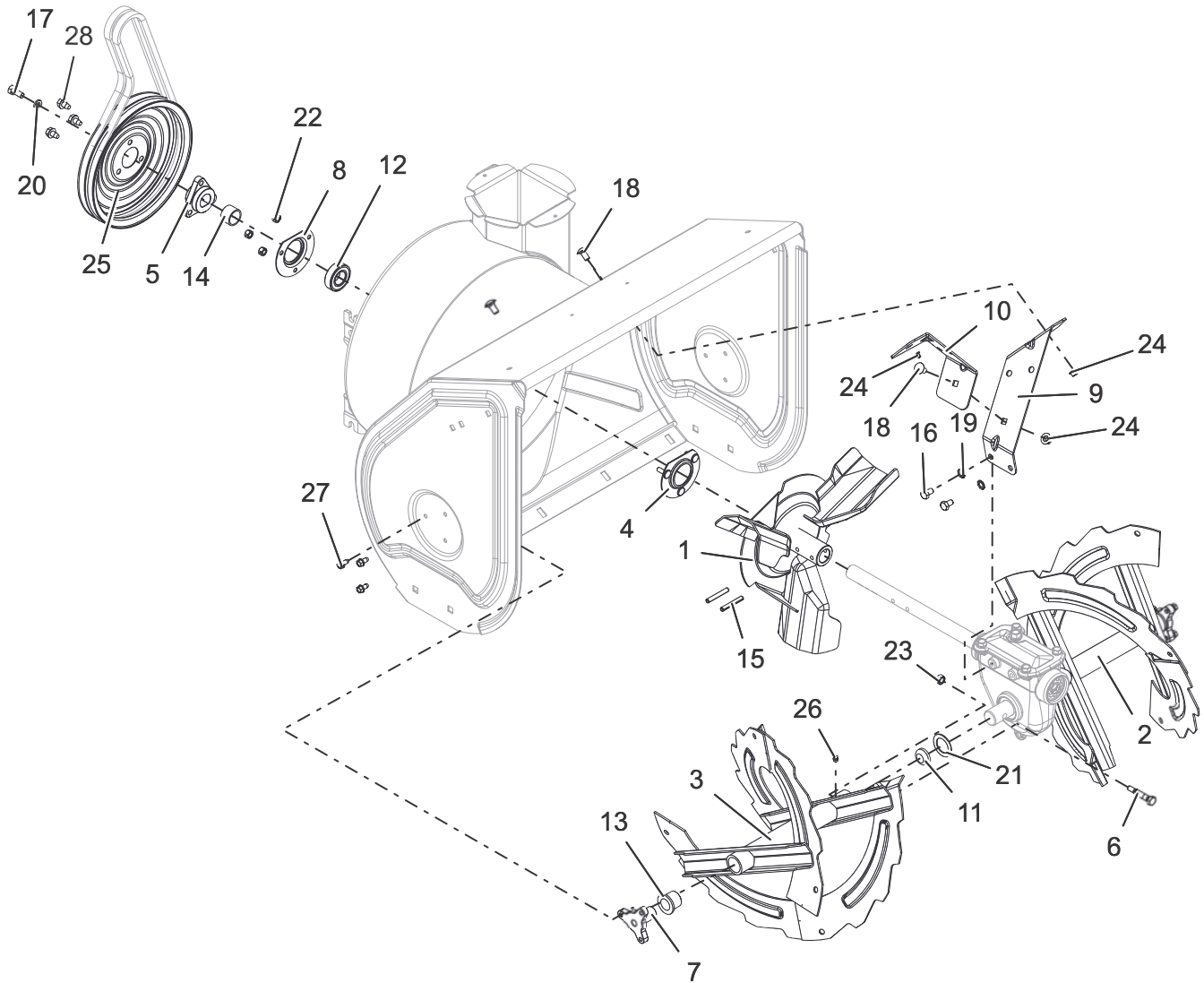
BOM ID	Number	Qty	Description
1	06900615	1	CABLE, CHUTE LOCK, PRO
2	06900614	1	CABLE, DEFLECTOR DELUXE
3	03897451	1	PEDESTAL, CHUTE -QUICK STICK
4	52104700	1	HOLDER, W/ LARGE SHEAR BOLTS + NUTS
5	04753259	1	CHUTE, DISCHARGE , NOTCHED, QT
6	52108900	1	CAP, LARGE - REMOTE (W/DECAL)
7	00170100	1	ASM, HINGE
8	00184300	1	GEAR, CHUTE ACTUATION
9	00261700	1	COVER, CHUTE GEAR
10	00389000	1	ROD, DEFLECTOR CAP
11	00628400	1	CAP, SEAL 5.50
12	03898700	1	GEAR, CHUTE
13	04115359	1	BRKT, CABLE ANCHOR
14	04451600	1	CLIP, CABLE GUIDE
15	05500027	1	BSHG, POLYLINER - .75 SNAP-IN
16	05500028	1	BSHG, POLYLINER - .50 SNAP-IN
17	05500920	1	BSHG, FLG .265 X .477 X .375 X 1.00

BOM ID	Number	Qty	Description
18	05501012	2	BSHG, SLV - .265X.500X.219
19	05952500	1	BLT-HEX .25-20X1.50 GR5 YWZC
20	05958500	2	BLT-HEX .38-16X1.75 GR5 YWZC
21	06308800	1	WSHR-LK .38X.094 REG YWZC
22	06400003	3	WSHR-FL-STL .196X.500X.06 YWZC
23	06400904	1	WSHR-FL-NYL .515 X 1.375 X .093
24	06426600	2	WSHR-FL-STL .281X1.000X.063 YWZC
25	06441400	2	WSHR-FL-STL .754X1.125X.062 YWZC
26	06500710	3	NUT, LK-CTR-FLG .25-20 YWZC
27	06713500	1	PIN, HAIR INT .08X.18X1.18 YWZC
28	06800028	7	RVT-POP .187x.250 (#64) YWZC
29	06909400	1	CLAMP, J
30	07400104	1	SCR, TAP .25-20X.50 LGHWH TR
31	08300013	1	SPRG, COMPRESSION
32	04507700	1	ROD, HEX - CHUTE ROTATION



# AUGER AND IMPELLER – 24"

Models 921045, 323

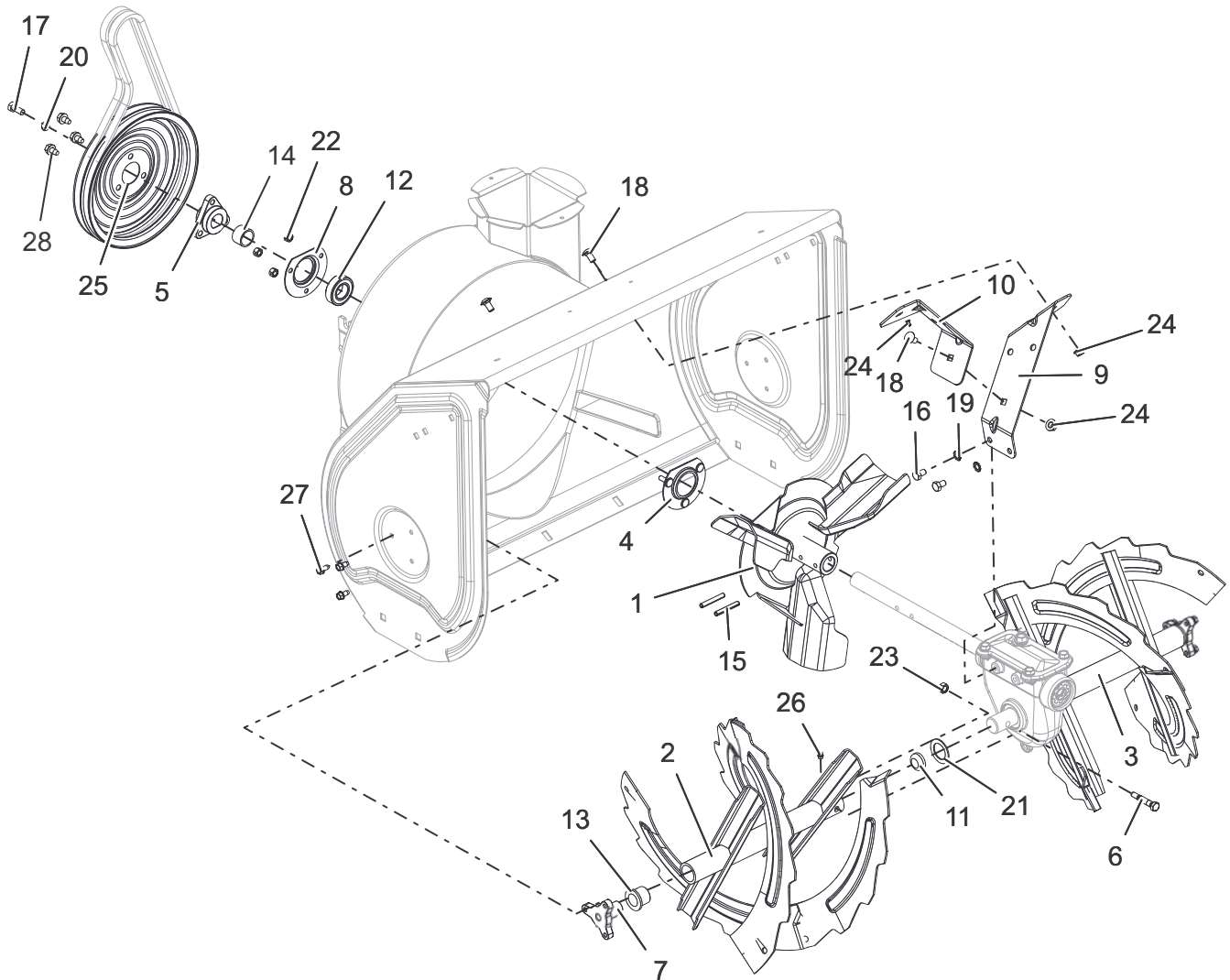


BOM ID	Number	Qty	Description
1	00485551	1	IMPELLER, SNO - 3 BLADE 14"
2	52102600	1	RAKE, LEFT HAND-24" DELUXE, W/ZERK
3	52102700	1	RAKE, RIGHT HAND-24" DELUXE W/ZERK
4	00428700	1	FLANGE, BEARING
5	00268702	1	HUB, PULLEY D-BORE .87
6	52100100	2	ASM, SHEAR BOLT W/NUT (3 PACK)
7	00659200	2	SUPPORT, RAKE BUSHING
8	01014200	1	FLANGE, BEARING
9	04319151	1	BRKT, GEARCASE SUPPORT -LH
10	04319251	1	BRKT, GEARCASE SUPPORT -RH
11	04444000	2	PLUG, RAKE TUBE
12	05409300	1	BRG-BALL .876X1.750X.50
13	05500114	2	BSHG, FLANGE - NY .778 ID X 1.018 OD
14	05501309	1	BSHG, SPCR .895 ID x 1.065 OD x .693
15	05803700	2	PIN-ROLL .250X1.75

BOM ID	Number	Qty	Description
16	05947200	2	BLT-HEX .31-18X.50 GR5 YWZC
17	05947300	1	BLT-HEX .31-24X.75 GR5 YWZC
18	06200118	3	BLT-RHDSSQNK .31-18X.62 G5YZ LOCKING
19	06307200	2	WSHR-LK-EXT .326X.599X.031 YWZC REV
20	06307400	1	WSHR-LK .31X.097 HVY YWZC
21	06436300	1	WSHR-FL-STL 1.010X1.505X.062 YWZC
22	06529700	3	NUT-LK-CTR .25-20 YWZC
23	06529800	2	NUT-LK-CTR .31-18 YWZC
24	06543100	3	NUT, LK-TOP-FLG .312-18 YWZC
25	00268751	1	PULLEY, DUAL GROOVE
26	07061300	2	ZERK, FITTING .25X.125 DRIVE IN
27	07400034	6	SCR-TAP .25-20X.50 HWH TR YWZ
28	07411500	3	SCR-TAP .31-18X.50 HWH TR YWZ

# AUGER AND IMPELLER – 28"

Models 921046, 048, 324, 326

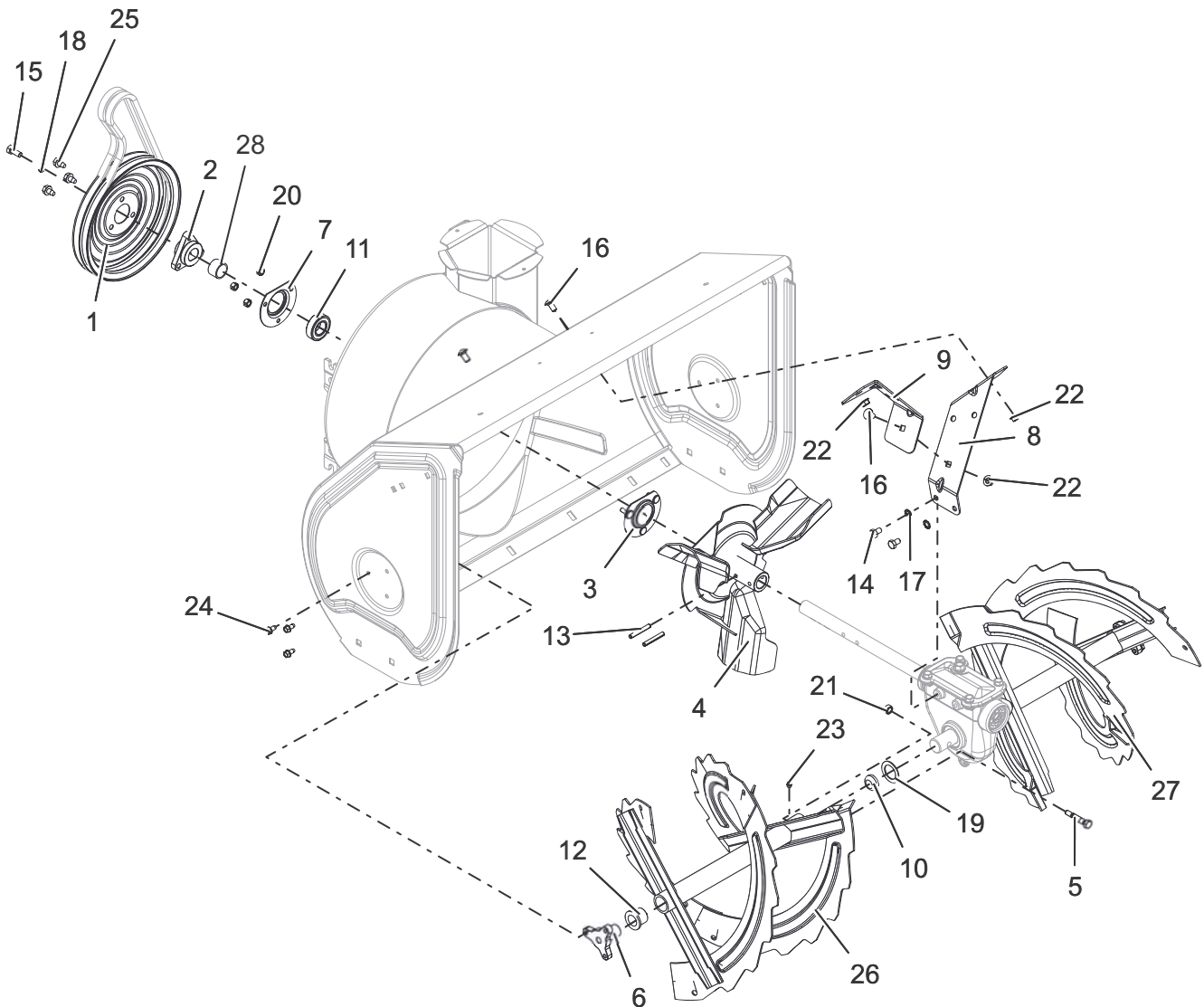


BOM ID	Number	Qty	Description
1	00485551	1	IMPELLER, SNO - 3 BLADE 14"
2	52103500	1	RAKE, RIGHT HAND-28" DELUXE W/ZERK
3	52103400	1	RAKE, LEFT HAND-28" DELUXE W/ZERK
4	00428700	1	FLANGE, BEARING
5	00268702	1	HUB, PULLEY D-BORE .87
6	52100100	2	ASM, SHEAR BOLT W/NUT (3 PACK)
7	00659200	2	SUPPORT, RAKE BUSHING
8	01014200	1	FLANGE, BEARING
9	04319151	1	BRKT, GEARCASE SUPPORT -LH
10	04319251	1	BRKT, GEARCASE SUPPORT -RH
11	04444000	2	PLUG, RAKE TUBE
12	05409300	1	BRG-BALL .876X1.750X.50
13	05500114	2	BSHG, FLANGE - NY .778 ID X 1.018 OD
14	05501309	1	BSHG, SPCR .895 ID x 1.065 OD x .693
15	05803700	2	PIN-ROLL .250X1.75

BOM ID	Number	Qty	Description
16	05947200	2	BLT-HEX .31-18X.50 GR5 YWZC
17	05947300	1	BLT-HEX .31-24X.75 GR5 YWZC
18	06200118	3	BLT-RHDSSQNK .31-18X.62 G5YZ LOCKING
19	06307200	2	WSHR-LK-EXT .326X.599X.031 YWZC REV
20	06307400	1	WSHR-LK .31X.097 HVY YWZC
21	06436300	1	WSHR-FL-STL 1.010X1.505X.062 YWZC
22	06529700	3	NUT-LK-CTR .25-20 YWZC
23	06529800	1	NUT-LK-CTR .31-18 YWZC
24	06543100	3	NUT, LK-TOP-FLG .312-18 YWZC
25	00268751	1	PULLEY, DUAL GROOVE
26	07061300	2	ZERK, FITTING .25X.125 DRIVE IN
27	07400034	6	SCR-TAP .25-20X.50 HWH TR YWZ
28	07411500	3	SCR-TAP .31-18X.50 HWH TR YWZ

# AUGER AND IMPELLER – 30"

Models 921047, 049, 325

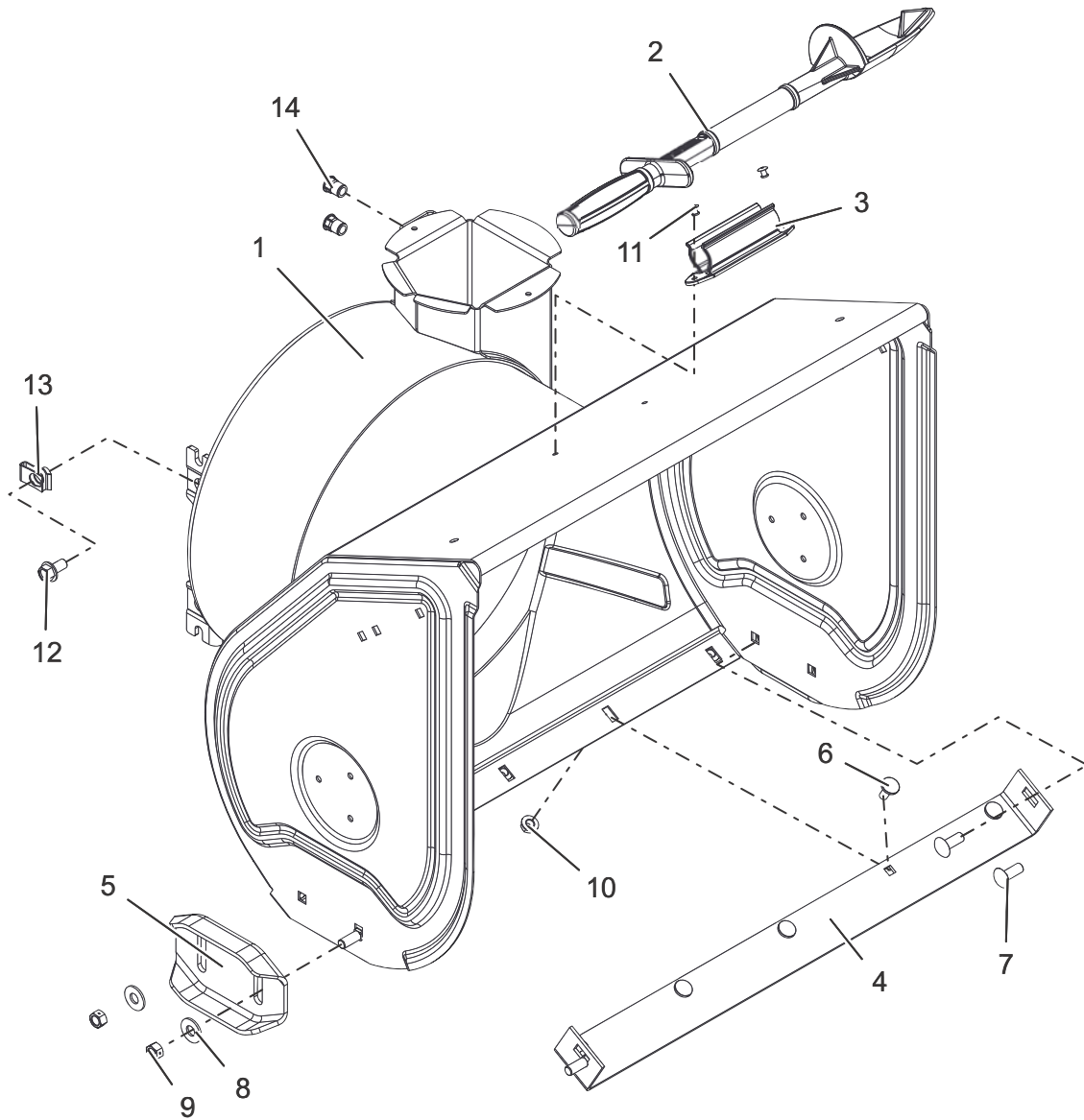


BOM ID	Number	Qty	Description
1	00268751	1	PULLEY, DUAL GROOVE
2	00268702	1	HUB, PULLEY D-BORE .87
3	00428700	1	FLANGE, BEARING
4	00485551	1	IMPELLER, SNO - 3 BLADE 14"
5	52100100	2	ASM, SHEAR BOLT W/NUT (3 PACK)
6	00659200	2	SUPPORT, RAKE BUSHING
7	01014200	1	FLANGE, BEARING
8	04319151	1	BRKT, GEARCASE SUPPORT -LH
9	04319251	1	BRKT, GEARCASE SUPPORT -RH
10	04444000	2	PLUG, RAKE TUBE
11	05409300	1	BRG-BALL .876X1.750X.50
12	05500114	2	BSHG, FLANGE - NY .778 ID X 1.018 OD
13	05803700	2	PIN-ROLL .250X1.75
14	05947200	2	BLT-HEX .31-18X.50 GR5 YWZC
15	05947300	1	BLT-HEX .31-24X.75 GR5 YWZC

BOM ID	Number	Qty	Description
16	06200118	3	BLT-RHDSSQNK .31-18X.62 G5YZ LOCKING
17	06307200	2	WSHR-LK-EXT .326X.599X.031 YWZC REV
18	06307400	1	WSHR-LK .31X.097 HVY YWZC
19	06436300	1	WSHR-FL-STL 1.010X1.505X.062 YWZC
20	06529700	3	NUT-LK-CTR .25-20 YWZC
21	06529800	1	NUT-LK-CTR .31-18 YWZC
22	06543100	3	NUT, LK-TOP-FLG .312-18 YWZC
23	07061300	2	ZERK, FITTING .25X.125 DRIVE IN
24	07400034	6	SCR-TAP .25-20X.50 HWH TR YWZ
25	07411500	3	SCR-TAP .31-18X.50 HWH TR YWZ
26	52103100	1	RAKE, RIGHT HAND - 30" DELUXE W/ZERK
27	52103000	1	RAKE, LEFT HAND - 30" DELUXE W/ZERK
28	05501309	1	BSHG, SPCR .895 ID x 1.065 OD x .693

# HOUSING - 24"

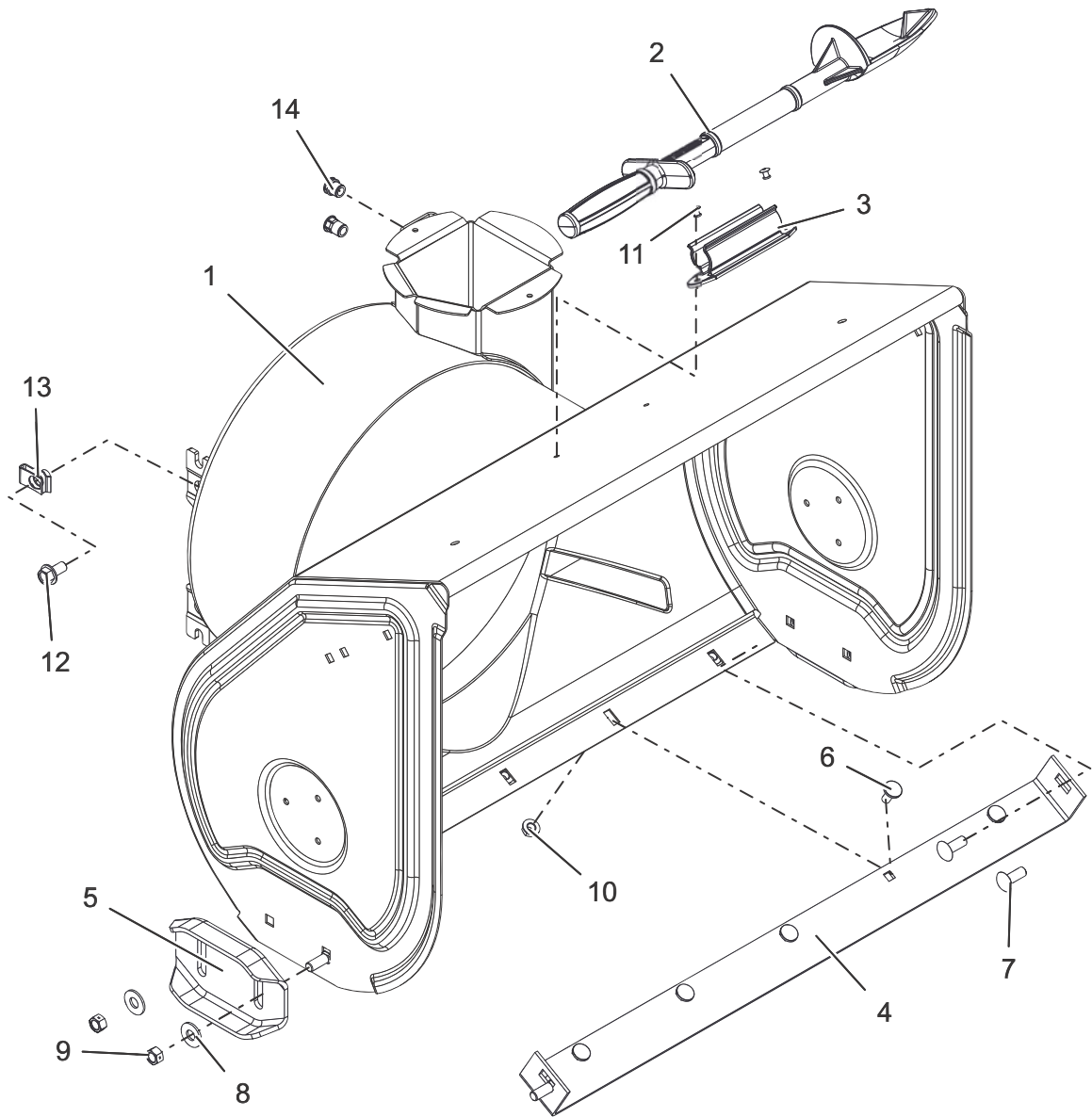
Models 921045, 323



BOM ID	Number	Qty	Description
1	52108400	1	HOUSING, BLOWER - 24" DELUXE W/ DECAL
2	00170200	1	DEVICE, SNOW CLEAN OUT
3	00170300	1	MOUNT, SNOW CLEAN OUT
4	00658559	1	BLADE, SCRAPER - 24"
5	02483859	2	SHOE, SKID - REVERSIBLE
6	06200209	4	BLT, RDHDSQSHK MODIFIED .31-18 X .62 YZ
7	06212000	3	BLT-RDHDSHSQNK.38-16X1.0 G5YZ
8	06435900	2	WSHR-FL-STL.438X1.00X.083 YWZC
9	06529600	2	NUT-LK-CTR .38-16 YWZC
10	06543100	5	NUT, LK-TOP-FLG .312-18 YWZC
11	06800028	2	RVT-POP .187x.250 (#64) YWZC
12	07028500	2	BLT-SERHFWH .38-16X.75 YWZC
13	07053300	2	NUT, RTNR .375-16X.37
14	07001612	2	NUT, THREADED INSERT .38-16

# HOUSING – 28"

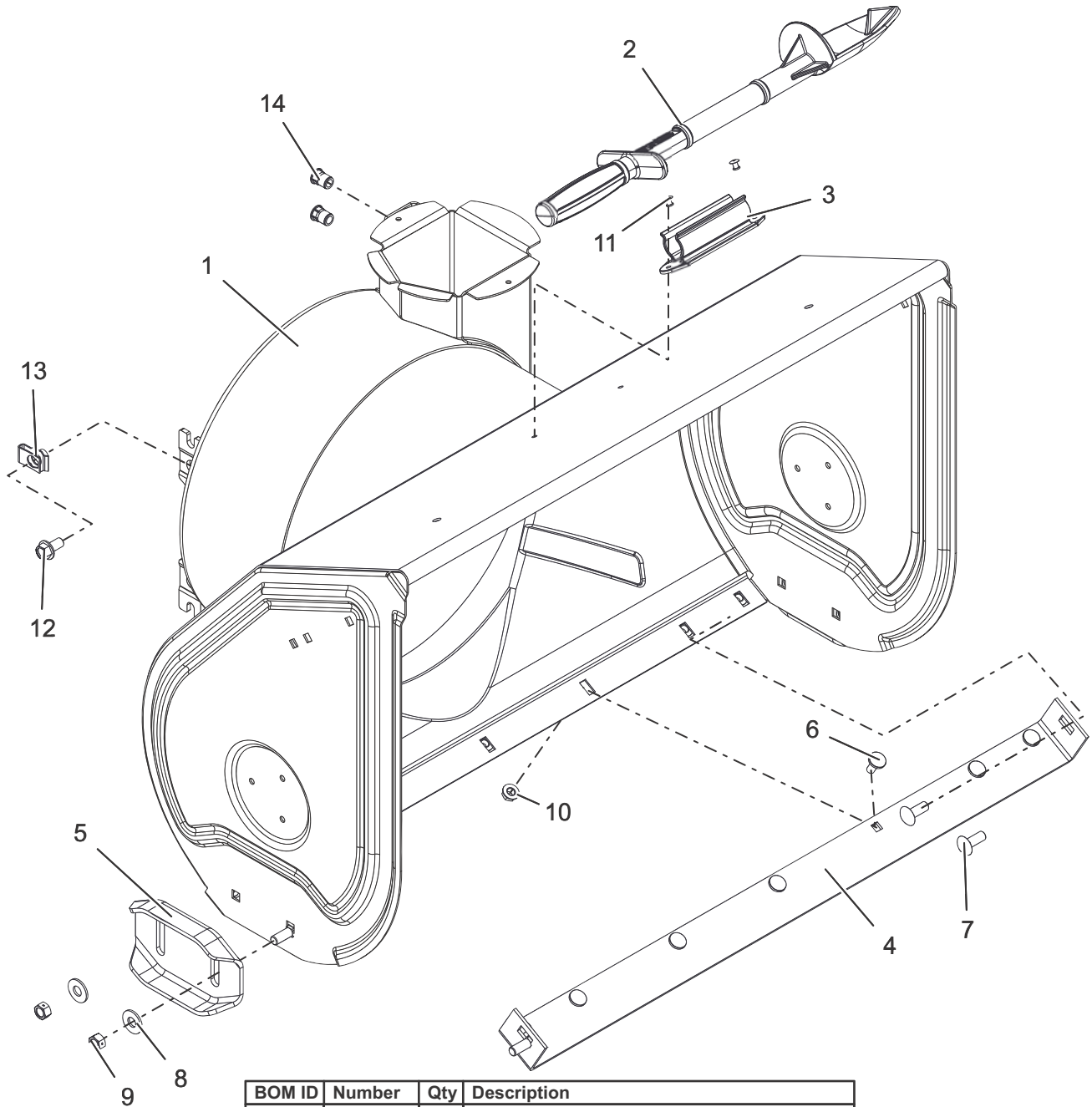
Models 921046, 048, 324, 326



BOM ID	Number	Qty	Description
1	52108500	1	HOUSING, BLOWER - 28" DELUXE W/ DECAL
2	00170200	1	DEVICE,SNOW CLEAN OUT
3	00170300	1	MOUNT, SNOW CLEAN OUT
4	04145959	1	BLADE, SCRAPER-28"
5	02483859	2	SHOE, SKID - REVERSIBLE
6	06200209	4	BLT, RDHDSQSHK MODIFIED .31-18 X .62 YZ
7	06212000	3	BLT-RDHDSHSQNK.38-16X1.0 G5YZ
8	06435900	2	WSHR-FL-STL.438X1.00X.083 YWZC
9	06529600	2	NUT-LK-CTR .38-16 YWZC
10	06543100	5	NUT, LK-TOP-FLG .312-18 YWZC
11	06800028	2	RVT-POP .187x.250 (#64) YWZC
12	07028500	2	BLT-SERHFWH .38-16X.75 YWZC
13	07053300	2	NUT, RTNR .375-16X.37
14	07001612	2	NUT, THREADED INSERT .38-16

# HOUSING – 30"

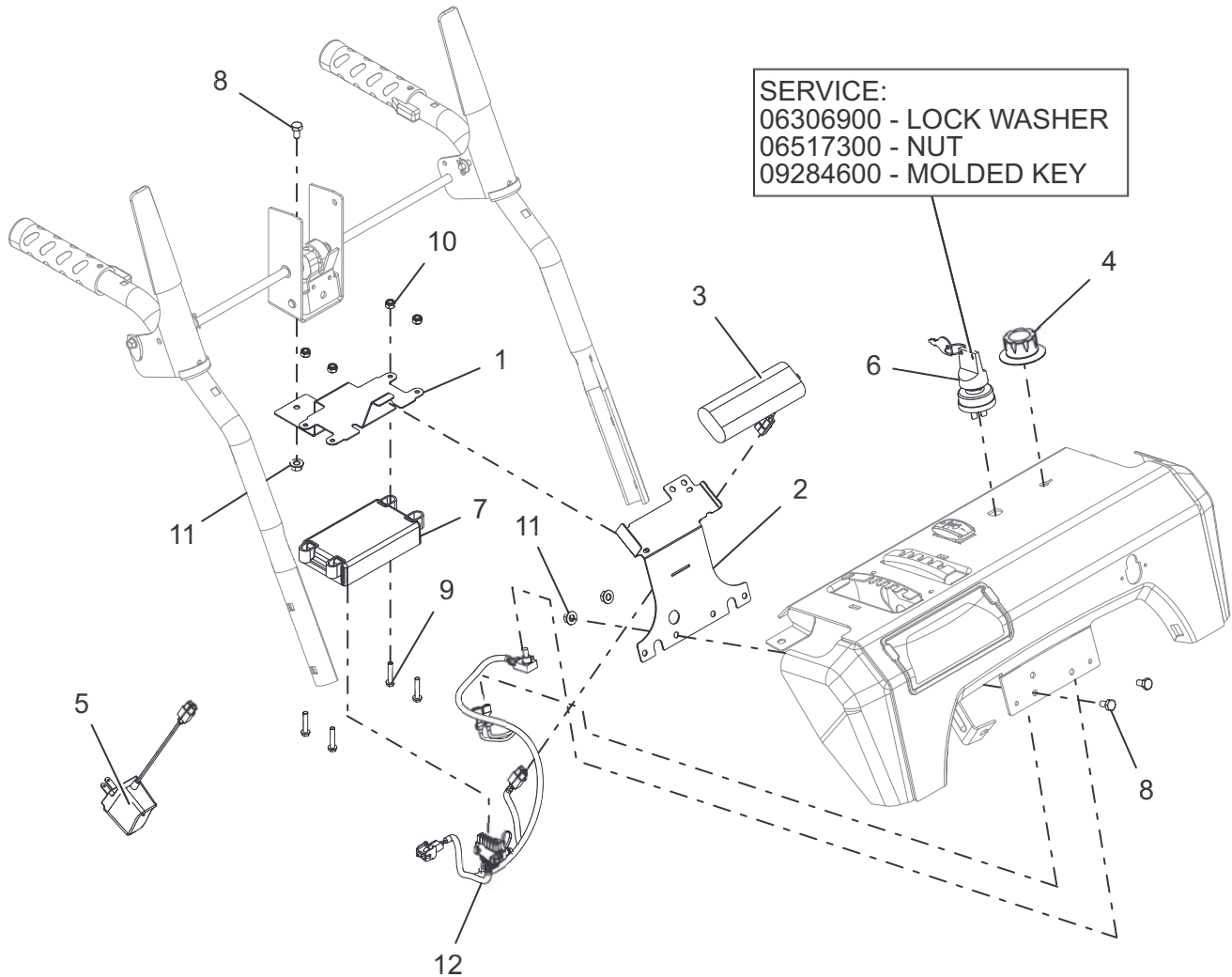
Models 921047, 049, 325



BOM ID	Number	Qty	Description
1	52108600	1	HOUSING, BLOWER - 30" DELUXE W/ DECAL
2	00170200	1	DEVICE,SNOW CLEAN OUT
3	00170300	1	MOUNT, SNOW CLEAN OUT
4	00661159	1	BLADE, SCRAPER- 30"
5	02483859	2	SHOE, SKID - REVERSIBLE
6	06200209	4	BLT, RDHDSQSHK MODIFIED .31-18 X .62 YZ
7	06212000	3	BLT-RDHDSSHQNK.38-16X1.0 G5YZ
8	06435900	2	WSHR-FL-STL.438X1.00X.083 YWZC
9	06529600	2	NUT-LK-CTR .38-16 YWZC
10	06543100	5	NUT, LK-TOP-FLG .312-18 YWZC
11	06800028	2	RVT-POP .187x.250 (#64) YWZC
12	07028500	2	BLT-SERHFWH .38-16X.75 YWZC
13	07053300	2	NUT, RTNR .375-16X.37
14	07001612	2	NUT, THREADED INSERT .38-16

# ELECTRICAL – EFI

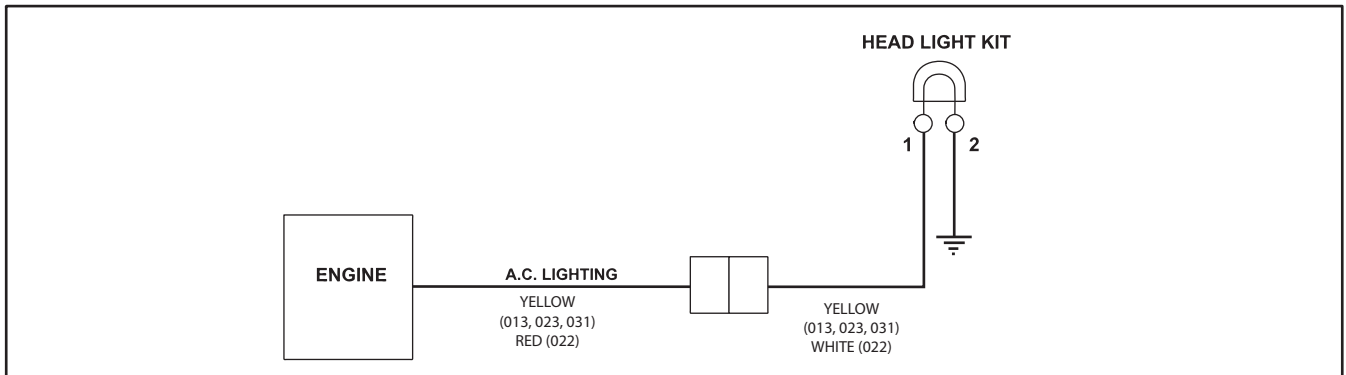
Model 921049



BOM ID	Number	Qty	Description
1	04996651	1	BRKT, ENGINE - LCT EFI LOWER (BLACK)
2	04996751	1	BRKT, ENGINE - LCT EFI UPPER (BLACK)
3	05076500	1	BATTERY,
4	05079400	1	KNOB, CONTROL
5	05079500	1	CHARGER, BATTERY
6	05079600	1	IGNITION, SWITCH ASM - 2 POS
7	20003127	1	ECU, ENGINE - AX306 LCT
8	05947900	3	BOLT, HEX 0.25-20X0.5 GR5
9	06118500	4	@SCR-MCH 10-24X1.00 HWH YWZC
10	06536000	4	NUT-LK-NYL #10-24 YWZC
11	06543500	3	NUT, LK-TOP-FLG .25-20 YWZC
12	04992800	1	HARNES, WIRE - EFI ECU

# ELECTRICAL AND WIRING DIAGRAM – HEADLIGHT

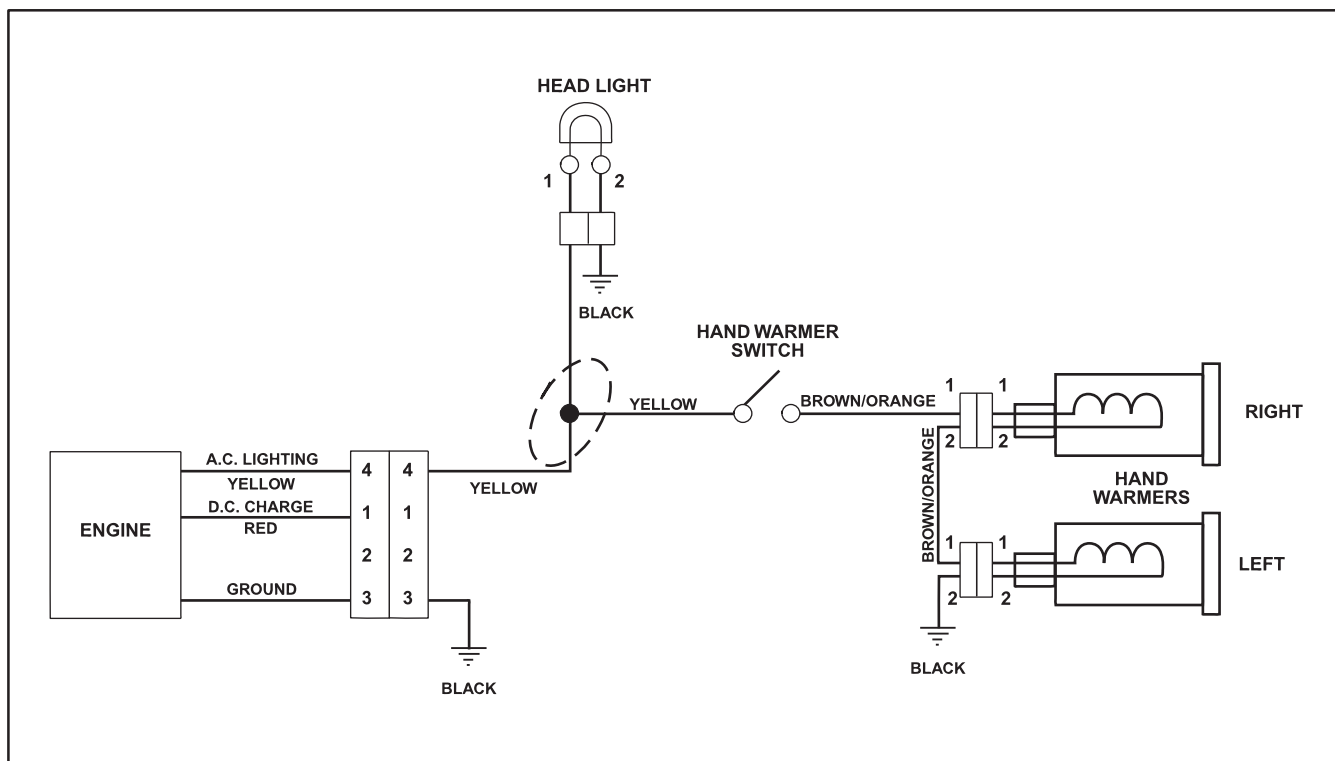
Models 921045, 046, 048





# ELECTRICAL AND WIRING DIAGRAM – HEADLIGHT & HEATED HAND GRIPS

Models 921047,049, 323, 324, 325, 326

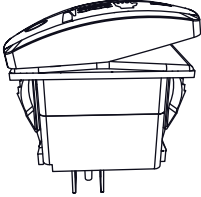
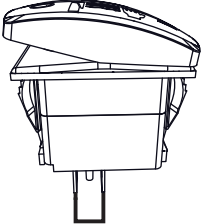
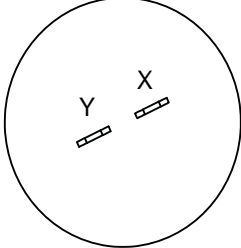
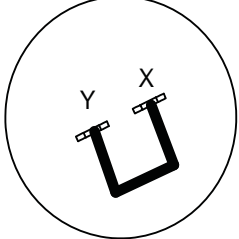


# SWITCH – DIAGRAM

## Models All

The diagram below show the various states of connection for electrical components.  
The solid lines on switches show continuity.

**NOTE:** All switches are viewed from the rear.

Models 921049, 323,324,325,326	Model 921049
 <p data-bbox="168 634 440 695">HEATED HAND GRIPS OFF</p>  <p data-bbox="505 634 776 695">HEATED HAND GRIPS ON</p>	 <p data-bbox="862 684 1062 716">OFF POSITION</p>  <p data-bbox="1224 684 1414 716">ON POSITION</p>



**ARIENS**  
THE KING OF SNOW

Ariens Company  
655 West Ryan Street  
Brillion, WI 54110

[ariensstore.com](http://ariensstore.com)  
(Dealer Locator)

[ariens.custhelp.com](http://ariens.custhelp.com)  
(Customer Support)



An *Ariens* Company Brand