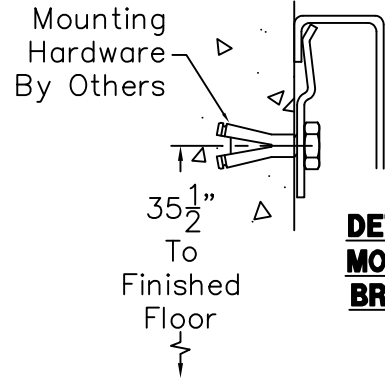
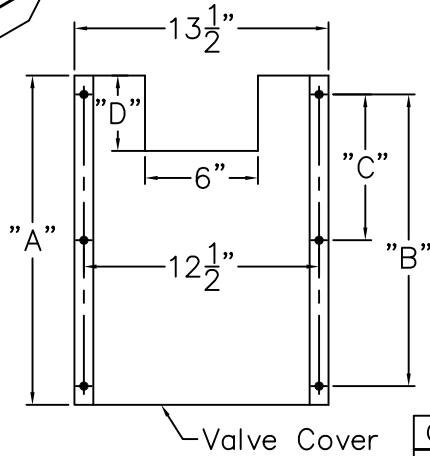
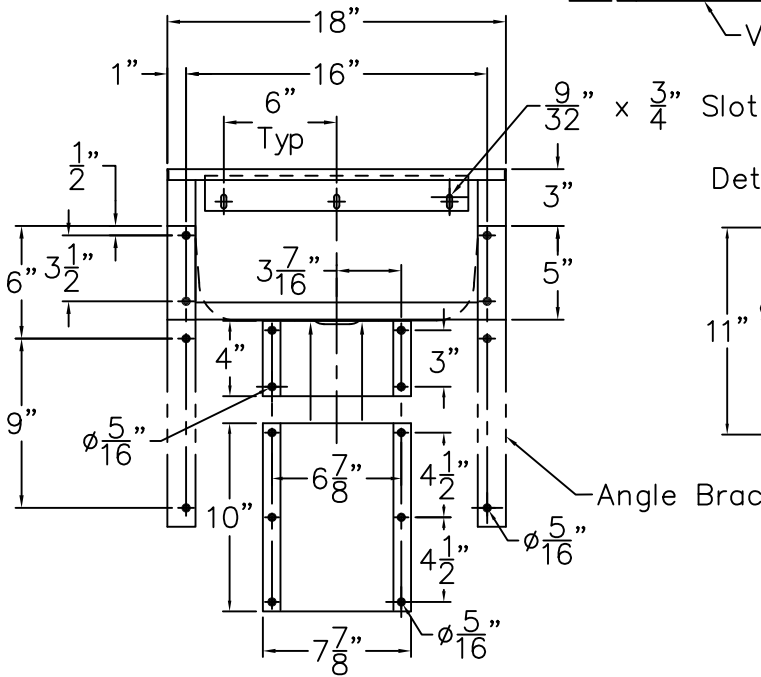


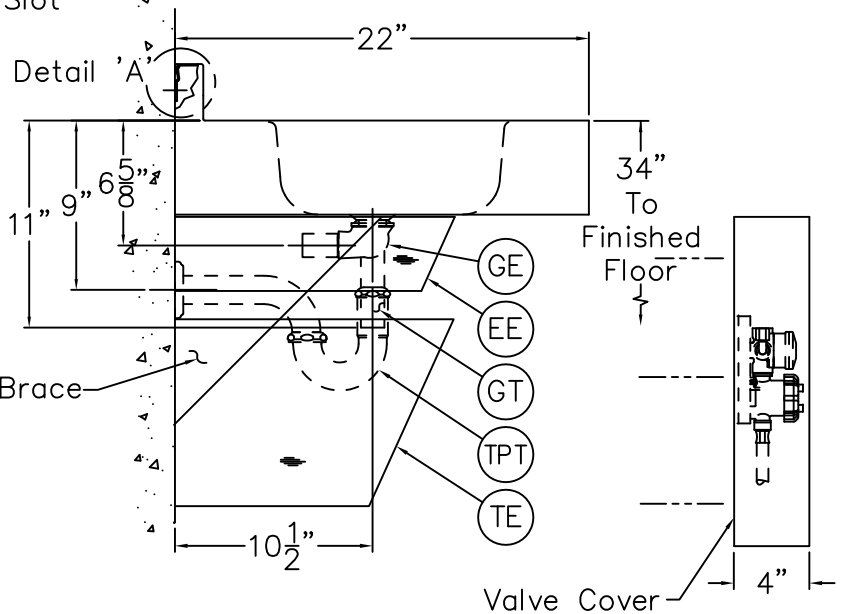
REFERENCE DRAWINGS	
Hot & Cold Valve	9908-105-002
Single Temp Valve	9908-106-002



**DETAIL 'A'
MOUNTING
BRACKET**



OPTION	DIM "A"	DIM "B"	DIM "C"	DIM "D"
-EE	17-1/2"	15-1/2"	7-3/4"	4"
-TE	23-1/2"	21-1/2"	10-3/4"	10"



INSTALLATION INSTRUCTIONS

- A- SEE TABLE FOR CURRENT VALVE INSTALLATION SHEET.
- B- INSTALL MOUNTING BRACKET. SEE DETAIL "A".
- C- INSTALL WALL ANCHORS AND ATTACH FIXTURE. WALL ANCHORS AND ANCHORING HARDWARE BY OTHERS.
- D- MAKE WASTE CONNECTIONS. DIMENSIONS VARY DEPENDING ON OPTIONAL WASTE CONNECTION SELECTED:
 - GE GRID STRAINER WITH CLOSE ELBOW- 1-1/4" OD COMPRESSION CONNECTION
 - GT GRID STRAINER WITH TAILPIECE- 1-1/4" OD COMPRESSION CONNECTION
 - TPT TUBING P-TRAP 1-1/4" x 1-1/2" OD

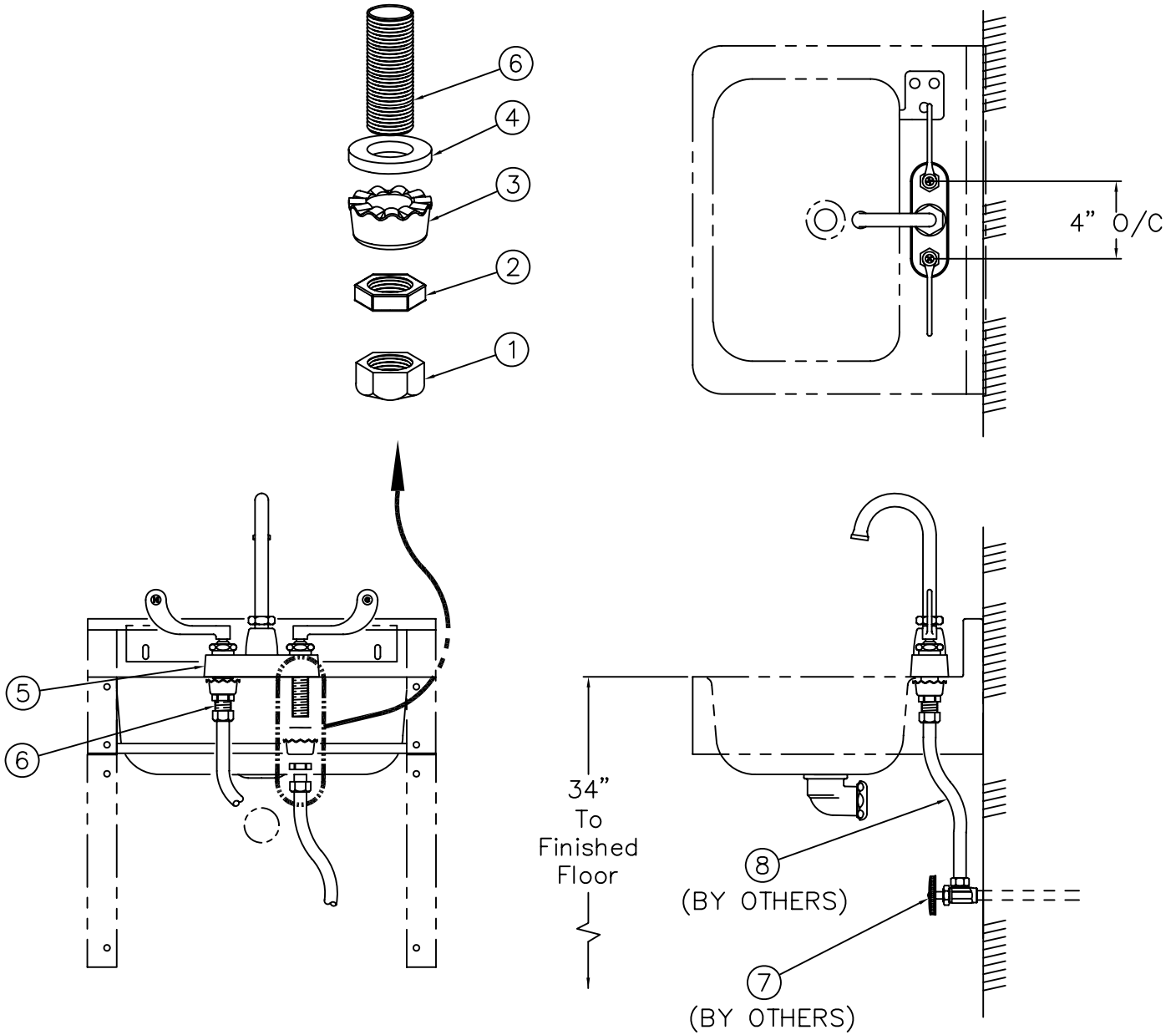
NOTE: REFER TO A.D.A. ACCESSIBILITY GUIDELINES FOR COMPLETE INSTALLATION REQUIREMENTS

- E- OPTIONAL ENCLOSURES:
 - EE ELBOW ENCLOSURE FOR USE WITH -GE GRID STRAINER W/ CLOSE ELBOW
 - TE TRAP ENCLOSURE FOR USE WITH -TPT P-TRAP OR -GT GRID STRAINER W/ TAILPIECE
- F- ROUGH-IN PLUMBING AND FLUSH SUPPLY LINES.
- G- MOUNT OPTIONAL TRAP/ELBOW ENCLOSURE AND VALVE COVER AFTER INSTALLING PLUMBING. HARDWARE BY OTHERS.



ACORN ENGINEERING COMPANY
P.O. BOX 3527 Industry, CA 91744
15125 Proctor Ave Industry, CA 91746
(626) 336-4561 FAX (626) 961-2200

TITLE		
ADA COMPLIANT WALL HUNG LAVATORY - CAT. #1953-ADA		
MANUFACTURE DATE	DATE ISSUED	DRAWING NUMBER
JANUARY 1980 TO PRESENT	09-29-92	9908-006-001
	DATE REVISED	
	05/27/15	



INSTALLATION INSTRUCTIONS

A—Remove The Following From The Gooseneck Assembly. Compression Nuts (1), Locknuts (2), Bell Spacers (3), And Washers (4).

B—Mount Remaining Gooseneck Valve Assembly (5) To Lavatory, Inserting Threaded Inlets (6) Thru Center Set Holes (4" O/C). Following Gooseneck Valve Manufacture's Installation Instructions.

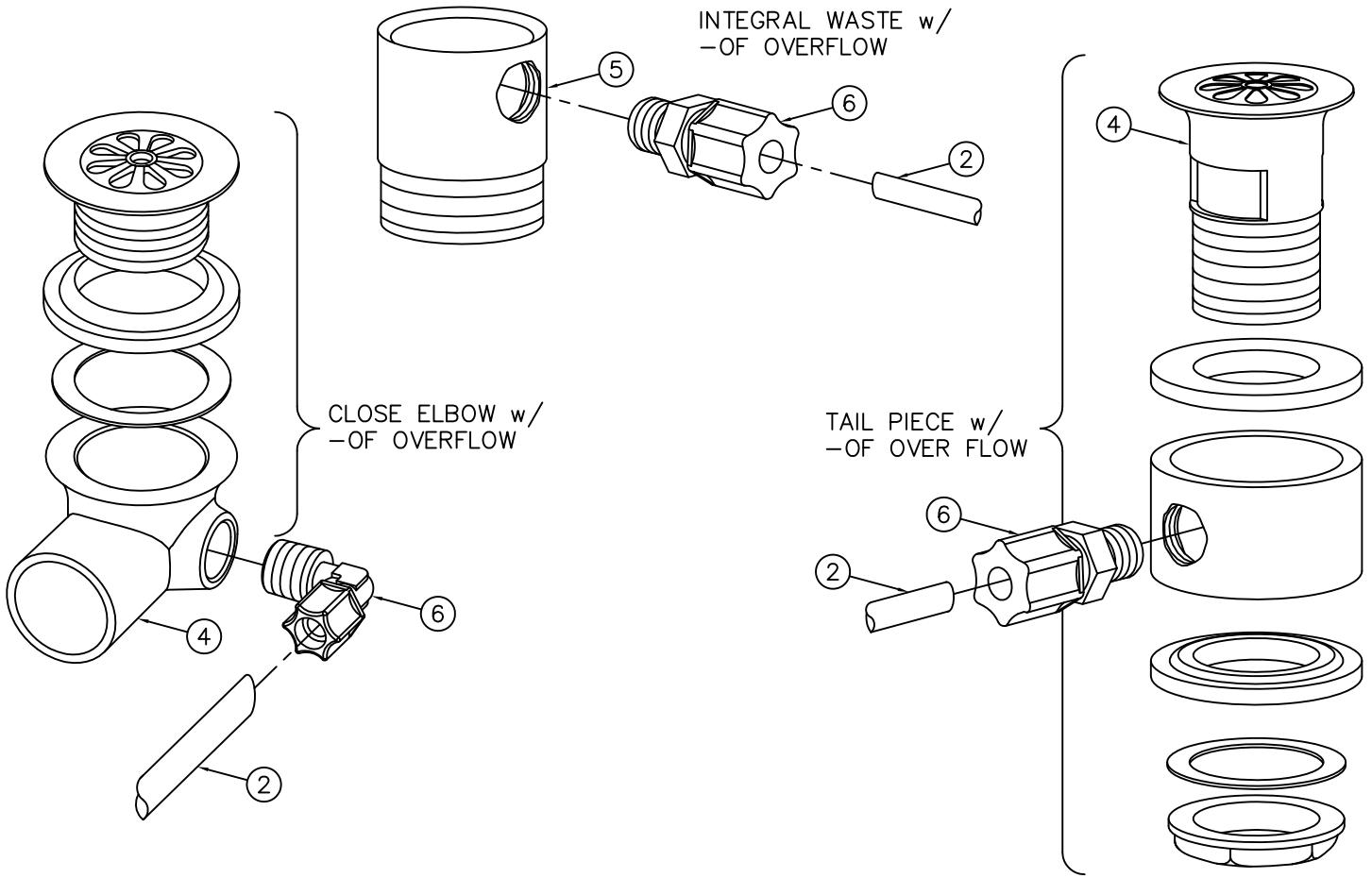
C—Reattach Washers (4), Bell Spacer (3), And Locknuts (2) To Threaded Inlets (6), And Tighten.

D—In Stall Riser (7) (BY OTHERS) To Angle Stop (8) (BY OTHERS) To Compression Nut (1). Screw Onto Threaded Stubs. Remove The Following From The Gooseneck Assembly. Compression Nuts (1), Locknuts (2), Bell Spacers (3), And Washers (4).



ACORN ENGINEERING COMPANY
P.O. BOX 3527 INDUSTRY, CA. 91744
(626) 336-4561 FAX (626) 961-2200

TITLE DECK MOUNTED WRISTBLADE VALVE CAT. *1950, *1951, & *1953		
MANUFACTURE DATE JAN 1980 TO PRESENT	DATE ISSUED 06-01-90	DRAWING NUMBER 9908-110-001
	DATE REVISED 08/06/07	



NOTES:

- TEFLON TAPE IS RECOMMENDED FOR ALL THREAD CONNECTIONS.
- APPLY BEAD OF PLUMBER'S PUTTY TO DRAIN DEPRESSION ON BASIN PRIOR TO ASSEMBLING DRAIN TO UNIT. REMOVE ANY EXCESSIVE PUTTY IF NECESSARY.

INSTALLATION INSTRUCTIONS:

- A- ASSEMBLE 3/8" NPT x 3/8" OD ELBOW (1) TO 3/8" PE TUBE PROVIDED (2). THREAD OVERFLOW INSERT (3) THROUGH OVERFLOW OPENING(S) IN BASIN AND HAND TIGHTEN THE INSERT (3) TO THE ELBOW ASSEMBLY.
- B- ASSEMBLE APPLICABLE WASTE CONNECTION (4) TO DRAIN OPENING AS SHOWN. NOTE: INTEGRAL DRAIN (5) REQUIRES NO ASSEMBLY.

- C- FIT 3/8" OD PE TUBING (2) FROM OVERFLOW CONNECTION (1) TO OVERFLOW CONNECTION ON WASTE ASSEMBLY. NOTE: INSTALLER MAY CUT PE TUBING TO LENGTH. TIGHTEN 3/8" NPT x 3/8" OD TUBE CONNECTION PROVIDED (6) TO 3/8" OD PE TUBE (2). TIGHTEN TO (4) OR (5) WASTE ASSEMBLY AS SHOWN.

<p>ACORN ENGINEERING COMPANY P.O. BOX 3527 Industry, CA 91744 15125 Proctor Ave Industry, CA 91746 (626) 336-4561 FAX (626) 961-2200</p>	<p>TITLE OPTIONAL -OF OVERFLOW WASTE ASSEMBLY</p>		
	<p>MANUFACTURE DATE</p> <p>JULY 2008</p> <p>TO PRESENT</p>	<p>DATE ISSUED</p> <p>07/21/08</p> <hr/> <p>DATE REVISED</p> <p>01/06/14</p>	<p>DRAWING NUMBER</p> <p>9927-008-001</p>