



## Dura-Ware® 1953 Series

18" Lavatory - ADA Compliant



1953-1-DMS-04-M-GT-TPT



1953-1-CSG-GT-TPT

Fixture May Show Some Available Options

Please visit [www.acorneng.com](http://www.acorneng.com) for most current specifications.

### 18" Lavatory - ADA Compliant

**Fixture** is designed to be installed and serviced on the front side of a finished wall. The fixture is fabricated from 16 gage, type 304 stainless steel and is seamless welded construction. Exterior has a satin finish. Unit conforms with ANSI, UFAS and ADA requirements for accessibility. Compliance is subject to the interpretation and requirements of the local code authority.

**Lavatory Rectangular Bowl** is 14" x 12" x 5" deep. The deck has an integral, self-draining soap dish. The lavatory includes 1-1/2" drain punching to receive optional -GE or -GT grid strainer. Lavatory angle braces and fasteners for securing the braces to the lavatory are furnished. Wall fasteners by others.

**Lavatory Valves** (ADA compliant) available with valves and faucet/spouts that conform with lead free requirements for NSF61, Section 9 and CHSC 116875.

1. Air control pushbutton valves using atmospheric air; metering non-hold open type. Timing is from 5 to 60 seconds. Air control valves can be remotely located up to 10 feet from the operating pushbutton.
2. Electronic valve system using Modular Valve Controller for water metering through precise electronic control of a solenoid valve. Valve timing is from 1 second to 9 minutes. Modular Valve Controller can be remotely located up to 100 feet from the operating pushbutton.
3. Centerset with gooseneck spout and wrist blade handles, suffix -CSG.

**Regularly furnished** are angle braces and fasteners. Mounting screws and anchor shields are furnished by others.

#### GUIDE SPECIFICATION

Provide and install an Acorn Dura-Ware, 18" wide ADA Compliant Lavatory (specify model number and options). Fixture shall be fabricated from heavy gage, type 304 stainless steel. Construction shall be seamless welded with a satin finish exterior. Lavatory deck shall have an integral air-circulating, self-draining soap dish. Lavatory angle braces and fasteners shall be furnished by manufacturer. Installation shall be made in accordance with manufacturer's recommendation and details. Units to conform with ANSI, UFAS and ADA requirements for accessibility.



# Dura-Ware® 1953: 18" Lavatory - ADA Compliant

## WALL THICKNESS AND TYPE (Must Specify)

Thickness \_\_\_\_\_ Type:  Concrete  Block  Steel

## MODEL NUMBER AND OPTIONS SELECTION

### BASE MODEL NUMBER

1953 18" x 22" ADA Compliant Lavatory

### FIXTURE MOUNTING AND WASTE (Must Specify)

-1 Off-Floor, Wall Outlet

### BUBBLER OR SPOUT SELECTION (Must Specify)

- CSG Centerset with Gooseneck Spout and Wrist Blade Handles  
 -DMS Deck Mounted Spout

### VALVE SELECTION (Must Specify)

- 03-M Air-Control, Single Temp, Metering  
 -04-M Air-Control, Hot & Cold, Metering  
 -9 Without Valves (Must Specify Deck Punching)  
 -MVC1 Time-Trol - Single Temp  
 -MVC2 Time-Trol - Hot & Cold  
 -PPZ1 Programmable Piezo Button - Single Temp w/ 9VDC Plug-In Transformer  
 -PPZ2 Programmable Piezo Button - Hot & Cold w/ 9VDC Plug-In Transformer

## DECK PUNCHING

Must specify when indicating -09 Without Valves option, Ø1-5/16" holes provided.

- H1 Single Hole, On Center  
 -H24 4" Centerset; Two Holes  
 -H34 4" Centerset; Three Holes  
 -H28 8" Centerset; Two Holes\*  
 -H38 8" Centerset; Three Holes\*

\* Eliminates soap dish when selected.

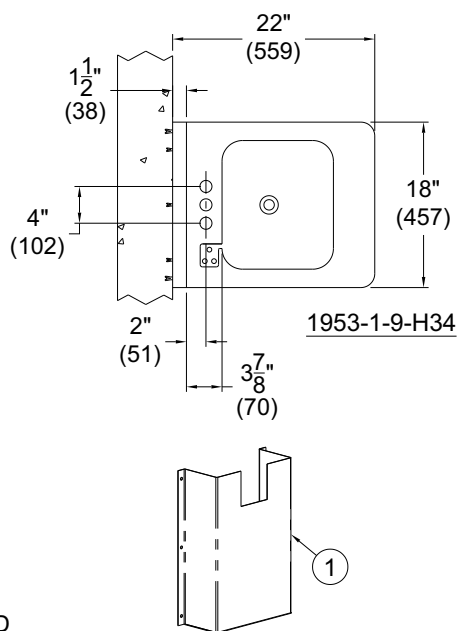
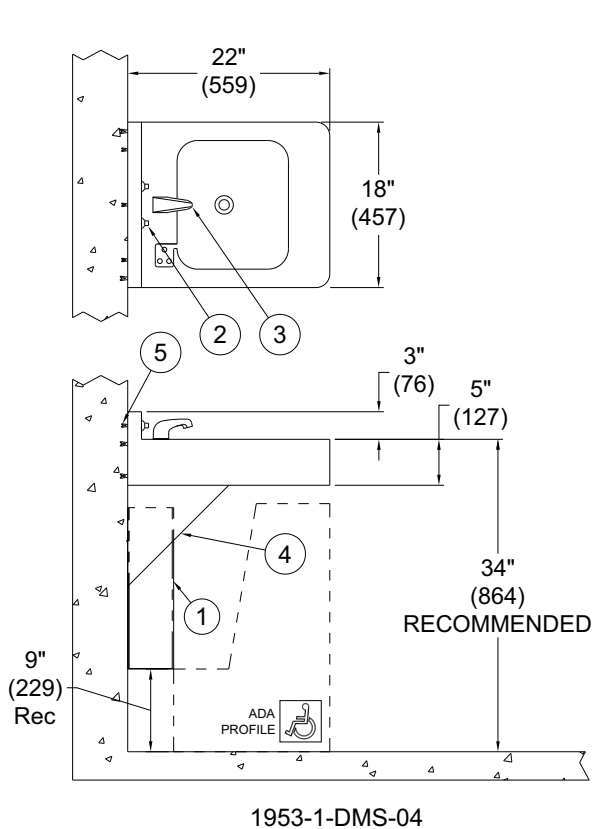
## LAVATORY WASTE OPTIONS

- GE Grid Strainer w/Close Elbow 1-1/4"  
 -GT Grid Strainer w/Tailpiece 1-1/4"  
 -OF Lavatory Overflow  
 -TPT Tubular P-Trap 1-1/4" x 1-1/2"

## PRODUCT OPTIONS

- BRS Brass Body Valve  
 -EE Elbow Enclosure  
 -EG Enviro-Glaze Color, Specify: \_\_\_\_\_  
 -FG 14 Gage Housing  
 -TE Trap Enclosure  
 -TF Transformer, 120VAC to 24VAC (-MVC Only)

Please visit [www.acorneng.com](http://www.acorneng.com) for most current specifications.



### NOTES:

1. Valve Cover Provided With Electronic Metering or Air-Control Valve Options Only
2. Lavy Valve Pushbuttons
3. Optional -DMS Deck Mounted Spout
4. Standard Angle Brace
5. Wall Mounting Anchors (By Others)

**WARNING:** Cancer and Reproductive Harm - [www.P65Warnings.ca.gov](http://www.P65Warnings.ca.gov)

<p><b>Important:</b> Installation instructions and current rough-in are furnished with each fixture. Do not rough in without certified dimensions. Dimensions are subject to manufacturer's tolerance of plus or minus 1/4" and change without notice. Acorn assumes no responsibility for use of void or superseded data. © Copyright 2009 Acorn Engineering Company</p>	
<p><b>Selection Summary</b></p> <p>Model No. &amp; Option _____</p> <p>Quantity _____</p>	<p><b>Approved for Manufacturing</b></p> <p>Company _____ Title _____</p> <p>Signature _____ Date _____</p>