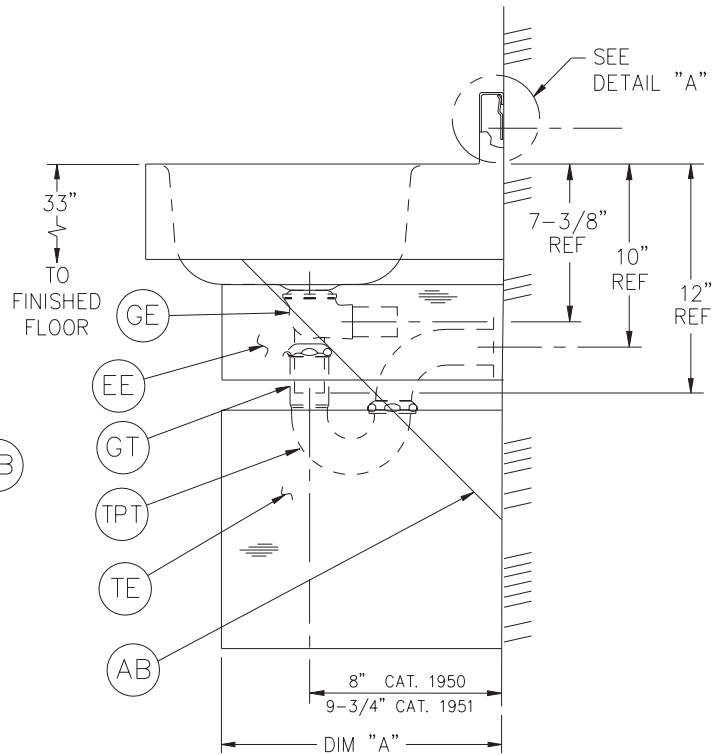
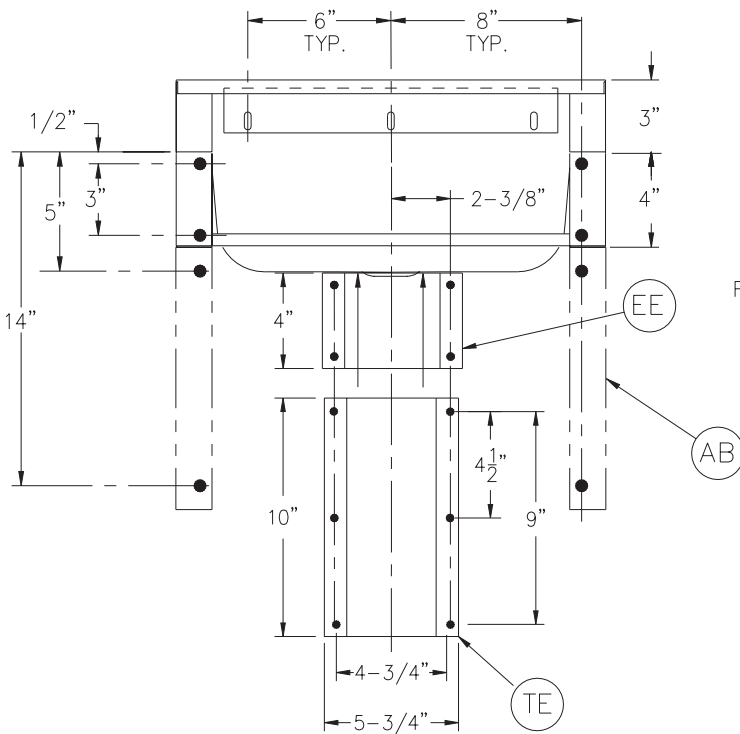
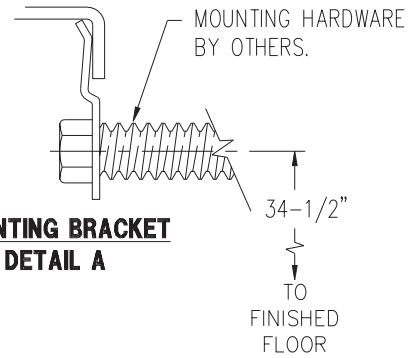




REFERENCE DRAWING	
DECK MOUNTED WRISTBLADE VALVE	9908-110-001

DIM. FOR -TE & -EE

	DIM "A"
1950	9-7/8"
1951	11-3/4"



INSTALLATION INSTRUCTIONS

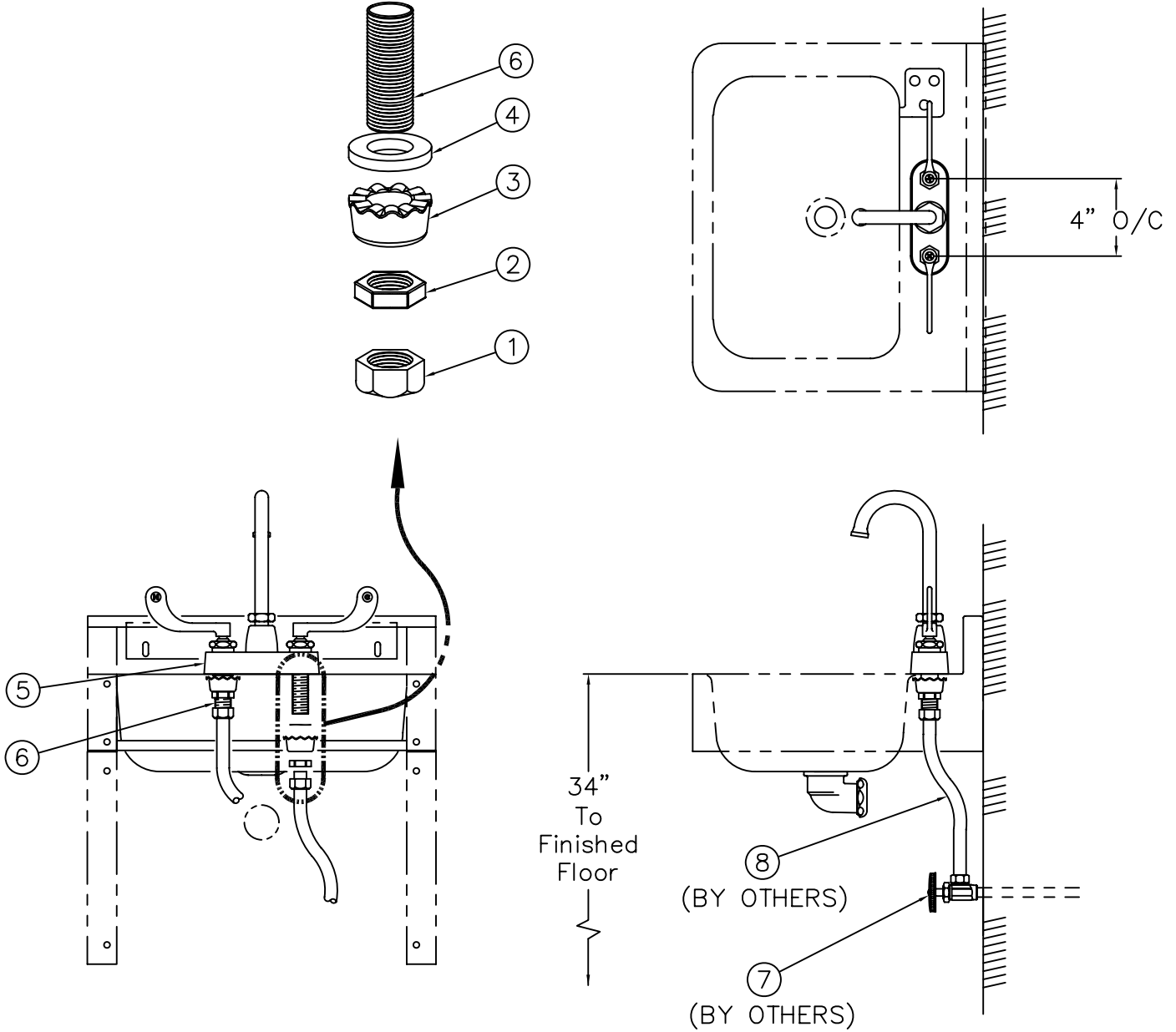
- A- SEE DETAIL FOR CURRENT VALVE INSTALLATION SHEET.
- B- INSTALL MOUNTING BRACKET. SEE DETAIL "A".
- C- INSTALL WALL ANCHORS AND ATTACH FIXTURE. COUNTERTOP IS RECOMMENDED AT 33" ABOVE FINISHED FLOOR.
- D- MAKE WASTE CONNECTIONS. DIMENSIONS VARY DEPENDING ON OPTIONAL WASTE CONNECTION SELECTED:
- (AB) - OPTIONAL ANGLE BRACE, USED FOR ADDITIONAL SUPPORT IN HIGH ABUSE AREAS.
- (EE) - OPTIONAL ELBOW ENCLOSURE FOR USE WITH -GE CLOSE ELBOW 1-1/4".

- (GE) - OPTIONAL GRID STRAINER WITH CLOSE ELBOW- 1-1/4" OD COMPRESSION CONNECTION.
- (GT) - OPTIONAL GRID STRAINER WITH TAILPIECE- 1-1/4" OD COMPRESSION CONNECTION.
- (TE) - OPTIONAL TRAP ENCLOSURE FOR ADDITIONAL SECURITY ON FIXTURE.
- (TPT) - OPTIONAL TUBING P-TRAP 1-1/4" x 1-1/2" OD.
- E- ROUGH-IN PLUMBING AND FLUSH SUPPLY LINES.
- F- MOUNT TRAP/ELBOW ENCLOSURE TO WALL AFTER INSTALLING PLUMBING. HARDWARE BY OTHERS.



ACORN ENGINEERING COMPANY
P.O. BOX 3527 INDUSTRY, CA. 91744
(626) 336-4561 FAX (626) 961-2200

TITLE		
WALL HUNG LAVATORY-DECK MOUNTED VALVE CAT. *1950 & *1951		
MANUFACTURE DATE	DATE ISSUED	DRAWING NUMBER
JAN 1980	06-01-90	9908-000-001
TO PRESENT	09/25/02	



INSTALLATION INSTRUCTIONS

A—Remove The Following From The Gooseneck Assembly. Compression Nuts (1), Locknuts (2), Bell Spacers (3), And Washers (4).

B—Mount Remaining Gooseneck Valve Assembly (5) To Lavatory, Inserting Threaded Inlets (6) Thru Center Set Holes (4" O/C). Following Gooseneck Valve Manufacture's Installation Instructions.

C—Reattach Washers (4), Bell Spacer (3), And Locknuts (2) To Threaded Inlets (6), And Tighten.

D—In Stall Riser (7) (BY OTHERS) To Angle Stop (8) (BY OTHERS) To Compression Nut (1). Screw Onto Threaded Stubs. Remove The Following From The Gooseneck Assembly. Compression Nuts (1), Locknuts (2), Bell Spacers (3), And Washers (4).



ACORN ENGINEERING COMPANY
P.O. BOX 3527 INDUSTRY, CA. 91744
(626) 336-4561 FAX (626) 961-2200

TITLE DECK MOUNTED WRISTBLADE VALVE CAT. *1950, *1951, & *1953		
MANUFACTURE DATE JAN 1980 TO PRESENT	DATE ISSUED 06-01-90	DRAWING NUMBER 9908-110-001
	DATE REVISED 08/06/07	