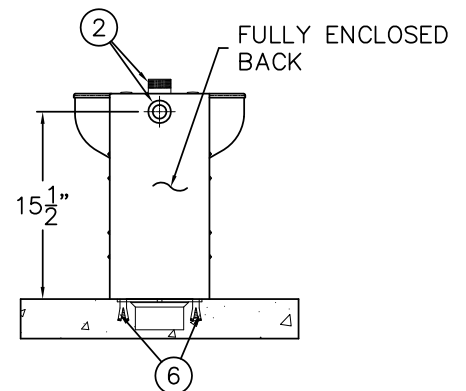
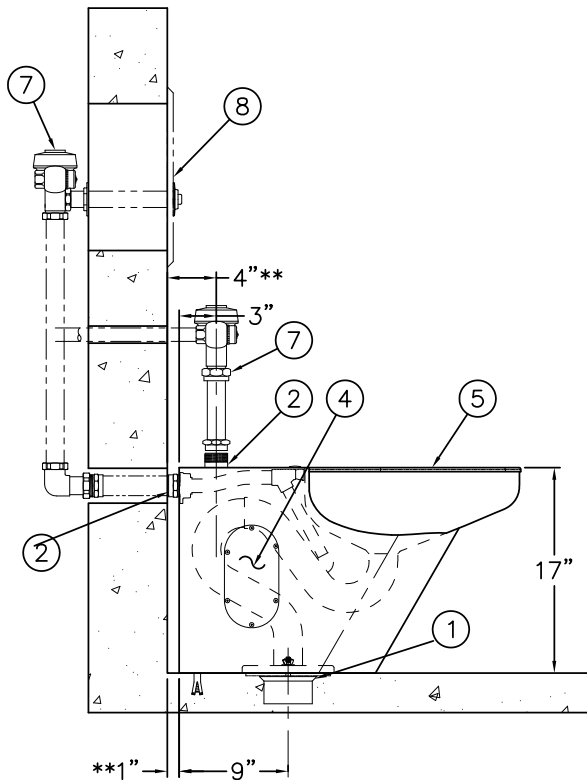


**NOTE:**  
 BEFORE INSTALLING FIXTURE ENSURE MOUNTING AND CONNECTION DIMENSIONS MATCH.  
 IF A #2898 FLUSH VALVE ACCESS PANEL (8) IS REQUIRED (FOR CONCEALED FLUSH VALVES), INSTALL SLEEVE. SEE DRAWING #9908-399-001.



\*\*DIMENSION WILL INCREASE PROPORTIONATELY WITH INCREASED WASTE OUTLET ROUGH. FIXTURE INTENDED FOR POPULAR 10" TO 12" OUTLET ROUGH.

**INSTALLATION INSTRUCTIONS:**

A-DISCONNECT AND REMOVE EXISTING FIXTURE. CLEAN AND REMOVE ALL DEBRIS FROM WASTE CONNECTION (1) AND FLUSHING INLET CONNECTION (2).

B-ROUGH-IN FOR THE FOLLOWING:  
 7-1/2" DIA. GASKET WASTE (1).  
 1-1/2" NPT FLUSHING INLET CONNECTION (2).  
 FLOOR MOUNTING POINTS (3).

C-REMOVE ACCESS PANEL (4) FROM FIXTURE (5) AND CONNECT TO EXISTING WASTE CONNECTION (1). SECURE TO FLOOR WITH ANCHORS AND ANCHORING HARDWARE (6) BY OTHERS.

D-REPLACE ACCESS PANEL (4) TO FIXTURE (5). RECONNECT FLUSH VALVE (7).

<b>ACORN ENGINEERING COMPANY</b> P.O. BOX 3527 INDUSTRY, CA. 91744 (626) 336-4561 FAX (626) 961-2200	TITLE <b>SIPHON JET - FLOOR MOUNTED, FLOOR OUTLET - #R2141-3</b>	
	MANUFACTURE DATE <b>AUGUST 2010</b> <b>TO PRESENT</b>	DATE ISSUED <b>08/31/10</b> DATE REVISED <b>05/11/12</b>