

ADJUSTABLE TENSION SHOWER ROD FLANGES

- › POLY BAGGED WITH UPC LABEL
- › ZINC & ALUMINUM METAL ALLOY CASTING
- › ALLOWS USE OF ONE-PIECE SHOWER ROD WITHOUT DRILLING HOLES OR ADHESIVES
- › CAN ADD UP TO 3/4" (1.9 cm) OF TENSION TO THE SHOWER ROD
- › FITS STANDARD 1" (2.5 cm) OUTER DIAMETER SHOWER RODS
- › RUBBER ENDS ON BOTH SIDES PREVENT SLIPPING

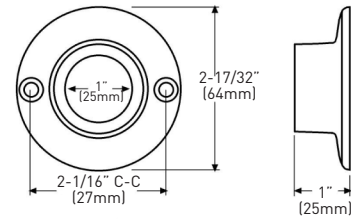
ADJUSTABLE TENSION SHOWER ROD FLANGES

15 SATIN NICKEL	26 POLISHED CHROME	CASE PACK
01-9656SN	01-9656	100 PRS



ROUND SHOWER ROD FLANGES

- › POLY BAGGED WITH UPC LABEL
- › ZINC & ALUMINUM METAL ALLOY CASTING
- › EXPOSED SCREW MOUNTING
- › INCLUDES SETSCREW TO TIGHTEN ROD
- › FITS STANDARD 1" (2.5 cm) OUTER DIAMETER SHOWER RODS
- › INSTALLATION HARDWARE INCLUDED



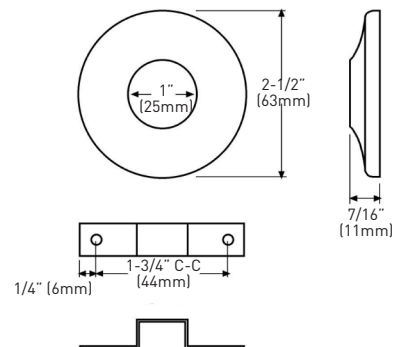
ROUND SHOWER ROD FLANGES

26 POLISHED CHROME	CASE PACK
01-9661	100 PRS



ROUND CONCEALED MOUNT SHOWER ROD FLANGES

- › POLY BAGGED WITH UPC LABEL
- › STEEL CONSTRUCTION
- › CONCEALED SCREW MOUNTING
- › FITS STANDARD 1" (2.5 cm) OUTER DIAMETER SHOWER RODS
- › INSTALLATION HARDWARE INCLUDED



ROUND CONCEALED MOUNT SHOWER ROD FLANGES

15 SATIN NICKEL	26 POLISHED CHROME	CASE PACK
01-9659SN	01-9659	50 PRS

MEASUREMENTS SUBJECT TO A 3% VARIANCE

MEASUREMENTS ARE FOR REFERENCE ONLY. TAYMOR RESERVES THE RIGHT TO CHANGE THE PRODUCT SPECS WITHOUT NOTICE. FOR PRODUCT WARRANTY, PLEASE VISIT TAYMOR WEBSITE FOR DETAILS

