



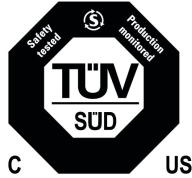
GMNIAIRE 600 Nitro HEPA Air Filtration Machine



Operation and Maintenance Manual

WARNING

Do not use with combustible or explosive material. Do not expose to water or rain. Connect only to grounded outlet with GFCI device. Disconnect power for cleaning and servicing. This equipment to be operated only by trained personnel.



UL 507:1997/R:2017-01
CAN/CSA-C22.2 No. 113-15

Safety Warning Instructions:

READ AND SAVE THESE INSTRUCTIONS

This equipment to be operated only by trained personnel.

Do not use with combustible or explosive material.

Do not expose to water or rain.

Connect only to grounded outlet with GFCI device.

Disconnect power for cleaning and servicing.

Do not operate if cord or plug is damaged. Contact a authorized service facility for examination and/or repair.

Do not run cord under carpeting. Do not cover cord with throw rugs, runners, or similar coverings. Arrange cord away from traffic areas and where it is not a tripping hazard.

Avertissement de sécurité Instructions:

LIRE ET CONSERVER CES INSTRUCTIONS

Cet équipement doit être utilisé que par un personnel formé.

Ne pas utiliser avec des matières combustibles ou explosives.

Ne pas exposer à l'eau ou à la pluie.

Connectez uniquement à une prise mise à la terre avec un dispositif GFCI.

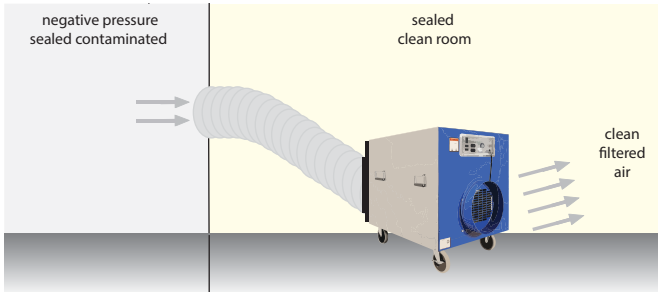
Coupez l'alimentation électrique pour le nettoyage et l'entretien.

Ne pas utiliser si le cordon ou la fiche est endommagé. Contactez un centre de service autorisé pour examen et / ou réparation.

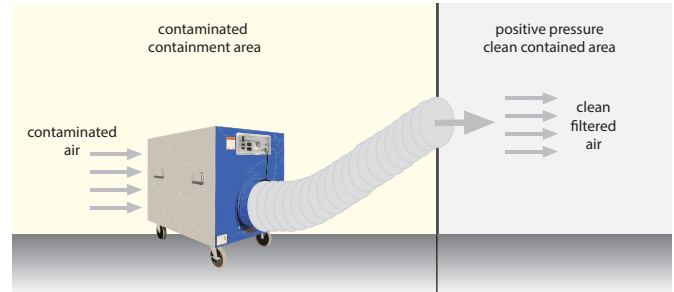
Ne pas passer le cordon sous un tapis. Ne pas couvrir le cordon avec des carpettes, les coureurs, ou revêtements similaires. Éloigner le cordon des endroits passants et où il n'est pas un risque de déclenchement.

The OmniAire Nitro 600 is the best in its class of portable, flame retardant polyethylene air scrubbers. This variable speed machine is built with a powerful motorized impeller with high suction capacity and airflow. It is used for removal of toxic mold, asbestos and lead dust during renovation and abatement projects, and for purifying air in commercial, factory sites and medical facilities. The Nitro can be used with a variety of filters such as HEPA 99.99%, MERV 14 dust filter and activated carbon filter. Units are safely stackable up to 3 high during operation, transportation, and storage.

Application Examples



To create **NEGATIVE PRESSURE** inside the containment, more air has to be exhausted out than leaks into the containment. Place the machine inside the containment and hook a flexible duct to the outlet ring of the machine exhausting to outside the containment. (See Above) All of the air being exhausted has been treated by the HEPA filter so no contaminants are being exhausted from the containment.



To create **POSITIVE PRESSURE** inside the containment, more air has to be pumped in than leaks out of the containment. Place the machine outside the containment and hook a flexible duct to the outlet ring of the machine ducting the exhaust into the containment. (See Above)

OmniAire 600 Nitro Specifications

Airflow: 200 - 600 CFM

Power Requirements: 115VAC/50-60 Hz/2. 4 amp

Filtration: HEPA Filter 99.99% 0.3 μ ; MERV 9 primary/secondary filter Optional: OdorGuard 600 carbon web filter; MERV14 GEO95 filter

Controls: variable speed control; red power indicator light; amber change filter light; GFI protected outlet (8 Amp load max); 12 Amp breaker

Housing: polyethylene; 10" inlet/outlet; soft rubber handle

Size/Weight with Filters: 19"W x 19"H x 25"L; 36 lbs.

Receiving Instructions

Visually inspect the unit for damage. Remove the primary/secondary filter and ensure that the HEPA filter has not been dislodged during shipping. If dislodged, loosen the filter bars and re-adjust the filter, then re-tighten.

Operations

For Asbestos and mold abatement, the machine must be operated with a HEPA filter in place. Also, it is recommended to use the primary/secondary filter and replace it frequently to extend the life of the HEPA.

Speed Control

The air flow can be regulated from 200 to 600 cfm by using the VARIABLE speed controller knob.

To start the machine

To start the machine, turn the VARIABLE speed controller to the desired airflow. As the filters fill with dust, the efficiency of the filters is maintained, but the airflow will decrease, and the vacuum reading will increase. Change the primary/secondary filter frequently to protect the HEPA and to get more air flow. When the differential pressure across the filters reaches about 2.0" WC, the REPLACE FILTER indicating light will turn on and the HEPA filter will have to be replaced to increase the air flow. Additional accessories such as an a 10" flex duct can be attached to the inlet or outlet of the unit.

Maintenance

The blower and motor do not require any maintenance when the machine is operated with the HEPA filter in place.

Pre-Filter Replacement

The primary/secondary filter should be changed when the orange side shows it is loaded with dust. Changing the filter can be done while the machine is running. Ensure that the orange side of the prefilter is facing the HEPA filter.



filter tab

HEPA Filter Replacement

During your projects, your HEPA filter purifies the air and gradually becomes loaded with sub-micron particulates. Even when the HEPA filter is fully loaded, the filter is still removing particulates from the air at the rated efficiency yet at a reduced airflow. This will affect the ability of the machine to provide positive or negative pressure within the containment.

To replace the HEPA filter unplug the machine and remove the pre-filter. You will see 2 filter bars holding the HEPA filter in place. These bars are secured with 1/4-20 Nylock nuts, which require a 7/16" wrench or socket. Remove the filter bar retaining nuts and remove the filter, then set aside. Remove the HEPA filter. ALWAYS TREAT THE USED HEPA FILTER AS HAZMAT AND PROCESS IT ACCORDING TO YOUR ESTABLISHED HAZMAT PROCEDURES.

To replace the HEPA filter, ensure that the gasket on the HEPA filter faces inwards toward the flange, re-install the filter bars and filter bar securing nuts. The nuts should initially be tightened to where the stud is flush with the end of the nut. This will compress the gasket on the filter approximately 1/2 of the thickness. This allows for the filter to be reseated and tightened at a later time if necessary.

GEO95 Filter

The GEO95 filter with a MERV 15 efficiency, can replace the HEPA filter in the NITRO 600 machine as an economical alternative in many types of dust and odor removal applications. These filters are 4" deep and leave more space for additional primary/secondary filters and OdorGuard 600 carbon filters. The robust V-shape media is designed for in-depth loading and low air flow resistance and filtration media is resistant to tears and moisture.

For removal procedure follow the instructions for Removal of the HEPA filter.

Troubleshooting

Your Omnitec Design machine is designed and engineered to provide years of trouble free service. Occasionally problems occur. Here are some helpful tips and solutions. Feel free to call Omnitec Design's technical support team at any time.

The machine does not start

1. Check that the unit is plugged in and there is 115VAC available. If the red indicator light comes on, power is coming to the unit from the outlet. Call Omnitec technical support to troubleshoot further.

The machine just hums when turned on

1. Unplug the unit.
2. Carefully remove the control panel. When you look in you will see the capacitor and the connecting wires. Check that the wires are properly connected. If so, re-install the control panel.
3. Remove HEPA and plug the unit in to the power outlet while keeping the speed controller in the OFF position. Push the blower wheel by hand. If the blower moves freely, while it's rotating, turn on the speed controller and see if it continues running. If it does, replace the capacitor. If the capacitor does not fix the problem the motor/blower needs to be replaced.

Ordering Info

OmniAire 600 Nitro
 Primary/Secondary Two-Stage Filters (box of 20)
 HEPA Filter 99.97%, 0.3µ
 Geo95 Filter, MERV 14
 OdorGuard 600 Carbon Filter Pad
 Quick Clamp, 8"-10" Dia.
 Flexible Duct, 10" Dia. x 25' L
 Flexible Duct, Wire & Fiber Reinforced

Part

OA600N
 OAPI616
 OAH15156P
 OAG15154
 OG1616
 QCW12
 OAD10
 OAD10R

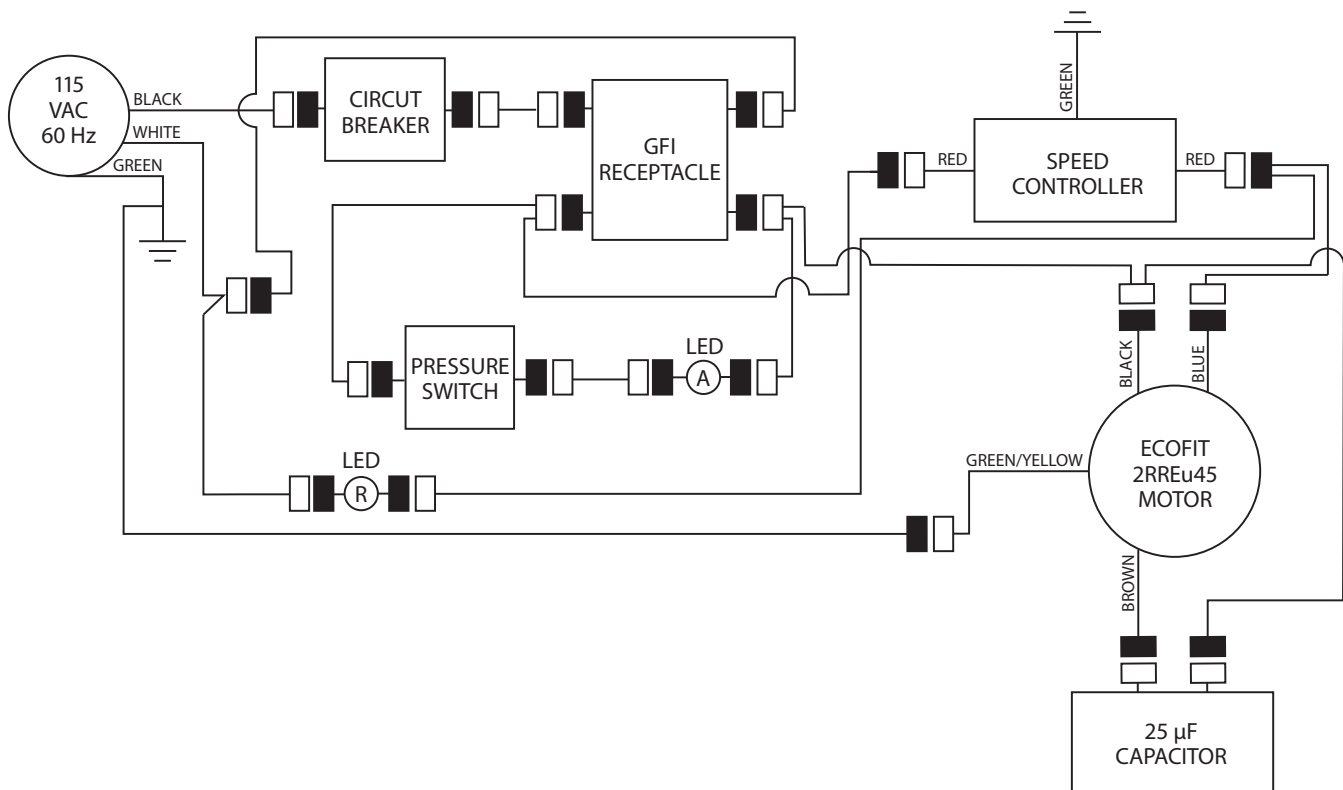


Diagram Legend	
■	Wiring Connector
⌋	Terminated (Capped) Wire
Ⓡ	Red LED Light
ⓐ	Amber LED Light
ⓐ	Green LED Light

	MODEL OA600N	
	Wiring Diagram	
4640 Campus Place, Suite 100 T. 425.290.3922 F. 425.290.3964	DRAWN BY: A. Briceno	REV A
	SCALE Not to Scale	DATE November 9, 2018

Omnitec Design LIMITED WARRANTY

Omnitec Design warrants, for a period of twelve (12) months from the date of purchase, that all Products, component parts and accessories, excluding filters, will be free from defects in material and workmanship under normal use and service.

THE PURCHASER'S SOLE AND EXCLUSIVE REMEDY UNDER THIS WARRANTY IS LIMITED TO THE REPAIR OR REPLACEMENT OF DEFECTIVE PARTS F.O.B., Omnitec Design 4640 Campus Place Ste. 100, Mukilteo, WA 98275
Phone: 425-290-3922

In order to keep this warranty in effect for the aforementioned twelve-month period, the purchaser must (i) promptly, i.e., immediately upon discovery, inform Omnitec Design's customer service of any defects, and (ii) properly use and maintain the Product prior to the discovery of any defect.

This warranty does not cover normal wear and tear or defects caused by (i) improper or negligent handling or unauthorized modifications; (ii) defective or improper premises, chemical, or electrical influences; or (iii) weather or other forces of nature.

In order to provide the best customer service possible, Omnitec Design requests that purchaser completes the enclosed LIMITED WARRANTY REGISTRATION FORM and returns it to Omnitec Design within 30 days of purchase date.

LIMITATIONS OF WARRANTY

THIS WARRANTY IS EXPRESSLY IN LIEU OF ANY AND ALL OTHER WARRANTIES AND OBLIGATIONS OF Omnitec Design OR ITS SUPPLIERS, EXPRESS OR IMPLIED, AND Omnitec Design EXPRESSLY DISCLAIMS ANY WARRANTY OF MERCHANTABILITY OR FITNESS FOR ANY PARTICULAR PURPOSE.

LIMITATION OF REMEDY

Under no circumstances shall Omnitec Design or any supplier of Omnitec Design be liable for any loss or damage, including, but not limited to, loss or damage arising out of the failure of the Products to operate for any period of time, inconvenience, the use of rental or replacement equipment, loss of profits or other economic loss, or general, direct, special, indirect, incidental or consequential damages or property damages.

PRODUCT SUITABILITY

Many states and localities have their own varied codes and regulations governing sales, construction, installation, and/or use of Products for certain purposes. While Omnitec Design attempts to assure that its Products comply with such codes, it cannot guarantee compliance, and cannot be responsible for how the Products are installed or used. Omnitec Design recommends that, before purchasing and using a Product, purchasers review the Product application, and federal, state and local regulations, to be sure that the Products, installation, and use will comply with them.