



SERVICE PARTS LIST

BULLETIN NO.
54-06-2390

SPECIFY CATALOG NO. AND SERIAL NO. WHEN ORDERING PARTS				REVISED BULLETIN	DATE
M18™ LED SEARCH LIGHT					Jul. 2016
CATALOG NO.	2354-20	STARTING SERIAL NO.	H60A	WIRING INSTRUCTION	

EXAMPLE:

00	0
----	---

 Component Parts (Small #)
 Are Included When Ordering
 The Assembly (Large #).

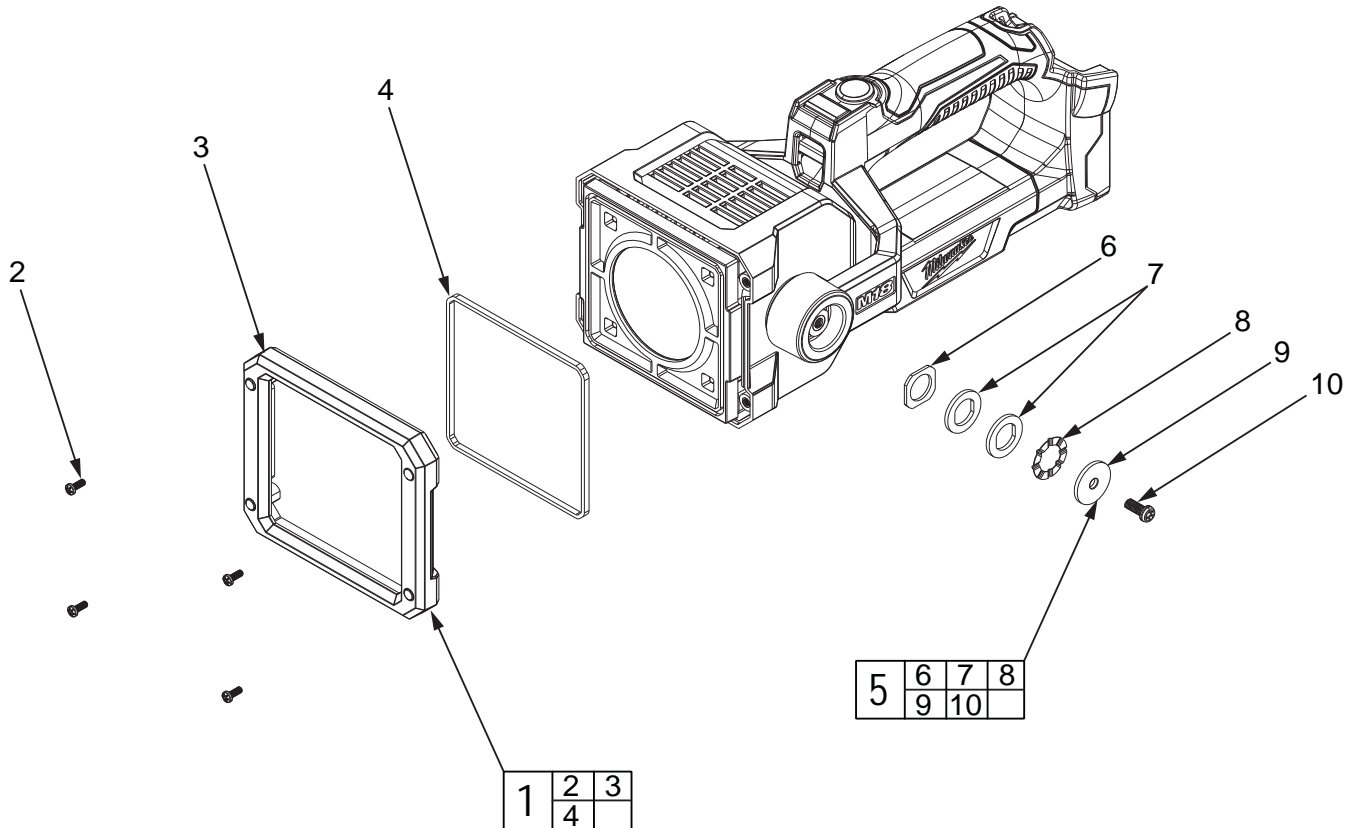


FIG.	PART NO.	DESCRIPTION OF PART	NO. REQ.
1	44-06-0125	Lens Kit	(1)
2	-----	M3 x 8 Screw	(4)
3	-----	Lens w/ Cover	(1)
4	-----	Gasket	(1)
5	45-88-1605	Washer Kit	(1)
6	-----	Washer A	(1)
7	-----	Washer B	(1)
8	-----	Washer C	(2)
9	-----	Washer D	(1)
10	-----	M5 x 12 Screw	(1)
11	45-56-0040	Strap (Not Shown)	(1)
12	12-20-2354	Service Nameplate (Not Shown)	(1)

FIG. 12 NOTES
 A clean, dry surface is essential for proper performance for any adhesive system. The area intended for application of any adhesive label or nameplate must be prepared by cleaning with isopropyl alcohol. The solvent is to be applied with a clean, lint free applicator and the surface allowed to dry before applying the label or nameplate.