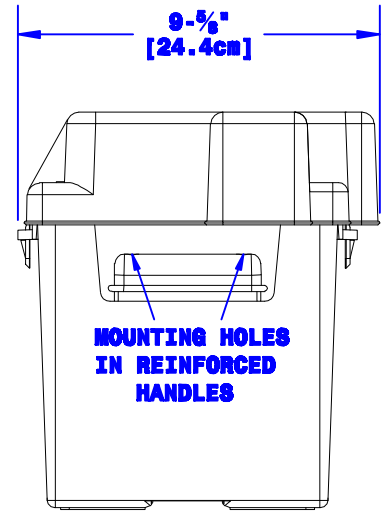
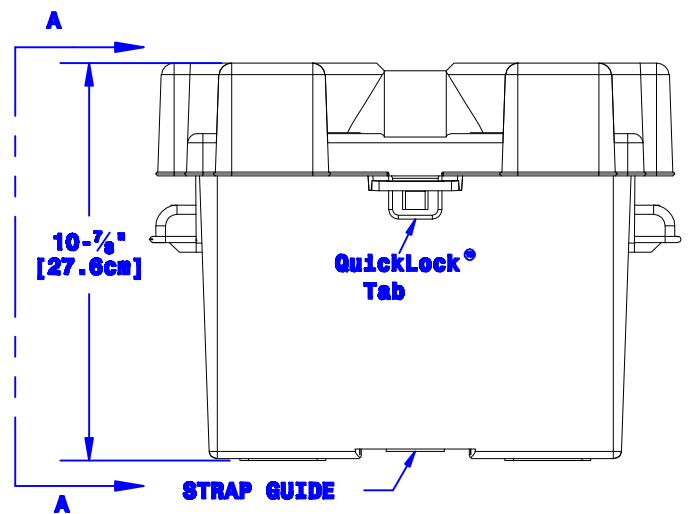


FEATURES:
ASYMETRICAL COVER
DESIGNED TO SHED WATER
LEAK PROOF BOX WITH HANDLES
MOLDED IN SAFETY WARNINGS

INSIDE CLEARANCE:
12 3/4" X 7 1/4" X 10"
[32.4cm x 18.4cm x 25.4cm]



View A-A

Property of QUICKCABLE® 3700 Quick Drive Franksville, WI 53126 U.S.A. www.quickcable.com		TITLE BATTERY BOX GROUP 27	
		PART # 120172	
		Drawing # 120172-Info	
		REV A	
Material & Treatment BLACK MOLDED POLYPROPYLENE		Sheet 1 of 1	

Rev	Date	ECN#	By	Description	Drawn By	Date	Checked By	Scale
A	3/17/09	1787	BS	Redesigned Battery Box	Bill S	06-15-09	Mike E	None
					Tolerances, unless otherwise noted Dimensions are Reference only			