



LED MR16

6.5MR16/LED/F35/927/D/EC/12V T20 10/1FB

Philips LED MR-16 lamps with single optic technology provide the look and color quality of traditional halogens while using a fraction of the energy. A perfect fit for spot lighting, they are compatible with most existing fixtures with MR16 GU5.3 holders and are designed as a retrofit replacement for halogen or incandescent spots.

Product data

General Information		Lamp Current (Nom)	
Cap-Base	GU5.3 [GU5.3]		700 mA
EU RoHS compliant	Yes	Wattage Equivalent	42 W
Nominal Lifetime (Nom)	25000 h	Starting Time (Nom)	0.5 s
Switching Cycle	50000X	Warm Up Time to 60% Light (Nom)	0.5 s
Technical Type	6.5-42W	Power Factor (Nom)	0.8
		Voltage (Nom)	ac electronic 12 V
Light Technical		Temperature	
Color Code	927	T-Case Maximum (Nom)	92 °C
Beam Angle (Nom)	35 °		
Luminous Flux (Nom)	485 lm	Controls and Dimming	
Luminous Intensity (Nom)	1110 cd	Dimmable	Yes
Color Designation	Warm White (WW)	Mechanical and Housing	
Correlated Color Temperature (Nom)	2700 K	Bulb Shape	MR16 [2inch/50mm]
Luminous Efficacy (rated) (Nom)	74.00 lm/W	Approval and Application	
Color Consistency	<3	Energy Efficiency Label (EEL)	Not applicable
Color Rendering Index (Nom)	91	Suitable For Accent Lighting	Yes
LLMF At End Of Nominal Lifetime (Nom)	70 %	Energy Consumption kWh/1000 h	- kWh
Operating and Electrical			
Input Frequency	- Hz		
Power (Nom)	6.5 W		

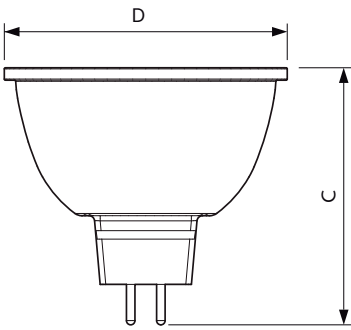
LED MR16

Product Data

Order product name	6.5MR16/LED/F35/927/D/EC/12V T20 10/1FB
EAN/UPC - Product	046677479169
Order code	929001854504
Numerator - Quantity Per Pack	1

Numerator - Packs per outer box	10
Material Nr. (12NC)	929001854504
Net Weight (Piece)	0.056 kg

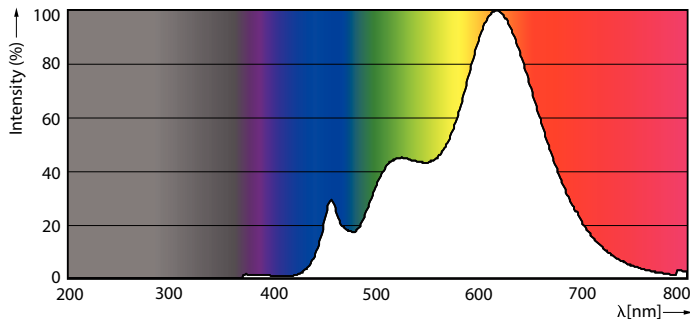
Dimensional drawing



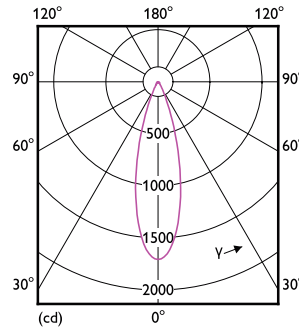
MR16 12V 6.3-42W 35D 2700K GU5.3 D 25khr

Product	D	C
6.5MR16/LED/F35/927/D/EC/12V T20 10/1FB	50.5 mm	46 mm

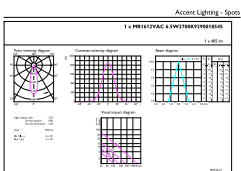
Photometric data



LEDspot 6.5W GU5.3 MR16 927 25-35D DIM



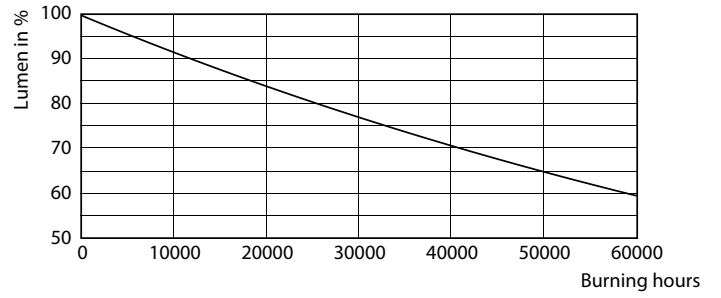
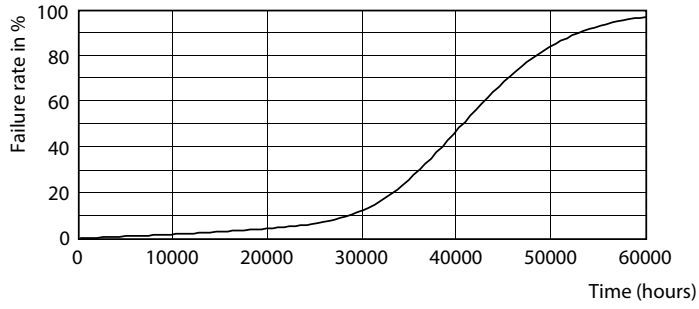
LEDspot 6.5W GU5.3 MR16 927 35D DIM



LEDspot 6.5W GU5.3 MR16 927 35D DIM

LED MR16

Lifetime



LEDspot 6.5W GU5.3 MR16 927 25D DIM

LEDspot 6.5W GU5.3 MR16 927 25D DIM

