



# LED MR16

## 7.3MR16/LED/827/F35/DIM 12V 10/1FB

Philips LED MR-16 lamps with single optic technology provide the look and color quality of traditional halogens while using a fraction of the energy. A perfect fit for spot lighting, they are compatible with most existing fixtures with MR16 GU5.3 holders and are designed as a retrofit replacement for halogen or incandescent spots.

### Product data

General Information		Lamp Current (Nom)	
Cap-Base	GU5.3 [ GU5.3]		830 mA
EU RoHS compliant	Yes	Wattage Equivalent	50 W
Nominal Lifetime (Nom)	25000 h	Starting Time (Nom)	0.5 s
Switching Cycle	50000X	Warm Up Time to 60% Light (Nom)	0.5 s
Technical Type	7.3-50W	Power Factor (Nom)	0.7
		Voltage (Nom)	ac electronic 12 V
Light Technical		Temperature	
Color Code	827 [ CCT of 2700K]	T-Case Maximum (Nom)	90 °C
Beam Angle (Nom)	35 °		
Luminous Flux (Nom)	515 lm	Controls and Dimming	
Luminous Intensity (Nom)	1350 cd	Dimmable	Yes
Color Designation	Warm White (WW)	Mechanical and Housing	
Correlated Color Temperature (Nom)	2700 K	Bulb Shape	MR16 [ 2inch/50mm]
Luminous Efficacy (rated) (Nom)	70.00 lm/W	Approval and Application	
Color Consistency	<4	Energy Efficiency Label (EEL)	Not applicable
Color Rendering Index (Nom)	80	Suitable For Accent Lighting	Yes
LLMF At End Of Nominal Lifetime (Nom)	70 %	Energy Consumption kWh/1000 h	- kWh
Operating and Electrical			
Input Frequency	- Hz		
Power (Nom)	7.3 W		

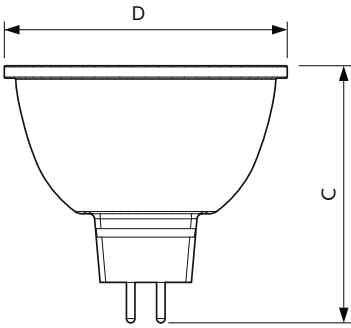
# LED MR16

## Product Data

Order product name	7.3MR16/LED/827/F35/DIM 12V 10/1FB
EAN/UPC - Product	046677533144
Order code	929001881004
Numerator - Quantity Per Pack	1

Numerator - Packs per outer box	10
Material Nr. (12NC)	929001881004
Net Weight (Piece)	0.050 kg

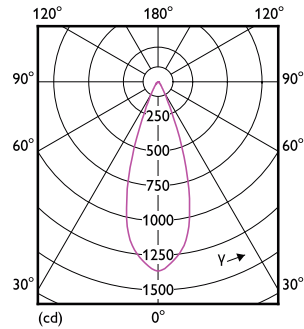
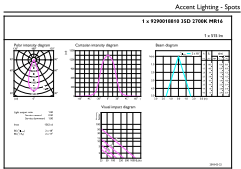
## Dimensional drawing



MR16 12V 7-35W 400lm 35D 2700K GU5.3 D

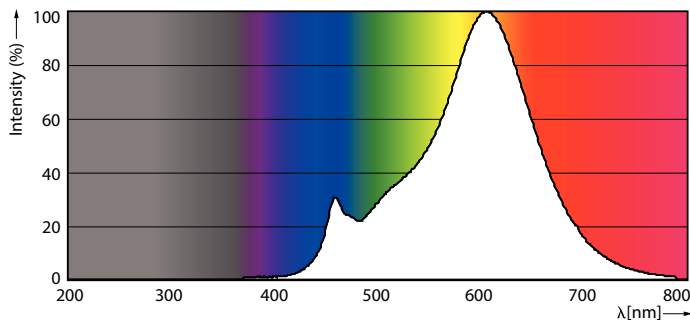
Product	D	C
7.3MR16/LED/827/F35/DIM 12V 10/1FB	50.5 mm	46.5 mm

## Photometric data



LEDspot 7.3W GU5.3 MR16 827 35D DIM

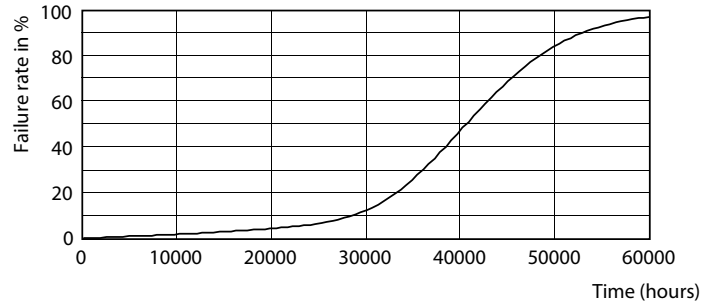
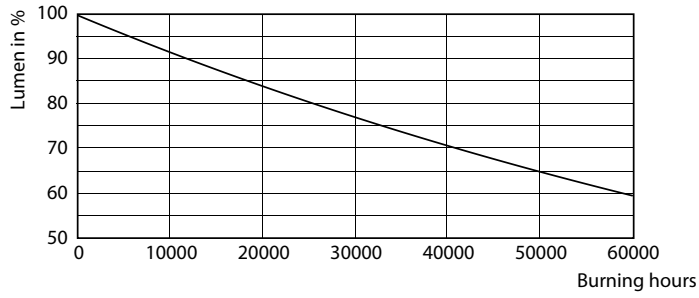
LEDspot 7.3W GU5.3 MR16 827 35D DIM



LEDspot 7.3W GU5.3 MR16 827 25-35D DIM

# LED MR16

## Lifetime



7-50W GU5-3 MR16

7-50W GU5-3 MR16

