

4

3

2

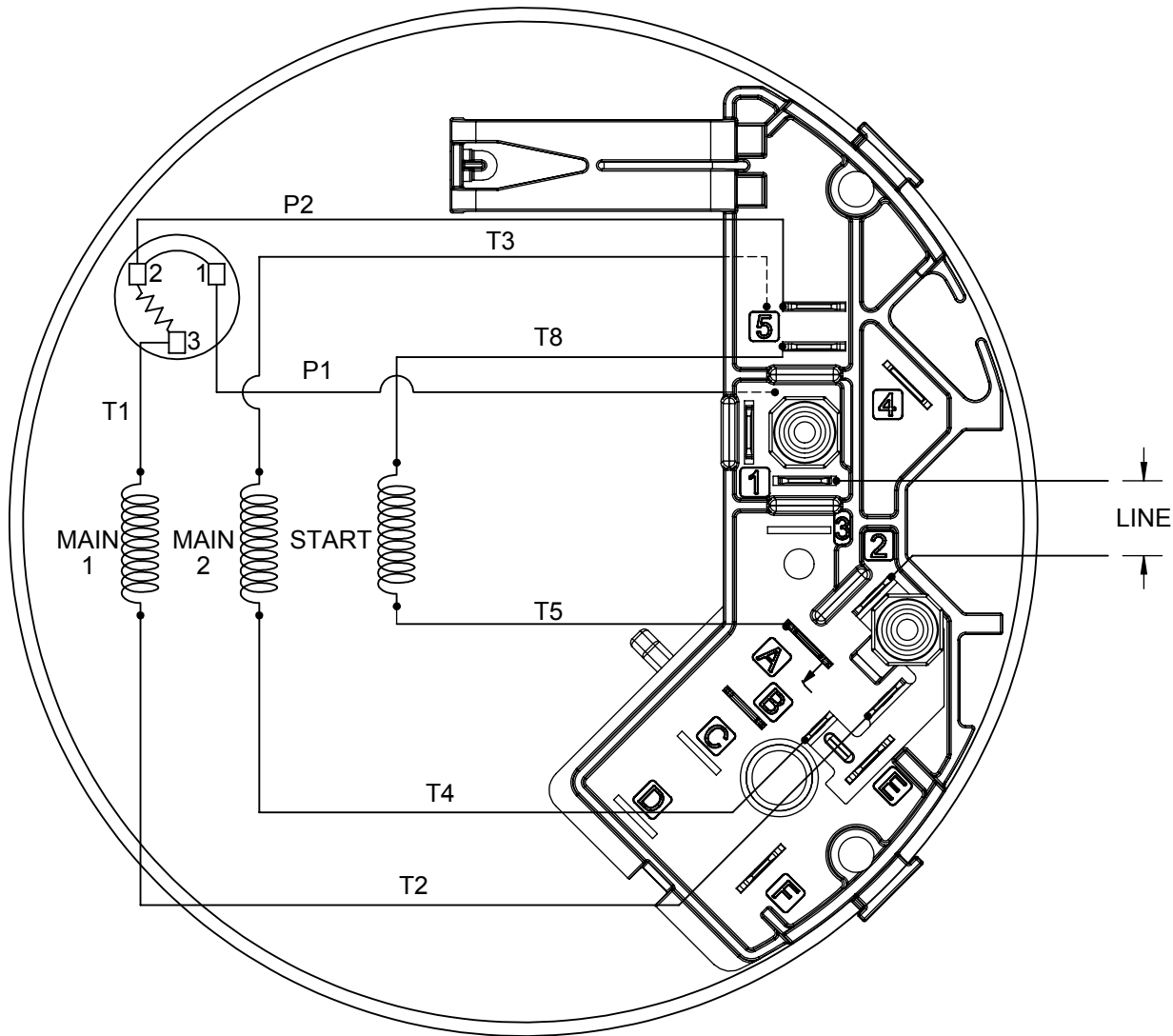
1

B

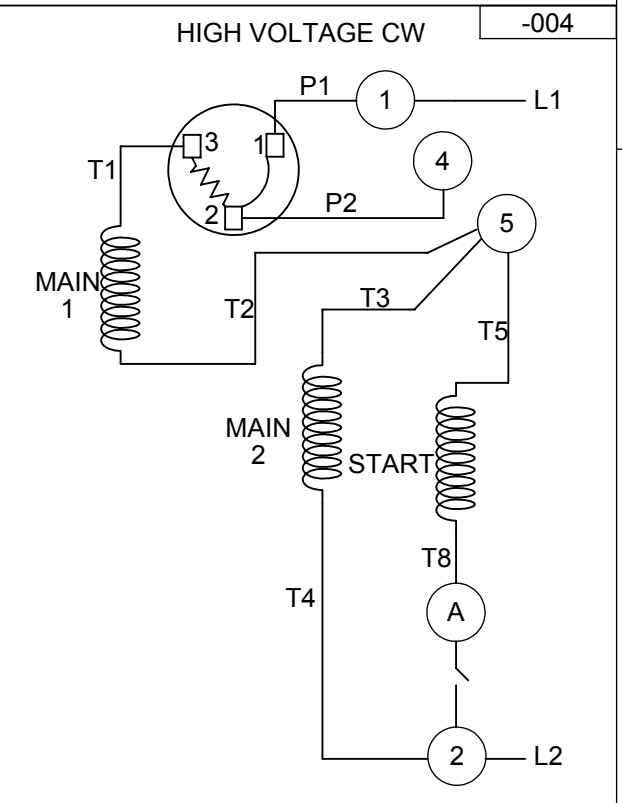
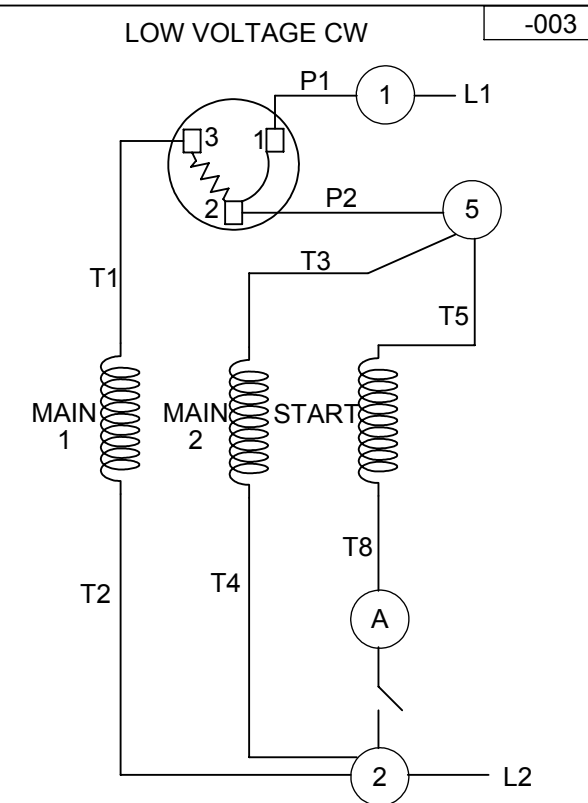
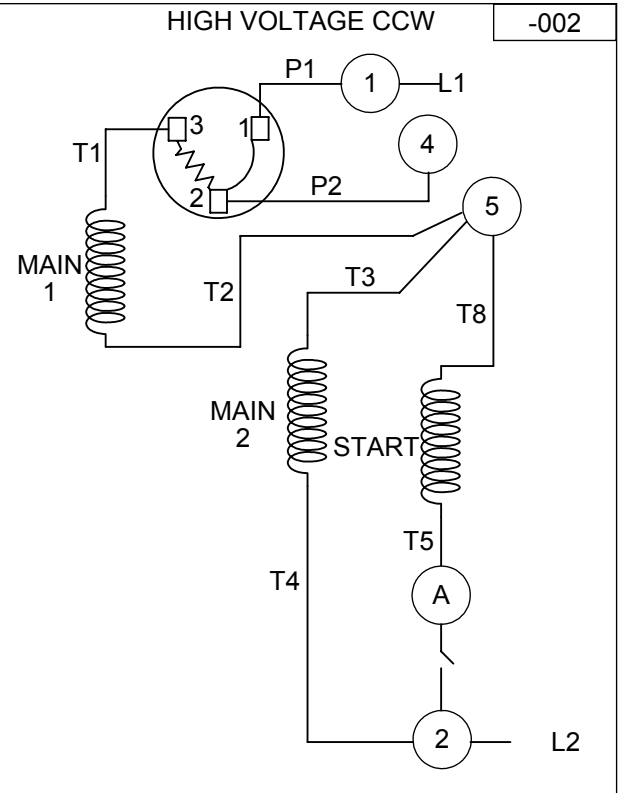
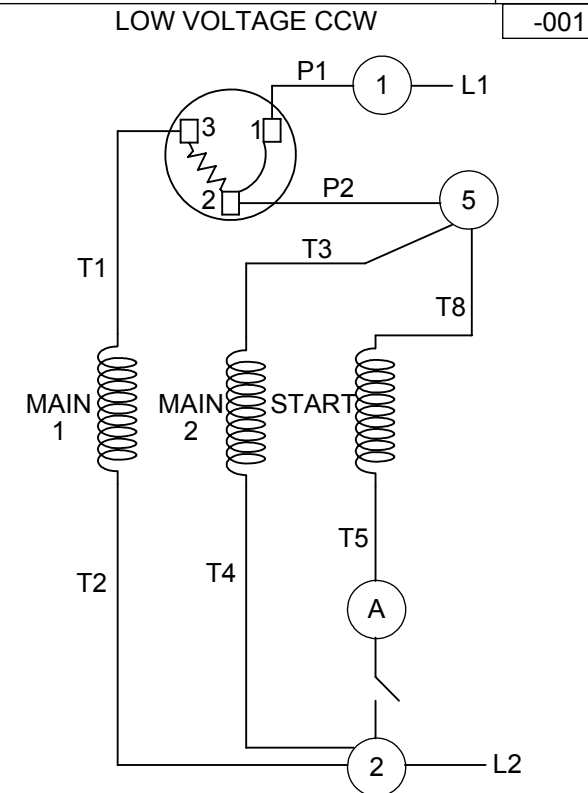
B

A

A



CCW ROTATION SPLIT PHASE DUAL VOLTAGE WITH THERMAL PROTECTOR.



NOTES:

1. TERMINAL BOARD ASSY: 10003284-001-001
2. CONNECTION DIAGRAM NAMEPLATE DD10030

DRAWING REVISION A	REVISION BY G. RODRIGUEZ	DATE 04-14-2016
ECO	APPROVED BY E. MARTINEZ	DATE 04-14-2016
ECO DESCRIPTION		
<small>COPYRIGHT REGAL BELOIT AMERICA, INC. ALL RIGHTS RESERVED. PROPRIETARY AND CONFIDENTIAL INFORMATION - THIS DOCUMENT IS THE PROPERTY OF REGAL BELOIT AMERICA, INC. ("OWNER") AND CONTAINS OWNER'S PROPRIETARY INFORMATION. ANY PERSON, CORPORATION OR OTHER FIRM RECEIVING IT IS DEEMED, BY RECEIVING IT, TO AGREE THAT IT, AND/OR ANY PART OF IT, SHALL NOT BE DISCLOSED TO ANY PERSON, CORPORATION OR OTHER ENTITY, DUPLICATED, AND/OR USED, EXCEPT AS EXPRESSLY APPROVED IN WRITING IN ADVANCE BY OWNER. THIS DOCUMENT SHALL BE RETURNED TO OWNER UPON REQUEST. IT MAY BE SUBJECT TO CERTAIN RESTRICTIONS UNDER APPLICABLE EXPORT CONTROL LAWS AND REGULATIONS.</small>		

TOLERANCES UNLESS OTHERWISE SPECIFIED:

DEC.	INCH	mm	ANGLE
.X	±0.1	[±2.5]	±0.5°
.XX	±0.01	[±0.25]	
.XXX	±0.005	[±0.127]	
.XXXX	±0.0005	[±0.0127]	

REMOVE BURRS & BREAK SHARP
 EDGES: .003/.015 [0.076/.381]
 CORNER FILLETS: .02 [0.51]
 MACHINED SURFACES: 125 INCH / 3.2 mm

mm SHOWN IN [BRACKETS]

DRAWN BY M.RAMIREZ	DATE 04-14-2016
APPROVED BY E. MARTINEZ	DATE 04-14-2016
REFERENCE SKT52A105383CA	THIRD ANGLE PROJECTION

Regal Beloit America, Inc.	
DESCRIPTION CONN DIAGRAM-EXTERNAL	
MATERIAL	PROCESS/FINISH
SIZE B	DRAWING NUMBER CDSD101
SHEET 1 OF 1	

4

3

2

1