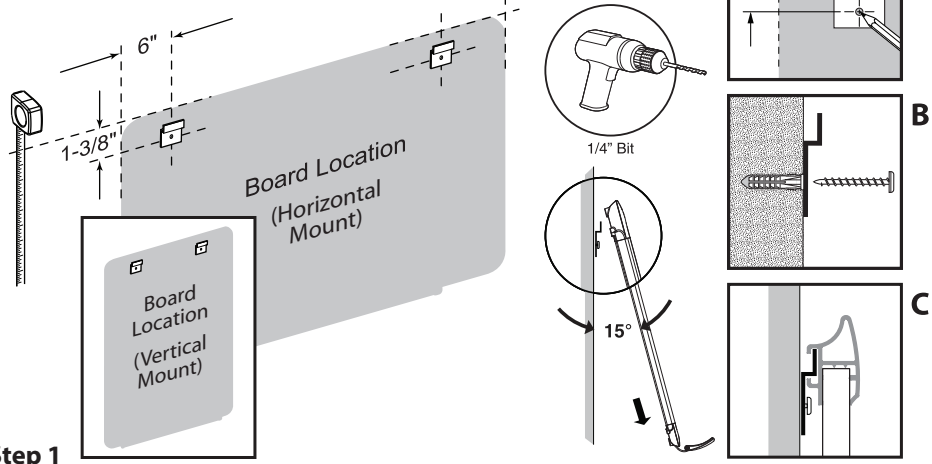


EURO ALUMINUM FRAME BOARD – Mounting Instructions

*NOTE – For Dry-Erase Boards:

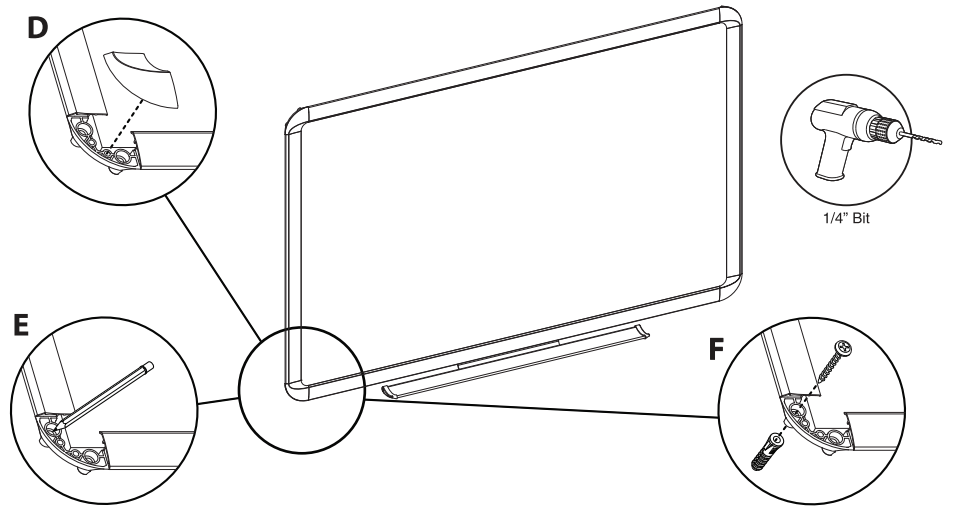
Before mounting board to wall, please refer to instructions in "Accessory Kit" to attach the marker tray to the board frame.



Step 1

Determine board location. To position top hanging brackets, mark center hole of hanger 6" from outside edge of board and 1-3/8" down from top of board (A). Drill holes for each hanger in marked locations using a 1/4" drill bit. Insert wall anchors into holes flush with the wall.

Insert screws through hanging brackets into the wall anchor (B). Tighten firmly. Holding the board at (approx.) 15° angle, place the channel in the back of the frame over the wall hangers. Lower the board so it is flush to the wall (C).



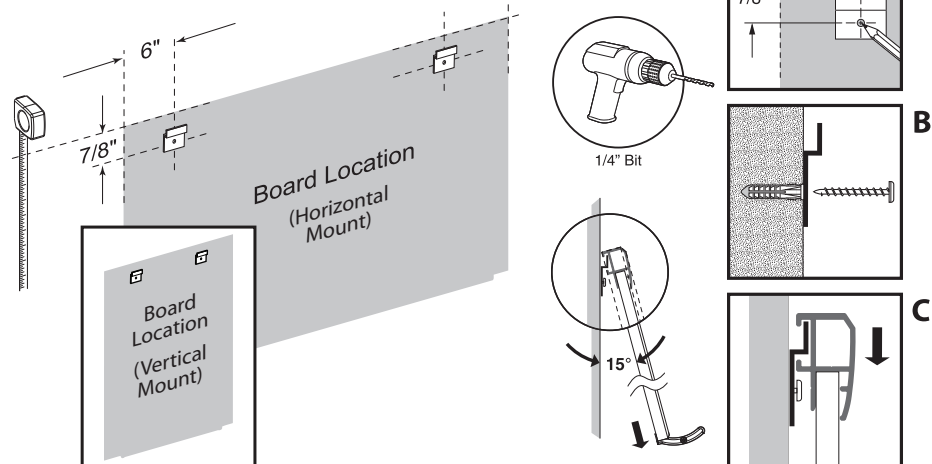
Step 2

Remove bottom plastic corner caps (D), mark wall through top hole of each corner (E). Remove board from wall, drill holes at pencil marks. Install plastic wall anchors. Re-hang board and insert No. 10 screw through plastic corner and into wall anchor (F). Tighten firmly. Replace corner caps by pressing into place over the screws. (L-Bracket & Truss Head Screws are not required.)

ALUMINUM FRAME BOARD – Mounting Instructions

*NOTE – For Dry-Erase Boards:

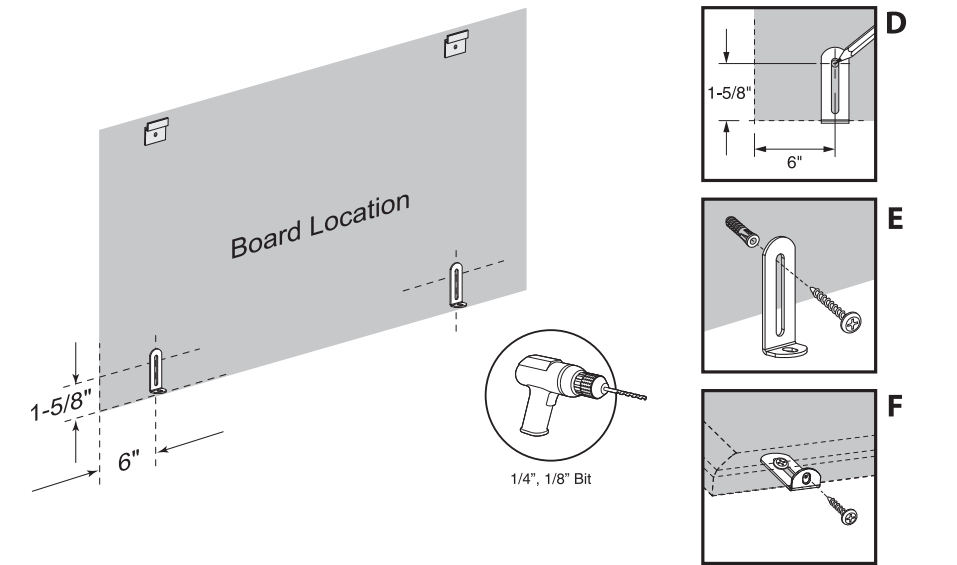
Before mounting board to wall, please refer to instructions in "Accessory Kit" to attach the marker tray to the board frame.



Step 1

Determine board location. To position top hanging brackets, mark center hole of hanger 6" from outside edge of board and 7/8" down from top of board (A). Drill holes for each hanger in marked locations using a 1/4" drill bit. Insert wall anchors into holes flush with the wall.

Insert screws through hanging brackets into the wall anchor (B). Tighten firmly. Holding the board at (approx.) 15° angle, place the channel in the back of the frame over the wall hangers. Lower the board so it is flush to the wall (C).



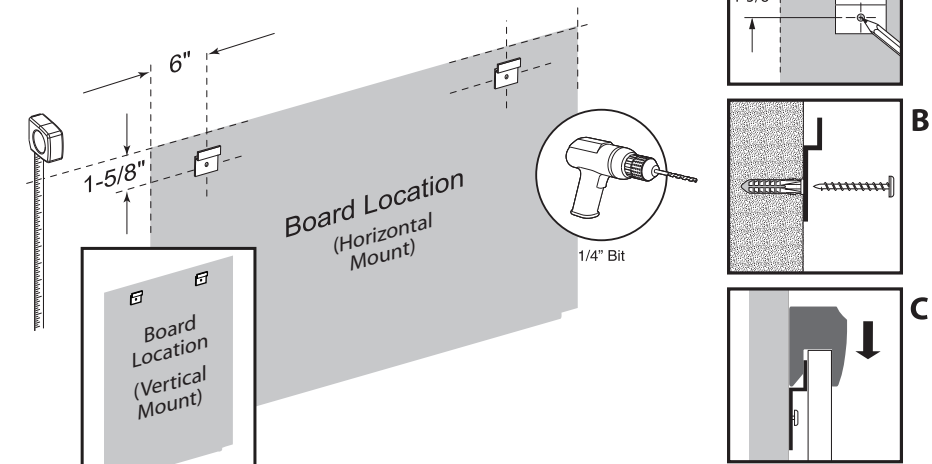
Step 2

To position bottom "L" brackets, mark wall 1-5/8" up from bottom of board 6" from each outside edge (D). Drill holes in marked locations using a 1/4" drill bit. Insert wall anchors into holes flush with wall. Insert screws through "L" brackets into wall anchors (E). Hang board and mark frame through hole in each "L" bracket. Remove board and drill pilot hole at each mark with 1/8" drill bit. Re-hang board and insert #8 x 1/2" truss head screw through each "L" bracket and into pilot hole in frame (F). Tighten firmly.

WOOD FINISH FRAME BOARD – Mounting Instructions

*NOTE – For Dry-Erase Boards:

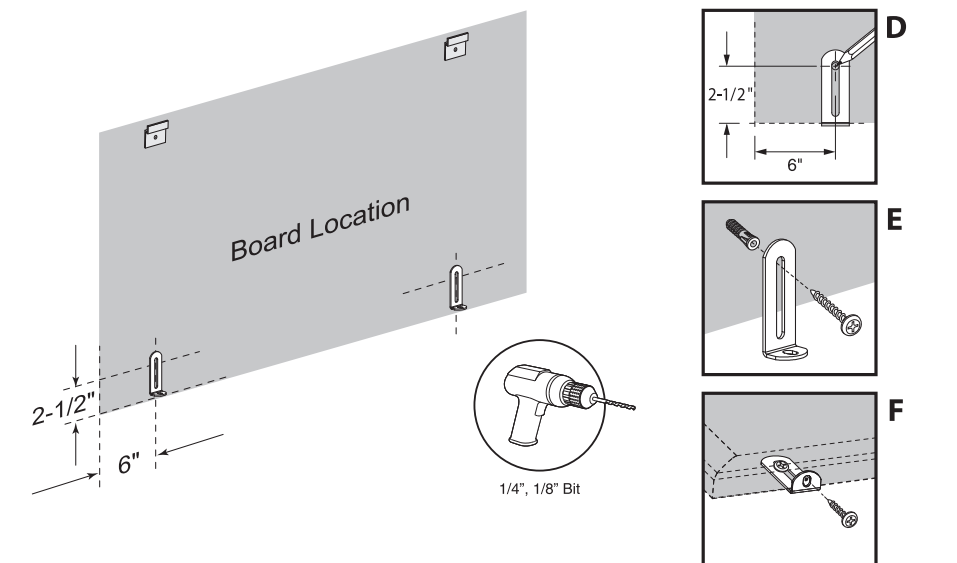
Before mounting board to wall, please refer to instructions in "Accessory Kit" to attach the marker tray to the board frame.



Step 1

Determine board location. To position top hanging brackets, mark center hole of hanger 6" from outside edge of board and 1-5/8" down from top of board (A). Drill holes for each hanger in marked locations using a 1/4" drill bit. Insert wall anchors into holes flush with the wall.

Insert screws through hanging brackets into the wall anchor (B). Tighten firmly. Place the channel in the back of the frame over the wall hangers. Push top of frame down until board is fully engaged on hangers (C).

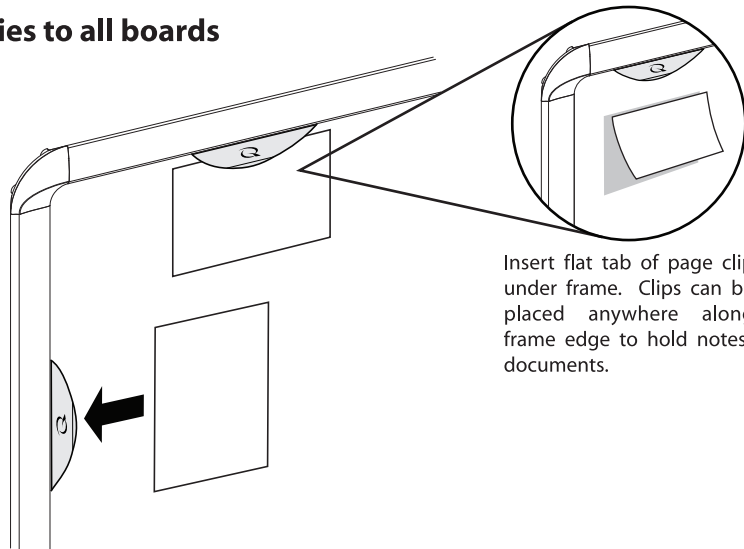


Step 2

To position bottom "L" brackets, mark wall 2-1/2" up from bottom of board 6" from each outside edge (D). Drill holes in marked locations using a 1/4" drill bit. Insert wall anchors into holes flush with wall. Insert screws through "L" brackets into wall anchors (E). Hang board and mark frame through hole in each "L" bracket. Remove board and drill pilot hole at each mark with 1/8" drill bit. Re-hang board and insert #8 x 1/2" truss head screw through each "L" bracket and into pilot hole in frame (F). Tighten firmly.

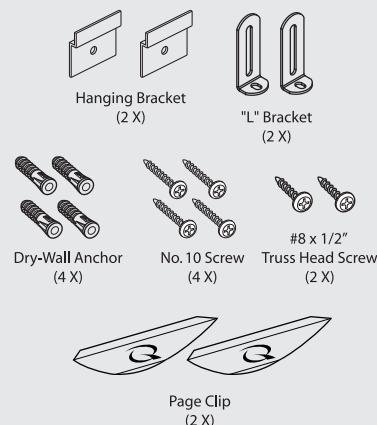
ACCESSORY PAGE CLIP

– Applies to all boards



Insert flat tab of page clip under frame. Clips can be placed anywhere along frame edge to hold notes/documents.

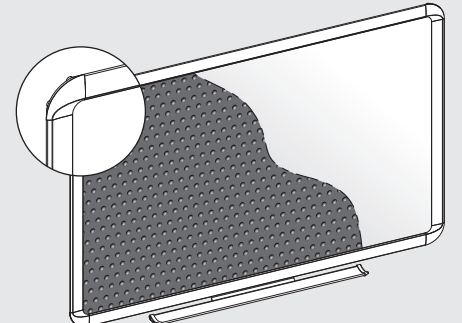
Hardware Kit



Tools Required



Dry-Erase and Bulletin Board Installation Instructions



ACCO BRANDS
300 Tower Parkway
Lincolnshire, IL 60069-3640
www.quartet.com
www.acco.com

For questions about board and marker tray installation, please call Quartet Customer Service at 800-541-0094.