



**Hands-Free Floor Mount  
Stainless Steel Utility Sink**

Model	Flow-Rate
U18181	Standard 2.0 GPM
U18181-0.5	Low-Flow 0.5 GPM

**Product Specifications**

Built to last using 14-gauge, type 304 stainless steel. Seamless welded construction with a 1-1/2" rolled rim on front and sides. Exposed surfaces have a uniformed satin finish. Specially designed foot valve provides easy access to working parts without disconnecting mount or plumbing.

Outside Dimensions	21" x 21-1/2" x 45-1/2" High
Inside Bowl Size	18" x 18" x 12" Deep
Back Splash Height	8"
Water Activation	Single Foot Pedal Valve
Flow Rate	2 GPM
Inlet Connections	3/8" Male Compression
Drain Opening	3-1/2"
Finish	Satin
Strainer	Basket Type



**Includes**

- (1) Floor mount sink
- (1) Leg assembly set
- (4) Washers and nuts for connection sink to leg assembly set
- (1) Single foot pedal valve (bottom mount) with 2 nuts
- (1) Swivel gooseneck spout with aerator
- (1) Connecting tube for valve to spout connection
- (2) Fittings, brass, 0.375" male compression and 0.375" male NPT
- (1) Mixing check valve
- (1) Strainer assembly with basket

**Product Compliance**

NSF/ANSI 2 Food Equipment  
NSF/ANSI 372 Low-Lead



Part: \_\_\_\_\_ Quantity: \_\_\_\_\_

Project: \_\_\_\_\_

Contact: \_\_\_\_\_

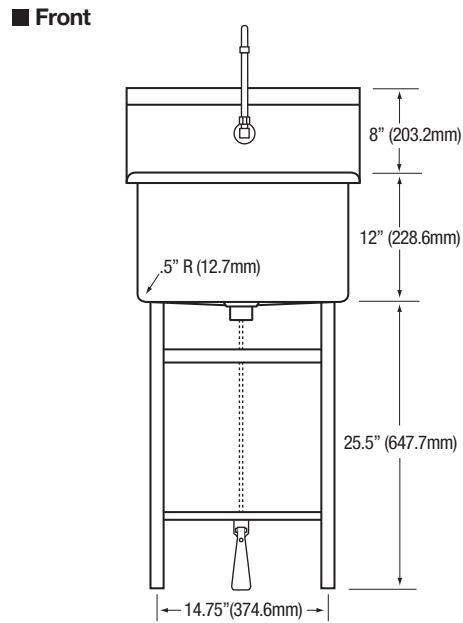
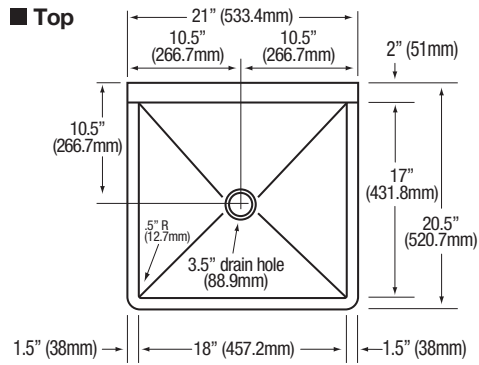
Date: \_\_\_\_\_

Approval: \_\_\_\_\_

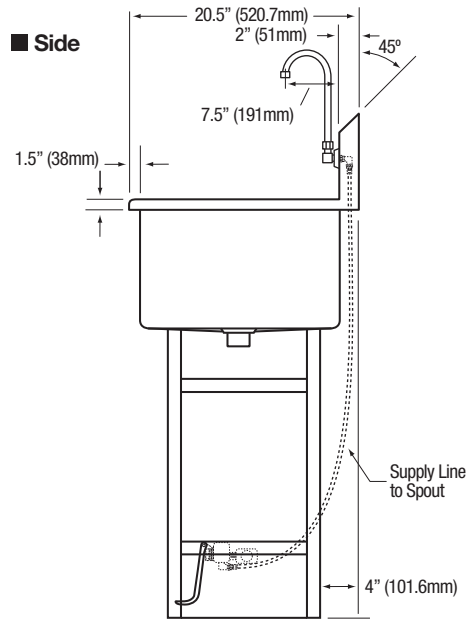
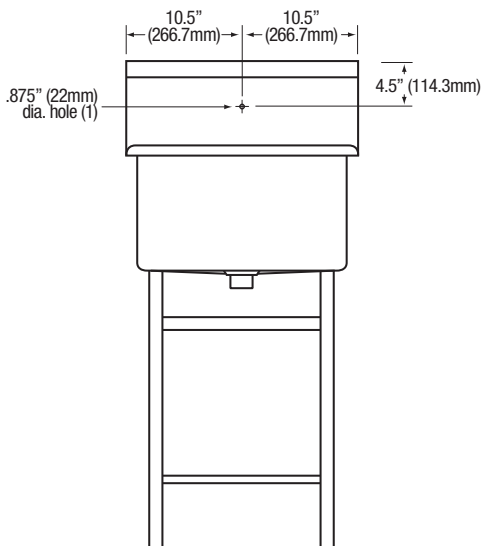
Notes:



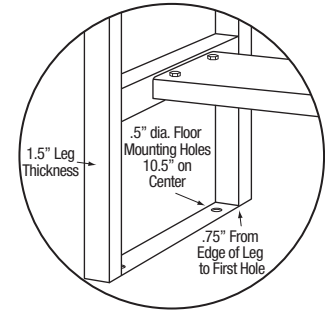
**Hands-Free Floor Mount Stainless Steel Utility Sink  
Models U18181 and U18181-0.5**



■ **Hole Configurations**



■ **Floor Mounting Detail**



■ **Supply Line Detail**

