

GE  
Lighting

# Albeo™ LED Luminaire

Linear Industrial Low Bay Lighting  
(ALC5 - Series)



imagination at work

## Product Features

The Albeo™ ALC5-series LED luminaire is an energy-efficient, low maintenance alternative to traditional fluorescent in a variety of commercial and industrial, low bay lighting applications. Compact and sleek in design, the ALC5 features a long rated life of 100,000 hours and can deliver up to 600 feet of outstanding quality in a continuous run configuration. Ideal for industrial, commercial and light assembly applications, the Albeo ALC5 LED fixture can be matched with motion, daylight and wireless controls for increased energy savings.

### Applications

- Designed to meet recommended luminance and illuminance requirements for low bay and task level applications in commercial, industrial, warehouse, office, education, health, retail and data center settings.
- Recommended for low bay lighting applications at 20 feet or lower.

### Housing

- Rugged extruded aluminum housing.

### LED & Optical Assembly

- Precision lens system provides optimized illumination for open floor plan and aisle layouts.
- Multiple photometric distributions of 20, 40, 80, 120 degrees. Plus diffuse and wide lens options.
- Utilizes high brightness LEDs, 70, 80, 90 CRI at 4000K & 5000K typical.
- LM-79, LM-80 tests and reports are performed in accordance to IESNA standards
- Directional LEDs put light where it is needed without reflectors to greatly increase efficiency.

### Ratings

- DLC qualified. Please refer to: <http://www.designlights.org/QPL> for complete information.
- RoHs
-   UL 1598 Suitable for Damp Locations
-   UL 8750 LED equipment in Lighting Products
- Temperature Rated at -30°C to +55°C (-22°F to 131° F)\*
- Projected L70 (10k) ≥ 100,000 Life Hours per IES TM-21  
\*120V-347V available only.

### Mounting

- Chain, cable and ½ threaded rod.
- Surface mount.
- Continuous run up to 600 ft.

### Finish

- White polyester powder coat.

### Controls

- Motion and Daylight sensors can be combined for additional energy savings.
- Wireless controls available.

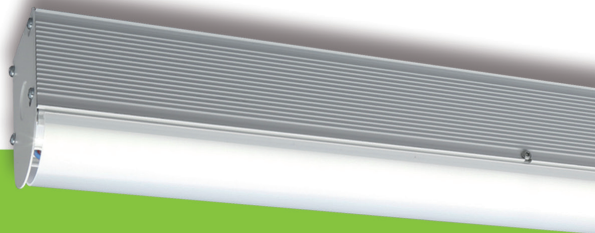
### Electrical

- 120/277 volt and 347/480 volt available
- System power factor is >90%\* and THD <20%\*.
- Internal Surge Protection
- EMI: Title 47 CFR 15 Class A

*\* System power factor and THD is tested and specified at 120V input and maximum load conditions.*

### Warranty

- 5-year limited system warranty standard.



## Industry Awards



Sponsored by the Illuminating Engineering Society.

# Ordering Number Logic

## Linear Industrial Low Bay Lighting (ALC5)



**ALC5**    **1**    **V**    **W**

PRODUCT ID	VOLTAGE	MODULE	DRIVE CURRENT	LED COLOR TEMP	OPTICS BEAM	FIXTURE LENGTH	CONTINUOUS RUN	MOTION/DAYLIGHT SENSOR	CONTROL WIRING	MOUNTING	CORD	PLUG	FINISH	OPTION
A = Albeo L = Linear C = C Series 5 = LED Generation	0 = 120-277V 1 = 120V* 2 = 208V* 4 = 277V* 5 = 480V* D = 347V*	1 = 1 module	T = Standard H = High Output V = Very High Output	<b>70 Plus CRI</b> 47 = 4000K 57 = 5000K  <b>80 Plus CRI</b> 48 = 4000K 58 = 5000K  <b>90 Plus CRI</b> Available upon request	1 = 120° 2 = 20° 4 = 40° 8 = 80° D = 120° W = Wide 160°	4 = 4 ft 8 = 8 ft	S = Stand Alone B = Beginning C = Continuous	N = None A = Aisle Motion B = 360 Motion E = Daylight H = Pre-wired (no sensor)  All motion sensors are low temperature & 0-10V rated.  All daylight sensors are low temperature.  0-10V dimming sensors are not compatible with 480V option.	V = 0-10V	ST = Standard Chain, cable, rod & surface mount ready. 51 = Cable/Hook 5' Pair 52 = Cable/Hook 10' Pair 53 = Cable/Hook 15' Pair 54 = Cable/Hook 20' Pair  See Mounting & Accessories	K = Knock out access plug A = 6 ft. 18-3 cord B = 12 ft. 18-3 cord	N = None A = 15A straight plug B = 20A straight plug C = 15A twist lock plug D = 20A twist lock plug	W = White	W = Wireless



### 70 CRI

MODULE #	DRIVE CURRENT	FIXTURE LENGTH	TYPICAL INITIAL LUMENS 70 CRI			TYPICAL SYSTEM WATTS			LPW 4000K & 5000K			MAXIMUM AMBIENT TEMPERATURE
			4000K & 5000K			120-277V	347V	480V	120-277V	347V	480V	
1	T	4	3450			23	27	30	150	128	115	55° C
1	H	4	5550			38	41	45	146	135	123	55° C
1	V	4	7650			55	58	59	139	132	130	55° C
1	T	8	6500			41	45	48	159	144	135	55° C
1	H	8	11000			75	79	81	147	139	136	55° C
1	V	8	15300			111	117	117	138	131	131	55° C

### 80 CRI

MODULE #	DRIVE CURRENT	FIXTURE LENGTH	TYPICAL INITIAL LUMENS 80 CRI		TYPICAL SYSTEM WATTS			LPW 4000K			LPW 5000K			MAXIMUM AMBIENT TEMPERATURE
			4000K	5000K	120-277V	347V	480V	120-277V	347V	480V	120-277V	347V	480V	
1	T	4	3050	3250	23	27	30	133	113	102	141	120	108	55° C
1	H	4	4850	5250	38	41	45	128	118	108	138	128	117	55° C
1	V	4	6750	7250	55	58	59	123	116	114	132	125	123	55° C
1	T	8	5800	6200	41	45	48	141	129	121	151	138	129	55° C
1	H	8	9700	10400	75	79	81	129	123	120	139	132	128	55° C
1	V	8	13500	14500	111	117	117	122	115	115	131	124	124	55° C

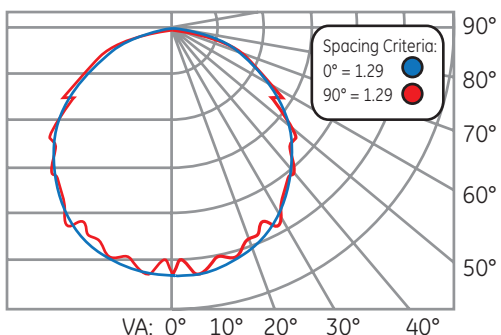
OPTICS BEAM	% OUTPUT
120° CLEAR	100%
120° DIFFUSE	97%
20°	93%
40°	92%
80°	98%
WIDE	98%

MODULE CONFIGURATION	MAX WEIGHT
4 Ft. 120-277V	8 lbs. max
4 Ft. 347/480V	11 lbs. max
8 Ft. 120-277V	16 lbs. max
8 Ft. 347/480V	19 lbs. max

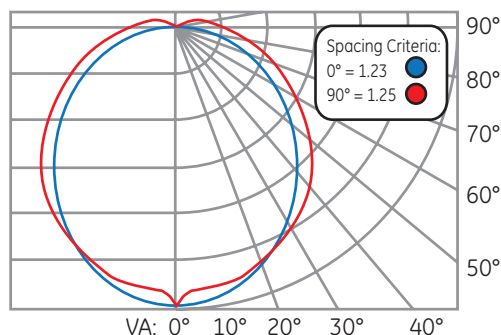
# Photometrics

## Optics for Common Applications

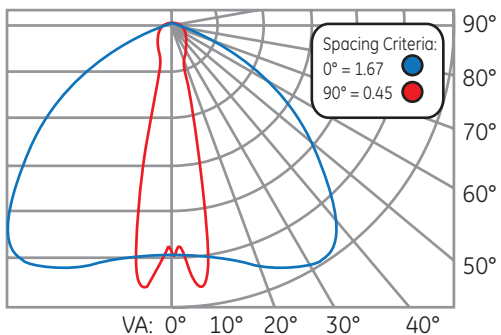
**Polar Candela Distribution  
120° (Clear) Full Beam Angle**



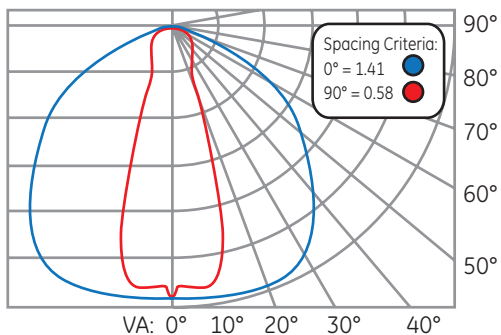
**Polar Candela Distribution  
120° (Diffuse) Full Beam Angle**



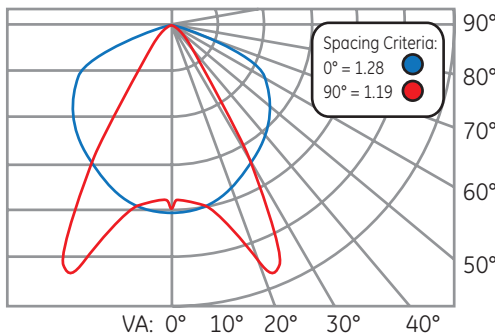
**Polar Candela Distribution  
20° Full Beam Angle**



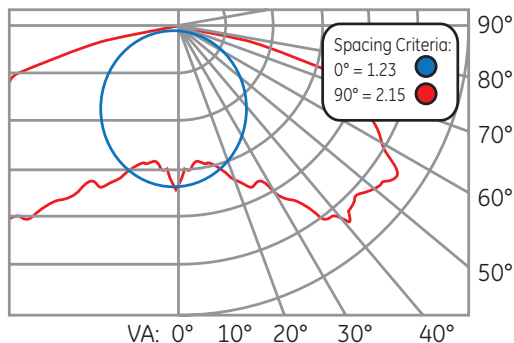
**Polar Candela Distribution  
40° Full Beam Angle**



**Polar Candela Distribution  
80° Full Beam Angle**



**Polar Candela Distribution  
Wide Beam Angle**

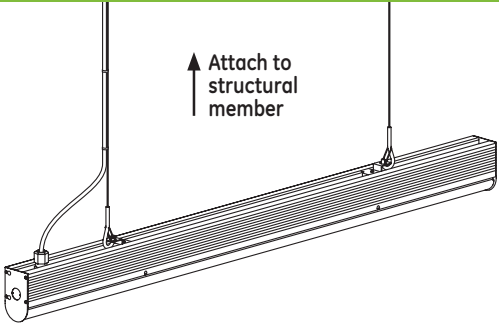
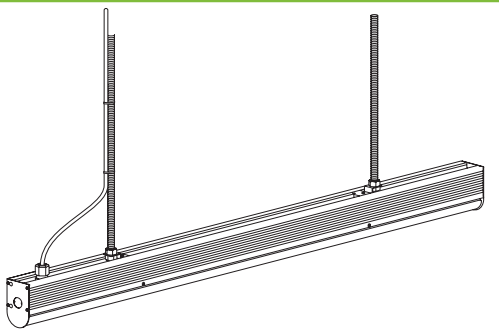
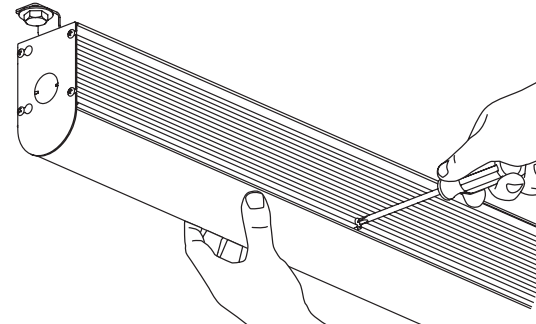
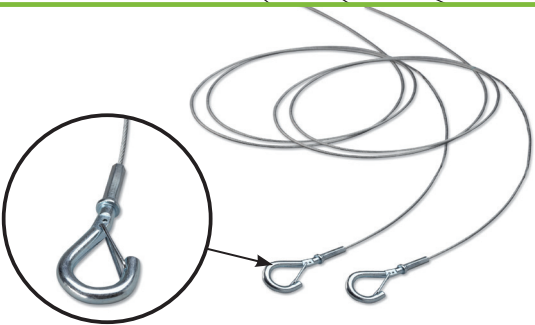


## Lens selection by application

The Albeo™ ALC5-Series optical reflector system enables LEDs to provide precise illumination where needed. Reflectors are designed for commercial & industrial applications where mounting height, fixture spacing & light levels help determine reflector selection. The following table outlines optics options and suggested application.

LENS TYPE	MOUNTING HEIGHT	SPACE TYPE
80°, 120°, Diffused, Wide Beam	Below 20 Feet	Open Floor Plan
20°, 40°	Below 20 Feet	Low Bay Aisles

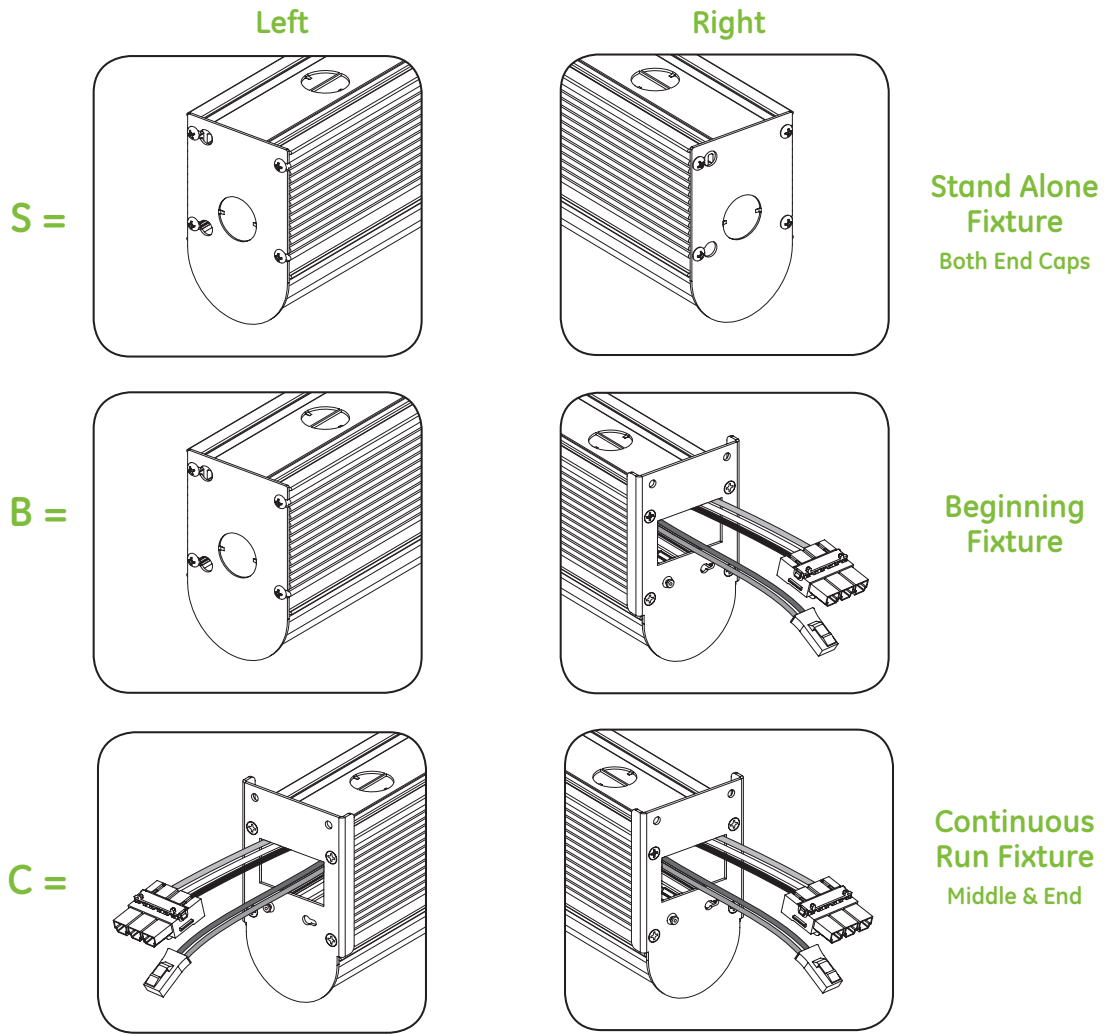
# Mounting & Accessories

MOUNTING OPTIONS	IMAGE	ORDER LOGIC CODE
<p><b>Standard Chain/Cable Mount</b> Available on all fixture configurations (chain not included). Cable w/ hook can be ordered as an accessory.</p>		<p>ST = Standard</p>
<p><b>Rod Mount (optional)</b> Available with all fixture configurations. Standard mounting option is rod mount ready. Attaches to 1/2" threaded rod (rod and nuts not included)</p>		<p>ST = Standard</p>
<p><b>Surface Mount (optional)</b> Available with all fixture configurations. Standard mounting option is surface mount ready.</p>		<p>ST = Standard</p>
<p><b>Cable with hook (optional)</b> Order separately. 5 ft., 10 ft., 15 ft., 20 ft. lengths available.</p>		<p>51 = Cable-Hook-05ft-Pair 52 = Cable-Hook-10ft-Pair 53 = Cable-Hook-15ft-Pair 54 = Cable-Hook-20ft-Pair Max Load: 200 lbs. per pair</p>

See "Installation Instructions" for mounting details.

# End Cap Configuration

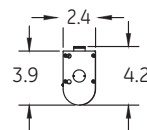
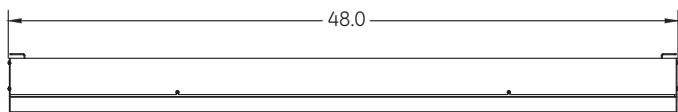
See page 3 for complete ordering number logic



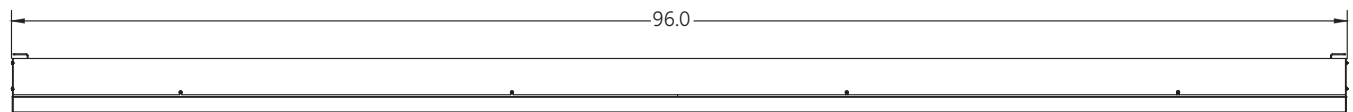
Each beginning fixture will ship with an extra end cap for the final fixture in the run.

## Product Dimensions

4 Ft.



8 Ft.



[www.gelighting.com](http://www.gelighting.com)

GE and the GE Monogram are trademarks of the General Electric Company. All other trademarks are the property of their respective owners. Information provided is subject to change without notice. All values are design or typical values when measured under laboratory conditions. GE Lighting and GE Lighting Solutions, LLC are businesses of the General Electric Company. © 2015 GE.

ALB025 (Rev 08/19/15)